

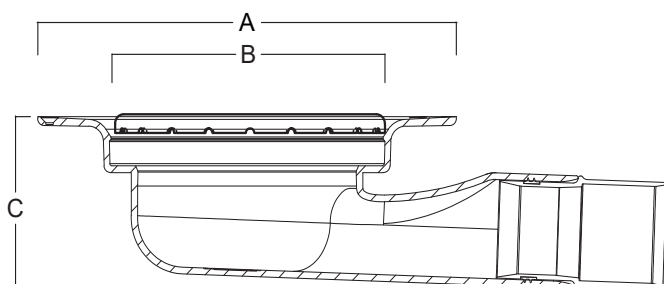
SDSD.0076 SharpDrain Vinyl DATA SHEET

Minimum floor depth (76mm) plastic vinyl horizontal drain which can be installed anywhere in a wetroom or be used as secondary drainage. Perfect for areas that have little floor depth available. The clamping ring securely holds the vinyl in place. Available with a white plastic or Brushed Stainless Steel Grate.

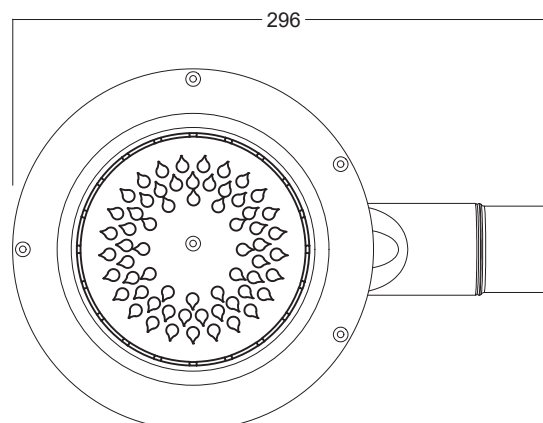


Model No.	Structural Length (A)	Visual Length (B)	Drain Depth (C)	Plastic Grate Kit Order Ref	Steel Grate Kit Order Ref
76	197	130 x 130	76	SDSD.0076PGV	SDSD.0076SGV

Side View



Plan View



Specification

MATERIAL Plastic (PP), Solvent Weld ABS Adapter	CAPACITY 48 l/min	TRAP Removable anti odour trap
USAGE Wetroom and secondary drainage	MEMBRANE Vinyl Floor	FLOOR CONSTRUCTION All