

## SDTL.0700 TILE LINE

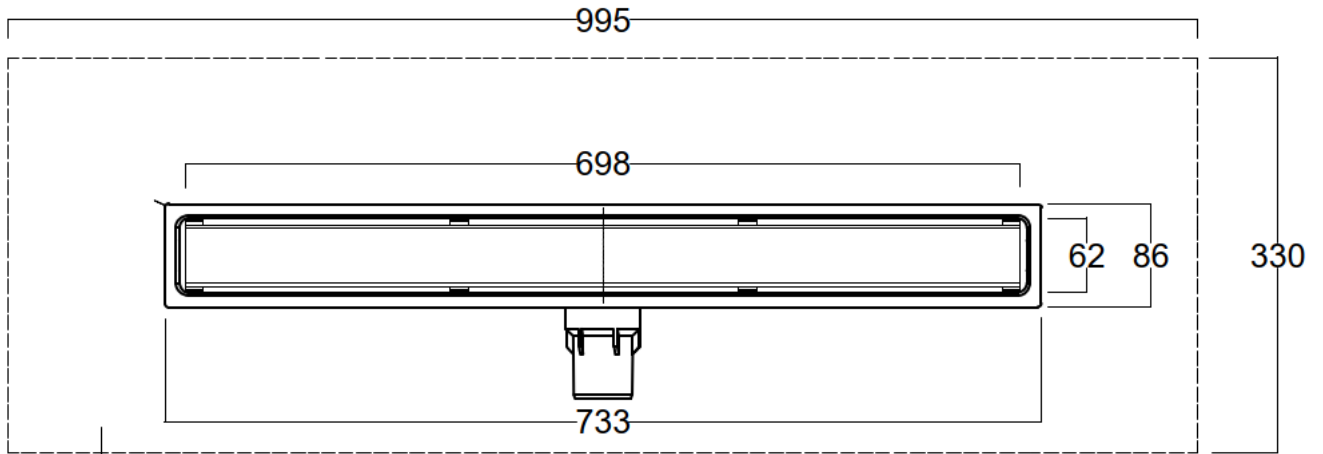
Low profile (72mm) linear drain with a 50mm water seal. Perfect for wet rooms that have a shallow floor depth. Tile Line allows you to glue a tile into the drain with no visible metal. Factory fitted membrane for added waterproof protection.



### Specifications

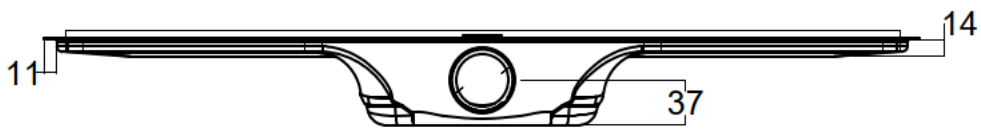
<b>MATERIAL</b> 1.25 mm stainless steel (316) PP (Plastic) 1 1/2" solvent weld adapter	<b>GRATING</b> Brushed Stainless Steel panel tile insert.	<b>CAPACITY</b> 32 l/min
<b>USAGE</b> Linear drain	<b>MEMBRANE</b> 330mm factory fitted sheet membrane	<b>FLOORING</b> Tiles
<b>WATER TRAP HEIGHT</b> 50mm	<b>REMOVABLE TRAP FOR CLEANING</b> Yes	

## SDTL.0700

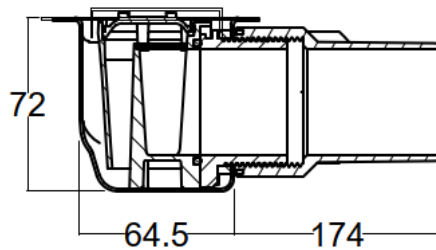


Factory Fitted Membrane

Plan



Front



Side