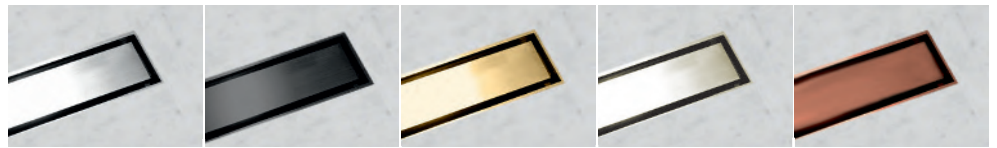
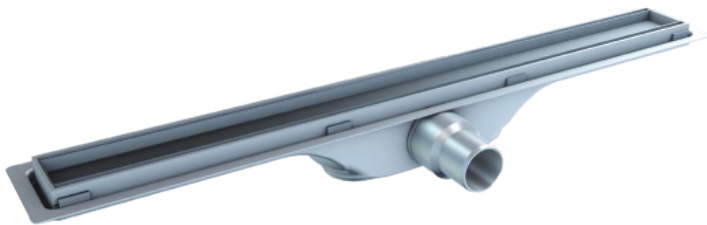


SDTP.0800 TILE INSERT & PANEL

Low profile (72mm) linear drain with a 50mm water seal. Perfect for wet rooms that have a shallow floor depth. Choice of coloured panels which can also be used as tile insert. Factory fitted membrane for added waterproof protection.

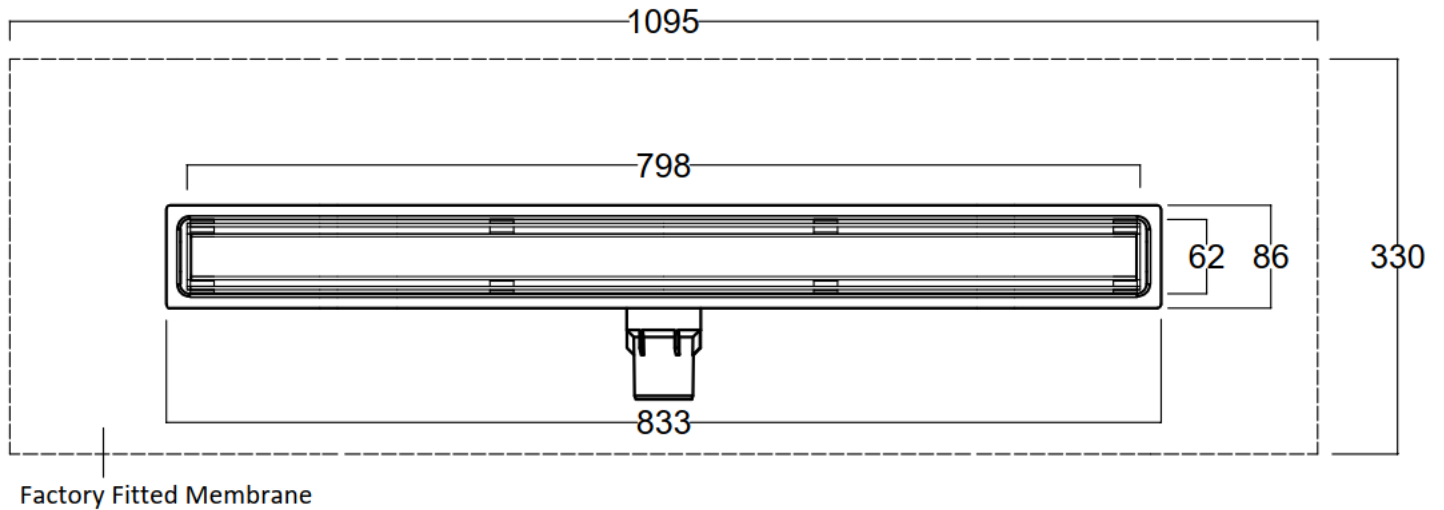


Product	Brushed Panel and Tile Insert	Black Panel and Tile Insert	Brass Panel and Tile Insert	Nickel Panel and Tile Insert	Bronze Panel and Tile Insert
Code	STDP.0800	STDP.0800BL	STDP.0800BS	STDP.0800NI	STDP.0800BZ

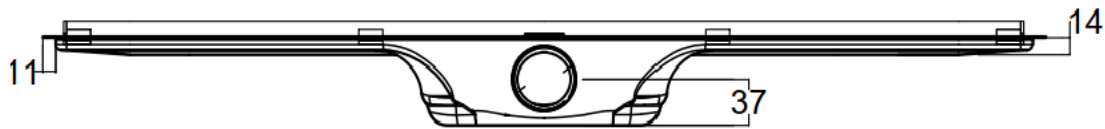
Specifications

MATERIAL 1.25 mm stainless steel (316) PP (Plastic) 1 1/2" solvent weld adapter	GRATING Brushed Stainless Steel panel and tile insert. PVD Coated colours	CAPACITY 32 l/min
USAGE Linear drain	MEMBRANE 330mm factory fitted sheet membrane	FLOORING Tiles
WATER TRAP HEIGHT 50mm	REMOVABLE TRAP FOR CLEANING Yes	

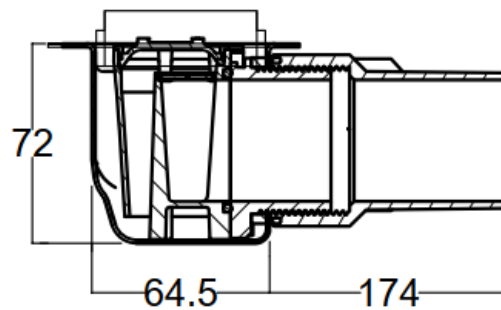
SDTP.0800



Plan



Front



Side