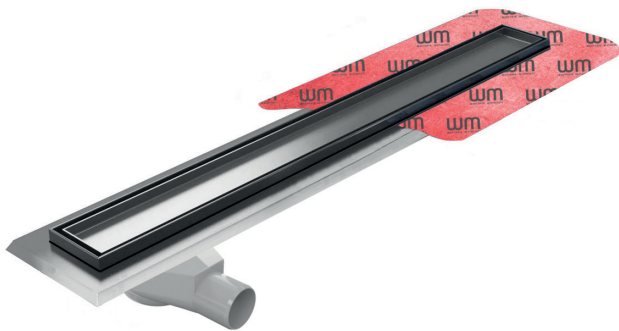


# SharpDrain® Pro | Linear Tile Insert / Panel

## PSDTP.0500

New and improved SharpDrain with 360 rotating offset outlet for tricky joists and easy connection. The drain can be rotated to have the outlet offset on the opposite site. Factory fitted membrane for added waterproof protection. Available as Brushed Panel or Steel Tile Insert.



### Specification

#### MATERIAL

Stainless Steel and Plastic

#### GRATING

Brushed Stainless Steel Panel  
and Tile Insert

#### CAPACITY

48 l/min

#### USAGE

Linear Drain

#### MEMBRANE

Factory Fitted Membrane

#### FLOORING

Tiles

#### WATER TRAP HEIGHT

50mm

#### REMOVABLE TRAP FOR CLEANING

Yes

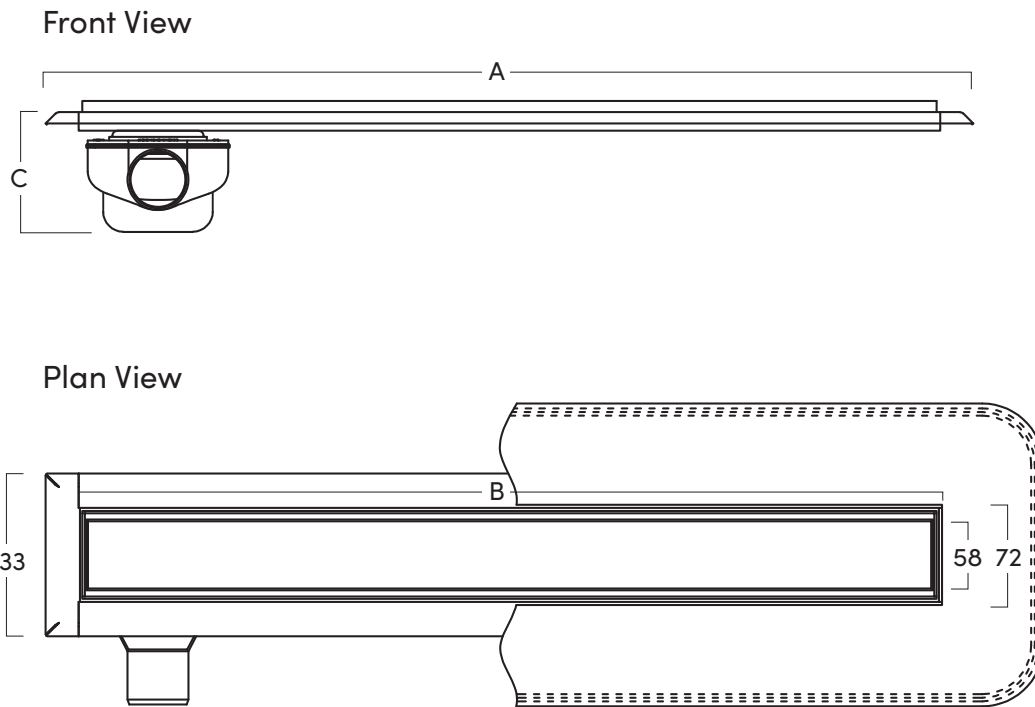
#### OUTLET

360° Rotating Outlet

# SharpDrain® Pro | Linear

Tile Insert / Panel

PSDTP.0500



STRUCTURAL LENGTH - A

560mm

VISUAL LENGTH - B

500mm

DRAIN DEPTH - C

99mm

Refer to technical drawings for more information.