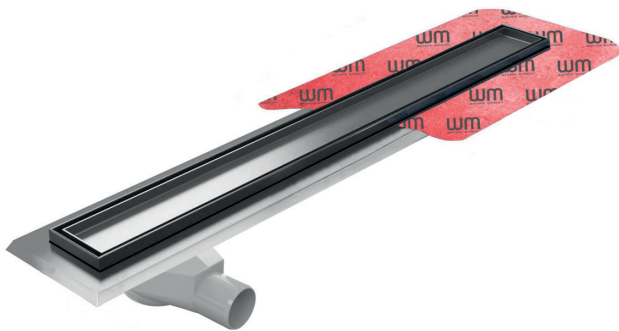


SharpDrain® Pro | Linear Tile Insert / Panel

PSDTP.1000

New and improved SharpDrain with 360 rotating offset outlet for tricky joists and easy connection. The drain can be rotated to have the outlet offset on the opposite site. Factory fitted membrane for added waterproof protection. Available as Brushed Panel or Steel Tile Insert.



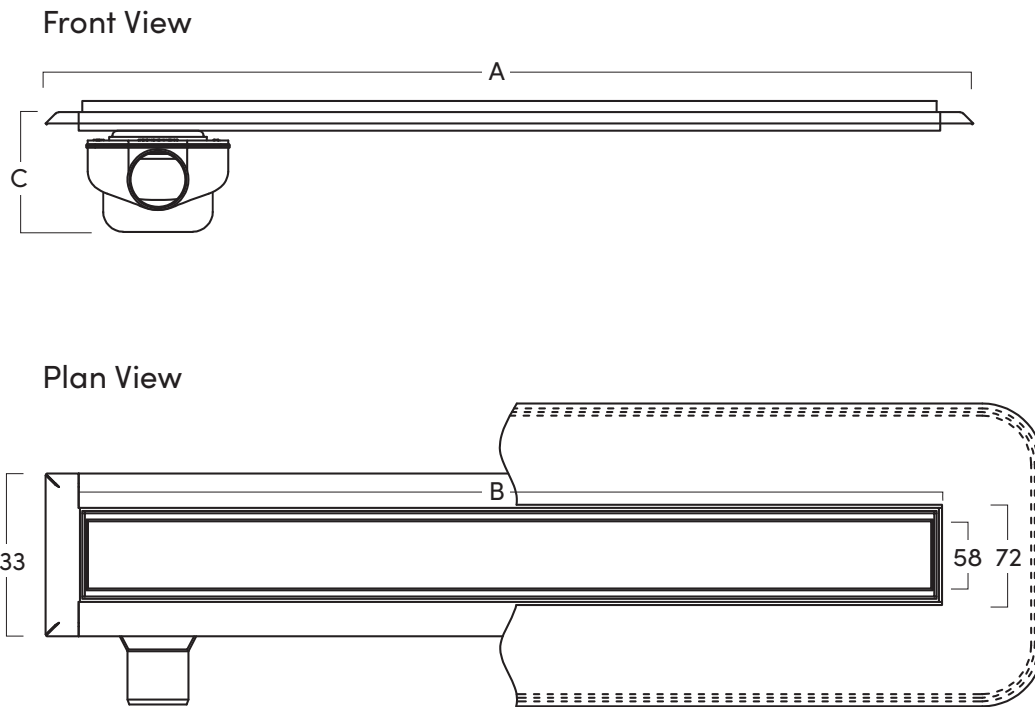
Specification

MATERIAL	GRATING	CAPACITY
Stainless Steel and Plastic	Brushed Stainless Steel Panel and Tile Insert	48 l/min
USAGE	MEMBRANE	FLOORING
Linear Drain	Factory Fitted Membrane	Tiles
WATER TRAP HEIGHT	REMOVABLE TRAP FOR CLEANING	OUTLET
50mm	Yes	360° Rotating Outlet

SharpDrain® Pro | Linear

Tile Insert / Panel

PSDTP.1000



STRUCTURAL LENGTH - A

1060mm

VISUAL LENGTH - B

1000mm

DRAIN DEPTH - C

99mm

Refer to technical drawings for more information.