

# 1004.1600K1M01 Low Profile Outlet DATA SHEET



## KIT CONTAINS

WALL MOUNTED DRAIN  
LOW PROFILE OUTLET  
CLASSICLINE FRAME  
ANNIVERSARIO GRATE

**WM | Wetroom Materials**

[www.wetroommaterials.com](http://www.wetroommaterials.com) [sales@wetroommaterials.com](mailto:sales@wetroommaterials.com)

UK: Derwentside, 25 Town Street, Duffield, Belper, Derbyshire, DE56 4EH T: +44 (0) 1332 840 820  
IRE: Unit E1 Ballymount Industrial Estate, Walkinstown, Dublin 12, D12 WR60 T: +353 (0) 1 297 3488

## 1004.1601 - 1600 Model Drain Body

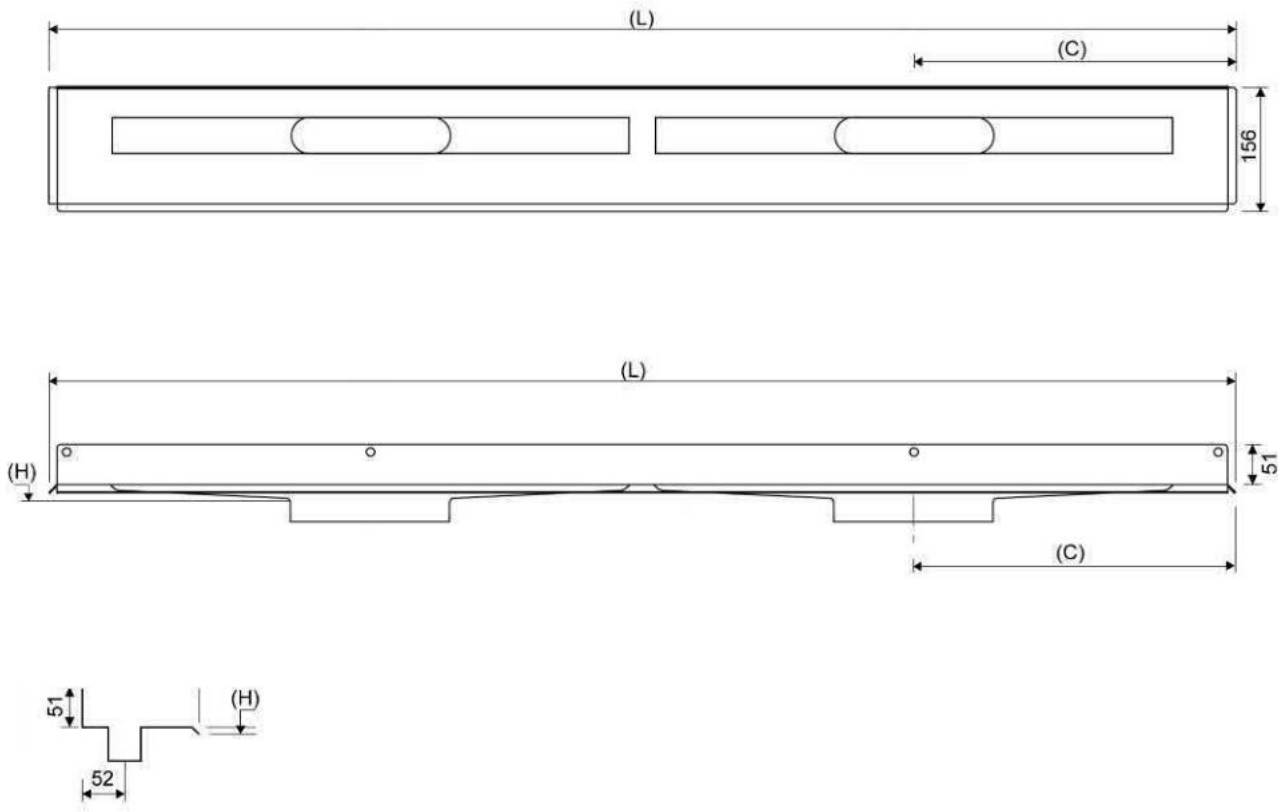
Line 1004

Wall Mounted Linear Drain fixed to wall for a very secure installation and to allow for a one way fall. Suitable for 25mm wall build up. For larger sizes, please contact Wet Room Materials. Can be freely positioned against rear wall, independent of any side walls.



### Specifications

|                           |                                |                                   |
|---------------------------|--------------------------------|-----------------------------------|
| <b>ITEM NUMBER</b>        | <b>GTIN NUMBER</b>             | <b>MATERIAL</b>                   |
| 1004.1601                 | 5707692008387                  | 1.5 mm stainless steel (AISI 304) |
| <b>USAGE</b>              | <b>SURFACE</b>                 | <b>MEMBRANE</b>                   |
| Linear drain              | Pickled                        | Liquid or sheet membrane          |
| <b>FLOOR CONSTRUCTION</b> | <b>FLOORING</b>                | <b>MOUNTING</b>                   |
| All                       | Tiles                          | 6 mm Pluks 6 mm Skruer. Torx 20   |
| <b>CENTER</b>             | <b>INSTALLATION LENGTH (L)</b> | <b>HEIGHT (H)</b>                 |
| 456 mm                    | 1709 mm                        | 18 mm                             |
| <b>LENGTH MODEL</b>       |                                |                                   |
| 1600                      |                                |                                   |



## 1417.0050 - Low Profile Outlet

Linear 1417.0050

Ø 50 mm horizontal drain

The odour barrier can be removed for cleaning

Can be rotated 180 degrees if a rear-facing outlet is required

Note: Odour barrier is VA-approved

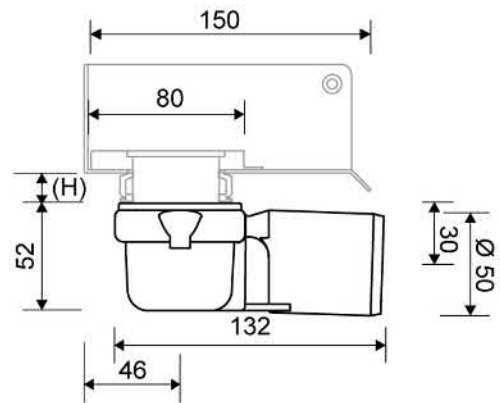
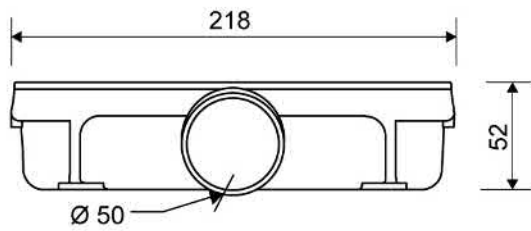
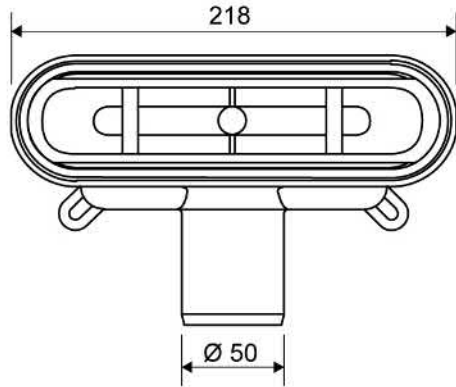


### Specifications

|                            |               |  |
|----------------------------|---------------|--|
| ITEM NUMBER                | GTIN NUMBER   | WEIGHT INCLUDING PACKAGING                                 |
| 1417.0050                  | 5707692007915 | 500 g  |
| WEIGHT EXCLUDING PACKAGING | MATERIAL      | USAGE  |
| 350 g                      | Plastic (PP)  | Line drain   |
| BARRIER                    | GASKET        | CAPACITY   |
| With (odour barrier)       | EPDM          | 0.6 l/s  |
| SIDE INLET                 | CENTER        | FITS DRAIN UNIT  |
| Without                    | 30 mm         | 1001, 1002, 1003, 1004, 1100, 3002, 3004, 5002, 5003, 4004 |

FITTING HEIGHTS - LINE FAUCETS 1001, 1002, 1003, 1004

| Ø       | Outlet direction | 300   | 600   | 700   | 800   | 900   | 1000  | 1200  |
|---------|------------------|-------|-------|-------|-------|-------|-------|-------|
| Ø 50 mm | Horizontal       | 64 mm | 68 mm | 69 mm | 70 mm | 71 mm | 72 mm | 74 mm |



## 1500.0812 - 800mm Classic Line Frame

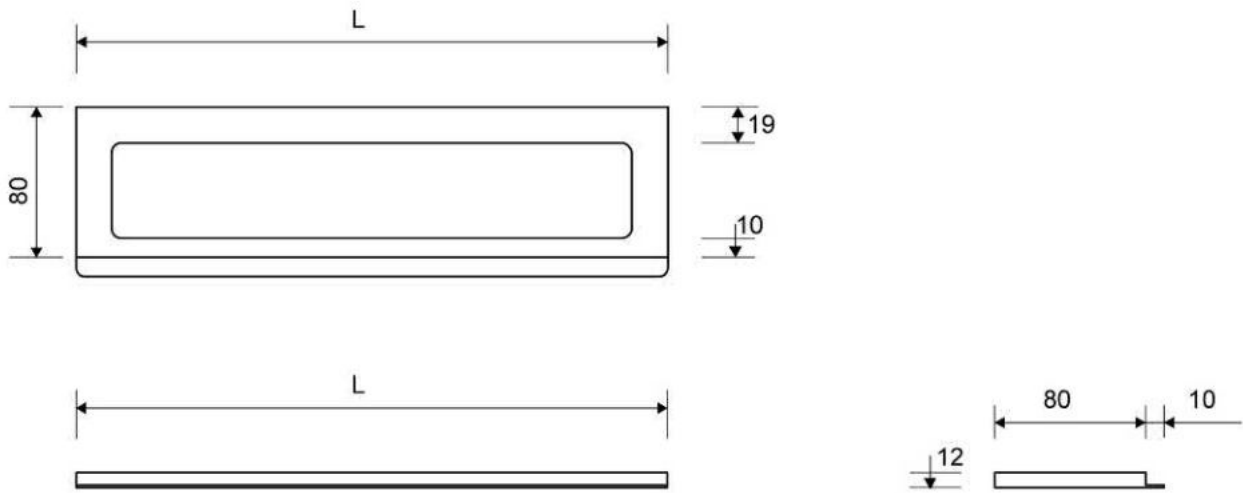
Line 1500

Brushed Stainless Steel Classicline Frame to be used with all Classicline grates. Also available with as 8 and 10mm frame heights (depending on thickness of floor tile)



### Specifications

|                            |  |                            |
|----------------------------|--|----------------------------|
| ITEM NUMBER                | GTIN NUMBER                              | WEIGHT INCLUDING PACKAGING |
| 1500.0812                  | 5707692003320                            | 1010 g                     |
| WEIGHT EXCLUDING PACKAGING | MATERIAL                                 | USAGE                      |
| 820 g                      | Stainless steel (AISI 304)               | Line drain                 |
| SURFACE                    | INSTALLATION LENGTH (L)                  | HEIGHT (H)                 |
| Brushed                    | 795 mm                                   | H 12 mm                    |
| LENGTH MODEL               | FITS DRAIN UNIT                          | INSERT                     |
| 800 mm                     | 1001, 1002, 1003, 1004, 1100, 5002, 5003 | Synthetic                  |

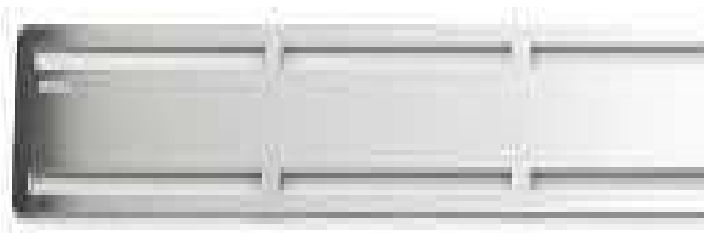


## 1606.0800 - 800mm Anniversario Grate

Line 1600

Brushed Stainless Steel grate to be placed onto Classicline Frame

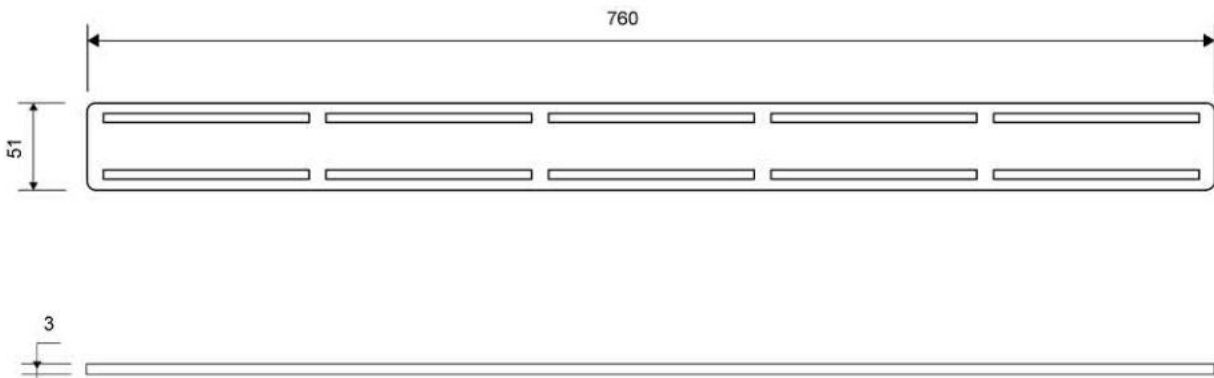
Contact Wet Room Materials for other grate options



### Specifications

|                                   |                            |                                   |
|-----------------------------------|----------------------------|-----------------------------------|
| <b>ITEM NUMBER</b>                | <b>LENGTH MODEL</b>        | <b>WEIGHT INCLUDING PACKAGING</b> |
| 1606.0800                         | 800 mm                     | 280 g                             |
| <b>WEIGHT EXCLUDING PACKAGING</b> | <b>MATERIAL</b>            | <b>SURFACE</b>                    |
| 240 g                             | Stainless steel (AISI 304) | Brushed                           |





**1606.0800**

Products