

3004.0900K1M01 Low Profile Outlet DATA SHEET



KIT CONTAINS

FREESTANDING DRAIN
INSTALLATION FEET
LOW PROFILE OUTLET
CLASSICLINE FRAME
ANNIVERSARIO GRATE

WM | Wetroom Materials

www.wetroommaterials.com sales@wetroommaterials.com

UK: Derwentside, 25 Town Street, Duffield, Belper, Derbyshire, DE56 4EH T: +44 (0) 1332 840 820
IRE: Unit E1 Ballymount Industrial Estate, Walkinstown, Dublin 12, D12 WR60 T: +353 (0) 1 297 3488

3004.0900 - 900 Model Drain Body

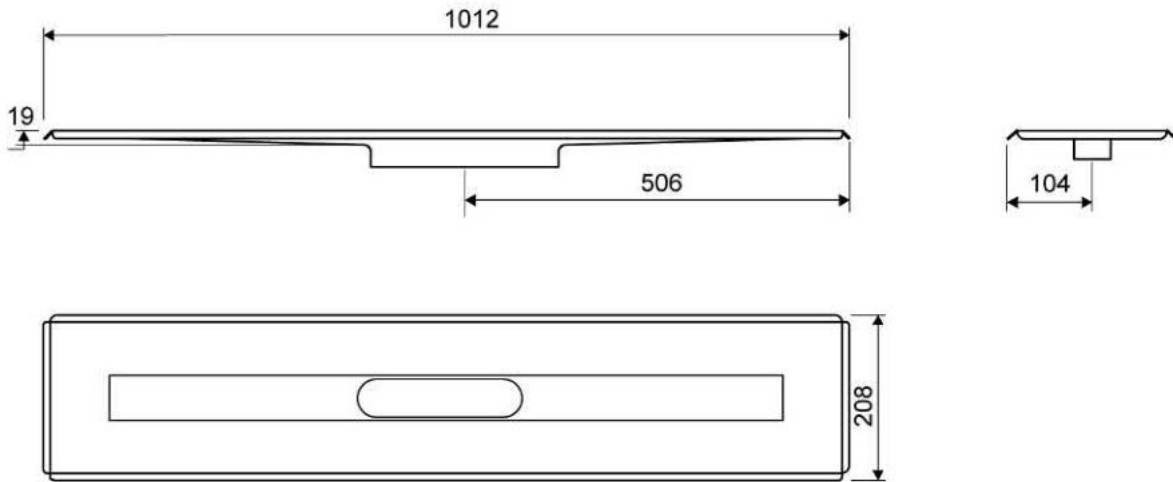
Line 3004

For shower cubicle with no permanent walls



Specifications

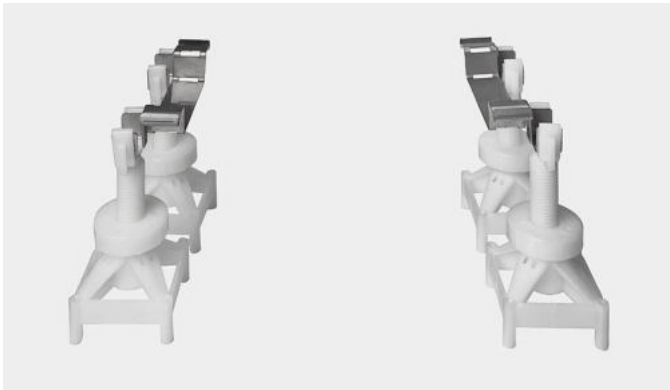
| | | |
|----------------------------|-----------------------------------|----------------------------|
| ITEM NUMBER | GTIN NUMBER | WEIGHT INCLUDING PACKAGING |
| 3004.0900 | 5707692006147 | 4200 g |
| WEIGHT EXCLUDING PACKAGING | MATERIAL | USAGE |
| 4000 g | 1,5 mm stainless steel (AISI 304) | Line drain |
| SURFACE | MEMBRANE | FLOOR CONSTRUCTION |
| Pickled | Liquid or sheet membrane | All |
| FLOORING | MOUNTING | CENTER |
| Tiles | 6 mm plugs 6 mm screws. Torx 20 | 506 mm |
| INSTALLATION LENGTH (L) | HEIGHT (H) | LENGTH MODEL |
| 1012 mm | 19 mm | 900 mm |



3004.0900

Height Adjustable Installation Feet

Height-adjustable feet (120-220 mm) for installation in concrete.
included with 3004 Unidrain.



1417.0050 - Low Profile Outlet

Linear 1417.0050

Ø 50 mm horizontal drain

The odour barrier can be removed for cleaning

Can be rotated 180 degrees if a rear-facing outlet is required

Note: Odour barrier is VA-approved



Specifications

| | | |
|----------------------------|---------------|--|
| ITEM NUMBER | GTIN NUMBER | WEIGHT INCLUDING PACKAGING |
| 1417.0050 | 5707692007915 | 500 g |
| WEIGHT EXCLUDING PACKAGING | MATERIAL | USAGE |
| 350 g | Plastic (PP) | Line drain |
| BARRIER | GASKET | CAPACITY |
| With (odour barrier) | EPDM | 0.6 l/s |
| SIDE INLET | CENTER | FITS DRAIN UNIT |
| Without | 30 mm | 1001, 1002, 1003, 1004, 1100, 3002, 3004, 5002, 5003, 4004 |

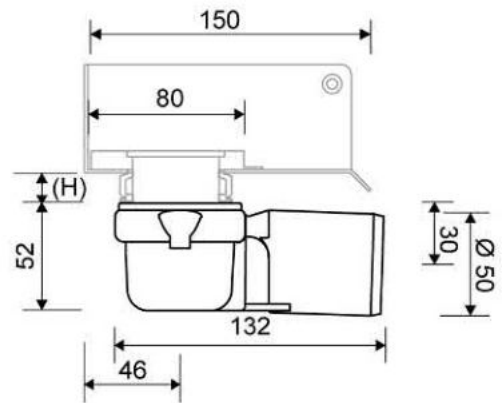
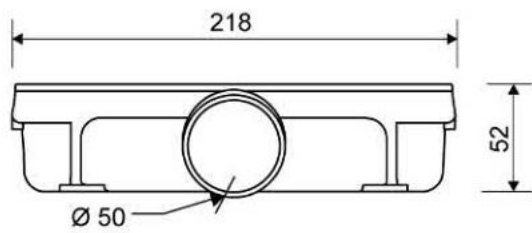
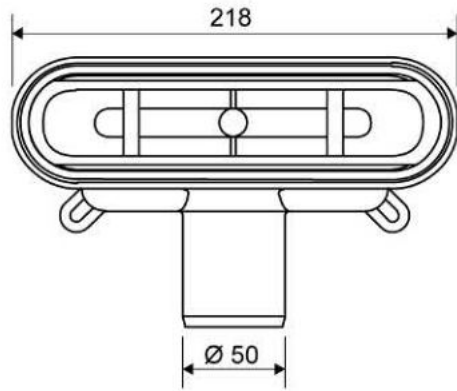
FITTING HEIGHTS - LINE FAUCETS 1001, 1002, 1003, 1004

| Ø | Outlet direction | 300 | 600 | 700 | 800 | 900 | 1000 | 1200 |
|---------|------------------|-------|-------|-------|-------|-------|-------|-------|
| Ø 50 mm | Horizontal | 64 mm | 68 mm | 69 mm | 70 mm | 71 mm | 72 mm | 74 mm |

WM | Wetroom Materials

www.wetroommaterials.com sales@wetroommaterials.com

UK: Derwentside, 25 Town Street, Duffield, Belper, Derbyshire, DE56 4EH T: +44 (0) 1332 840 820
IRE: Unit E1 Ballymount Industrial Estate, Walkinstown, Dublin 12, D12 WR60 T: +353 (0) 1 297 3488



3500.0912 - 900 Classicline Frame

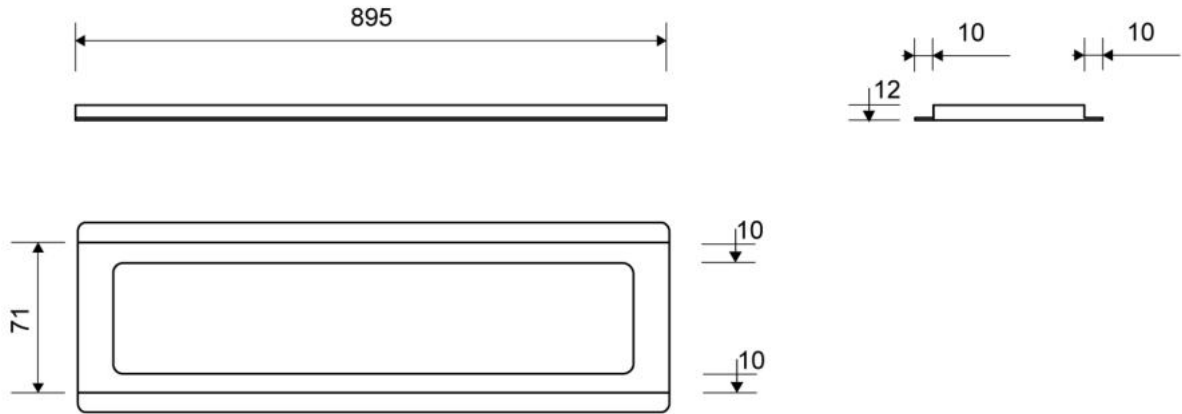
Line 3500 | ClassicLine

Available in 8, 10 and 12 mm heights (depending on the thickness of the floor tile)



Specifications

| | | |
|----------------------------|----------------------------|----------------------------|
| ITEM NUMBER | GTIN NUMBER | WEIGHT INCLUDING PACKAGING |
| 3500.0912 | 5707692006239 | 900 g |
| WEIGHT EXCLUDING PACKAGING | MATERIAL | USAGE |
| 790 g | Stainless steel (AISI 304) | Line drain |
| SURFACE | INSTALLATION LENGTH (L) | HEIGHT (H) |
| Brushed | 895 mm | H 12 mm |
| LENGTH MODEL | FITS DRAIN UNIT | INSERT |
| 900 mm | 3002, 3004 | Synthetic |



3500.0912

Products

1606.0900 - 900 Anniversario Grate

Line 1600

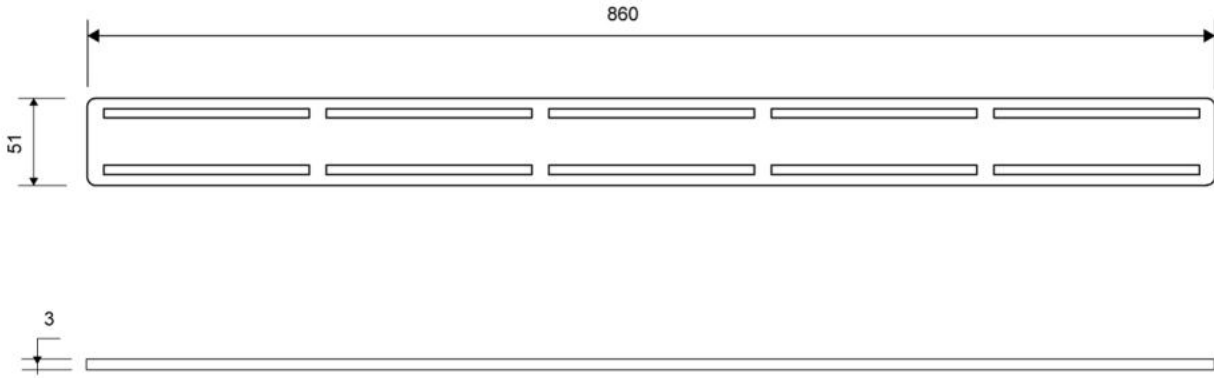
Only for use with ClassicLine frame

To ensure a snug fit, the grating is placed on a countersunk bearing inside the frame



Specifications

| | | |
|-----------------------------------|----------------------------|--|
| ITEM NUMBER | GTIN NUMBER | WEIGHT INCLUDING PACKAGING |
| 1606.0900 | 5707692008257 | 840 g |
| WEIGHT EXCLUDING PACKAGING | MATERIAL | USAGE |
| 800 g | Stainless steel (AISI 304) | Line drain |
| SURFACE | LENGTH MODEL | DIMENSIONS |
| Brushed | 900 mm | 3 mm solid3 mm solid3 mm solid3 mm solid3 mm solid |



1606.0900

Products