



## KIT CONTAINS

FREESTANDING DRAIN  
INSTALLATION FEET  
MULTI DIRECTIONAL OUTLET  
CLASSICLINE FRAME  
ANNIVERSARIO GRATE



**WM | Wetroom Materials**

[www.wetroommaterials.com](http://www.wetroommaterials.com) [sales@wetroommaterials.com](mailto:sales@wetroommaterials.com)

UK: Derwentside, 25 Town Street, Duffield, Belper, Derbyshire, DE56 4EH T: +44 (0) 1332 840 820  
IRE: Unit E1 Ballymount Industrial Estate, Walkinstown, Dublin 12, D12 WR60 T: +353 (0) 1 297 3488

## 3004.0300 - 300 Model Drain Body

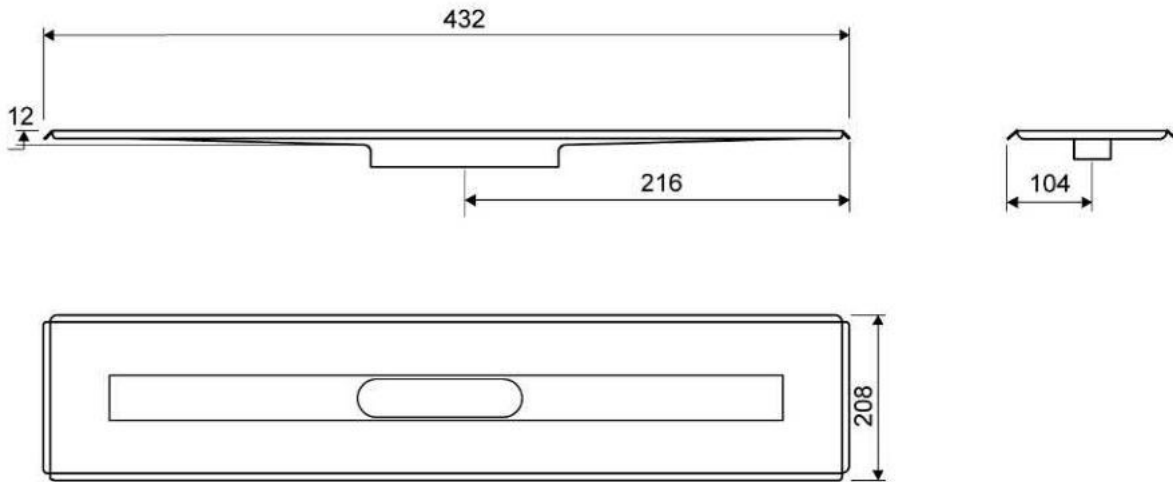
Line 3004

For shower cubicle with no permanent walls



### Specifications

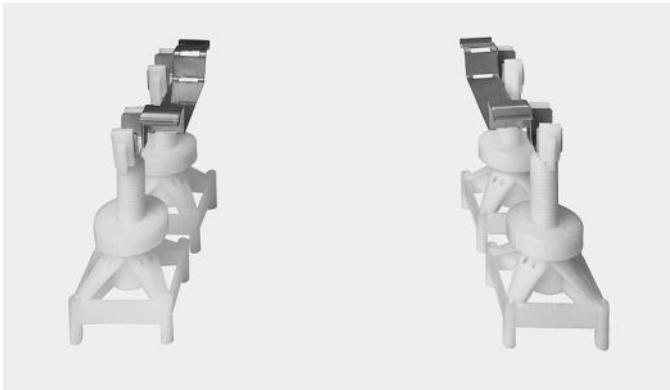
|                            |                                   |                            |
|----------------------------|-----------------------------------|----------------------------|
| ITEM NUMBER                | GTIN NUMBER                       | WEIGHT INCLUDING PACKAGING |
| 3004.0300                  | 5707692006123                     | 2300 g                     |
| WEIGHT EXCLUDING PACKAGING | MATERIAL                          | USAGE                      |
| 2040 g                     | 1,5 mm stainless steel (AISI 304) | Line drain                 |
| SURFACE                    | MEMBRANE                          | FLOOR CONSTRUCTION         |
| Pickled                    | Liquid or sheet membrane          | All                        |
| FLOORING                   | MOUNTING                          | CENTER                     |
| Tiles                      | 6 mm plugs 6 mm screws. Torx 20   | 216 mm                     |
| INSTALLATION LENGTH (L)    | HEIGHT (H)                        | LENGTH MODEL               |
| 432 mm                     | 12 mm                             | 300 mm                     |



**3004.0300**

## Height Adjustable Installation Feet

Height-adjustable feet (120-220 mm) for installation in concrete.  
included with 3004 Unidrain.



## 1416.0050 - Multi Directional Outlet

Line 1416.0050

Ø 50 mm horizontal drain

Can be rotated 180 degrees if a rear-facing outlet is required.

Note two drains. Cannot be used as an inlet.

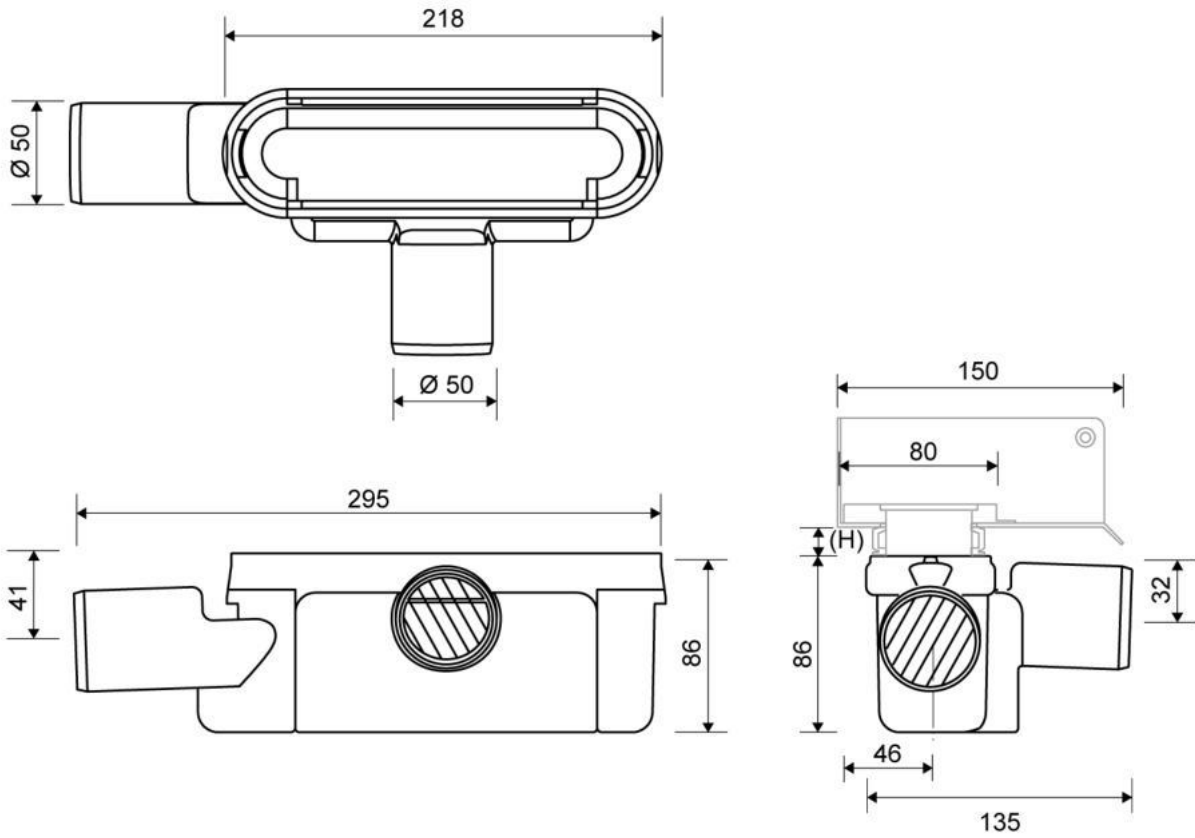


### Specifications

|                            |               |  |
|----------------------------|---------------|--|
| ITEM NUMBER                | GTIN NUMBER   | WEIGHT INCLUDING PACKAGING                                 |
| 1416.0050                  | 5707692012520 | 505 g  |
| WEIGHT EXCLUDING PACKAGING | MATERIAL      | USAGE  |
| 312 g                      | Plastic (PP)  | Line drain   |
| BARRIER                    | GASKET        | CAPACITY   |
| With                       | EPDM          | 0,8 l/s  |
| SIDE INLET                 | CENTER        | FITS DRAIN UNIT  |
| Without                    | 32 mm         | 1001, 1002, 1003, 1004, 1100, 3002, 3004, 5002, 5003, 4004 |

#### FITTING HEIGHTS - LINE FAUCETS 1001, 1002, 1003, 1004

| Ø       | Outlet direction | 300   | 600    | 700    | 800    | 900    | 1000   | 1200   |
|---------|------------------|-------|--------|--------|--------|--------|--------|--------|
| Ø 50 mm | Horizontal       | 98 mm | 102 mm | 103 mm | 104 mm | 105 mm | 106 mm | 108 mm |



**WM | Wetroom Materials**

[www.wetroommaterials.com](http://www.wetroommaterials.com) [sales@wetroommaterials.com](mailto:sales@wetroommaterials.com)

UK: Derwentside, 25 Town Street, Duffield, Belper, Derbyshire, DE56 4EH T: +44 (0) 1332 840 820  
IRE: Unit E1 Ballymount Industrial Estate, Walkinstown, Dublin 12, D12 WR60 T: +353 (0) 1 297 3488

## 3500.0312 - Classic Line Frame

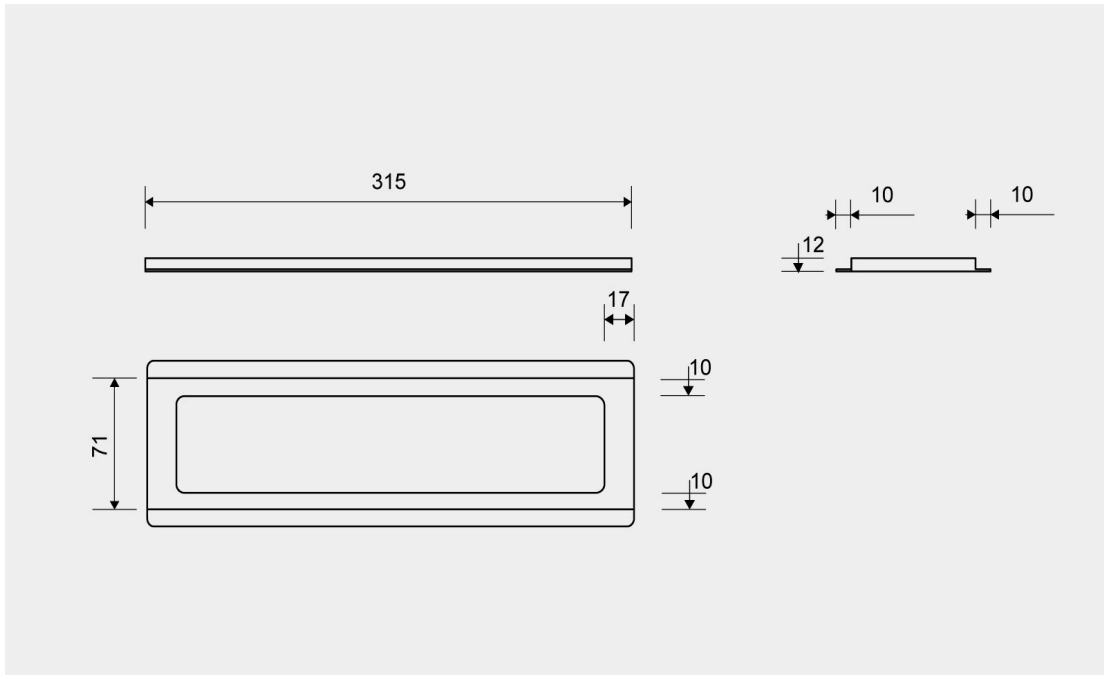
Line 3500 | ClassicLine

Available in 8, 10 and 12 mm heights (depending on the thickness of the floor tile)



### Specifications

|                                   |                                |                                   |
|-----------------------------------|--------------------------------|-----------------------------------|
| <b>ITEM NUMBER</b>                | <b>INSERT</b>                  | <b>WEIGHT INCLUDING PACKAGING</b> |
| 3500.0212                         | Synthetic                      | 300 g                             |
| <b>WEIGHT EXCLUDING PACKAGING</b> | <b>MATERIAL</b>                | <b>USAGE</b>                      |
| 220 g                             | Stainless steel (AISI 304)     | Line drain                        |
| <b>SURFACE</b>                    | <b>INSTALLATION LENGTH (L)</b> | <b>HEIGHT (H)</b>                 |
| Brushed                           | 295 mm                         | H 12 mm                           |
| <b>LENGTH MODEL</b>               | <b>FITS DRAIN UNIT</b>         |                                   |
| 300 mm                            | 3002, 3004                     |                                   |



**3500.0312**

Products



## 1606.0300 - 300mm Anniversario Grate

Line 1600

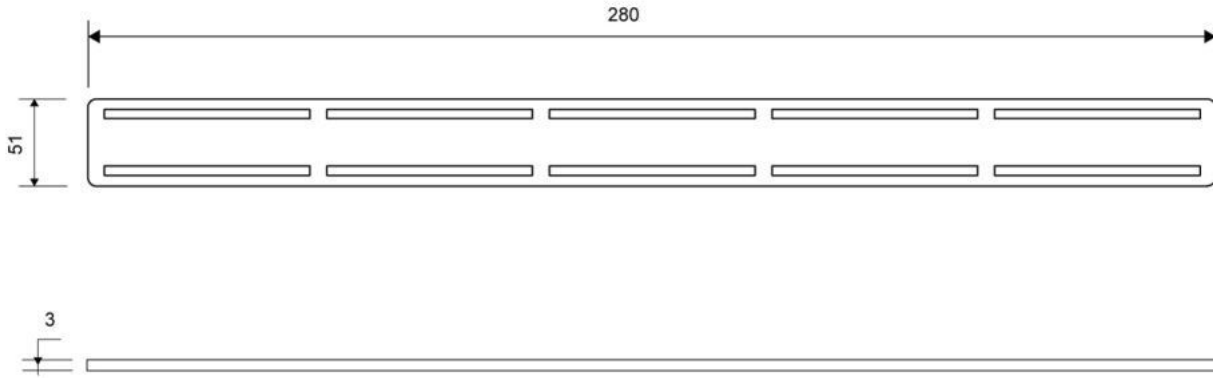
Only for use with ClassicLine frame

To ensure a snug fit, the grating is placed on a countersunk bearing inside the frame



### Specifications

|                            |                            |  |
|----------------------------|----------------------------|--|
| ITEM NUMBER                | GTIN NUMBER                | WEIGHT INCLUDING PACKAGING                         |
| 1606.0300                  | 5707692008226              | 280 g  |
| WEIGHT EXCLUDING PACKAGING | MATERIAL                   | USAGE  |
| 240 g                      | Stainless steel (AISI 304) | Line drain   |
| SURFACE                    | LENGTH MODEL               | DIMENSIONS   |
| Brushed                    | 300 mm                     | 3 mm solid3 mm solid3 mm solid3 mm solid3 mm solid |



**1606.0300**

Products