

# 3004.0300K2M01 Low Profile Outlet DATA SHEET



## KIT CONTAINS

FREESTANDING DRAIN  
INSTALLATION FEET  
LOW PROFILE OUTLET  
HIGHLINE CUSTOM

## 3004.0300 - 300 Model Drain Body

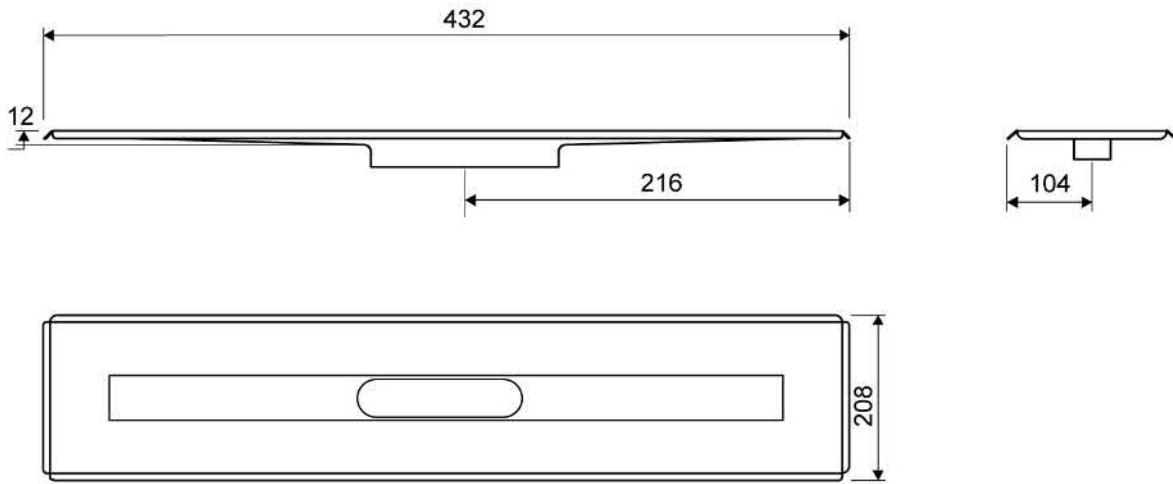
Line 3004

For shower cubicle with no permanent walls



### Specifications

|                                   |                                   |                                   |
|-----------------------------------|-----------------------------------|-----------------------------------|
| <b>ITEM NUMBER</b>                | <b>GTIN NUMBER</b>                | <b>WEIGHT INCLUDING PACKAGING</b> |
| 3004.0300                         | 5707692006123                     | 2300 g                            |
| <b>WEIGHT EXCLUDING PACKAGING</b> | <b>MATERIAL</b>                   | <b>USAGE</b>                      |
| 2040 g                            | 1,5 mm stainless steel (AISI 304) | Line drain                        |
| <b>SURFACE</b>                    | <b>MEMBRANE</b>                   | <b>FLOOR CONSTRUCTION</b>         |
| Pickled                           | Liquid or sheet membrane          | All                               |
| <b>FLOORING</b>                   | <b>MOUNTING</b>                   | <b>CENTER</b>                     |
| Tiles                             | 6 mm plugs 6 mm screws. Torx 20   | 216 mm                            |
| <b>INSTALLATION LENGTH (L)</b>    | <b>HEIGHT (H)</b>                 | <b>LENGTH MODEL</b>               |
| 432 mm                            | 12 mm                             | 300 mm                            |



**3004.0300**

## Height Adjustable Installation Feet

Height-adjustable feet (120-220 mm) for installation in concrete.  
included with 3004 Unidrain.



## 1417.0050 - Low Profile Outlet

Linear 1417.0050

Ø 50 mm horizontal drain

The odour barrier can be removed for cleaning

Can be rotated 180 degrees if a rear-facing outlet is required

Note: Odour barrier is VA-approved

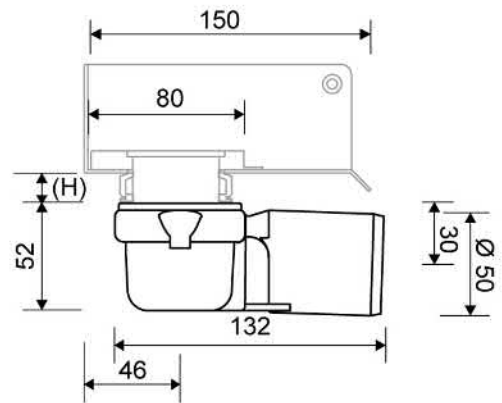
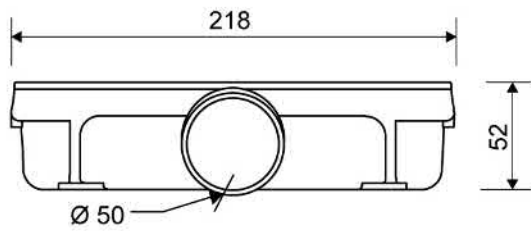
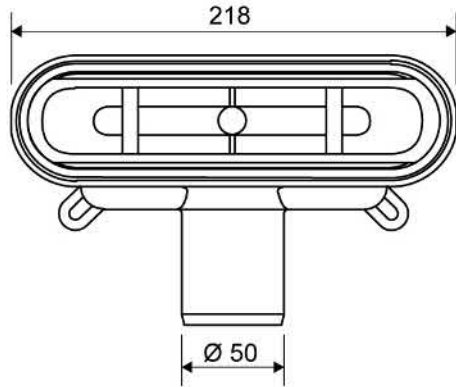


### Specifications

|                            |               |                                                            |
|----------------------------|---------------|------------------------------------------------------------|
| ITEM NUMBER                | GTIN NUMBER   | WEIGHT INCLUDING PACKAGING                                 |
| 1417.0050                  | 5707692007915 | 500 g                                                      |
| WEIGHT EXCLUDING PACKAGING | MATERIAL      | USAGE                                                      |
| 350 g                      | Plastic (PP)  | Line drain                                                 |
| BARRIER                    | GASKET        | CAPACITY                                                   |
| With (odour barrier)       | EPDM          | 0.6 l/s                                                    |
| SIDE INLET                 | CENTER        | FITS DRAIN UNIT                                            |
| Without                    | 30 mm         | 1001, 1002, 1003, 1004, 1100, 3002, 3004, 5002, 5003, 4004 |

FITTING HEIGHTS - LINE FAUCETS 1001, 1002, 1003, 1004

| Ø       | Outlet direction | 300   | 600   | 700   | 800   | 900   | 1000  | 1200  |
|---------|------------------|-------|-------|-------|-------|-------|-------|-------|
| Ø 50 mm | Horizontal       | 64 mm | 68 mm | 69 mm | 70 mm | 71 mm | 72 mm | 74 mm |



## 1950.0300 - 300 Model Custom Solution

### HighLine | Custom

The set consists of a Highline Custom base to place tile onto, heightener set and screws.  
 Tile can overhang the Highline Custom to achieve a larger visual length.  
 Consult with tile manufacturer for strength of tile and maximum overhang.  
 Must be assembled before mounting.



### Specifications

|                            |                            |                            |
|----------------------------|----------------------------|----------------------------|
| ITEM NUMBER                | GTIN NUMBER                | WEIGHT INCLUDING PACKAGING |
| 1950.0300                  | 5707692005324              | 720 g                      |
| WEIGHT EXCLUDING PACKAGING | MATERIAL                   | USAGE                      |
| 660 g                      | Stainless steel (AISI 304) | Line drain                 |
| SURFACE                    | LENGTH MODEL               | HEIGHTENER SET             |
| Brushed                    | 300 mm                     | Plastic (PE)               |
| LENGTH WITH/WITHOUT FRAME  |                            |                            |
| 253/315 mm                 |                            |                            |

