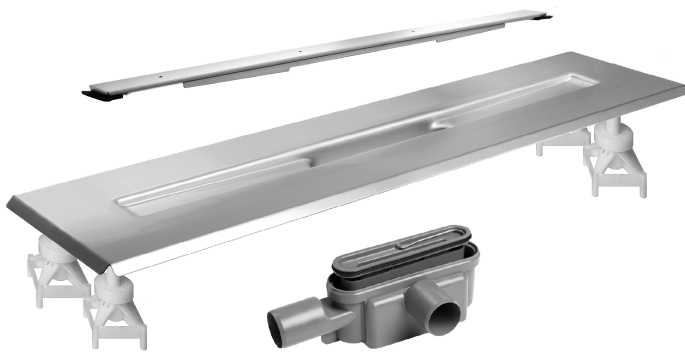


# 3004.0300K2 Standard Outlet DATA SHEET



## KIT CONTAINS

FREESTANDING DRAIN  
INSTALLATION FEET  
MULTI DIRECTIONAL OUTLET  
HIGHLINE CUSTOM

## 3004.0300 - 300 Model Drain Body

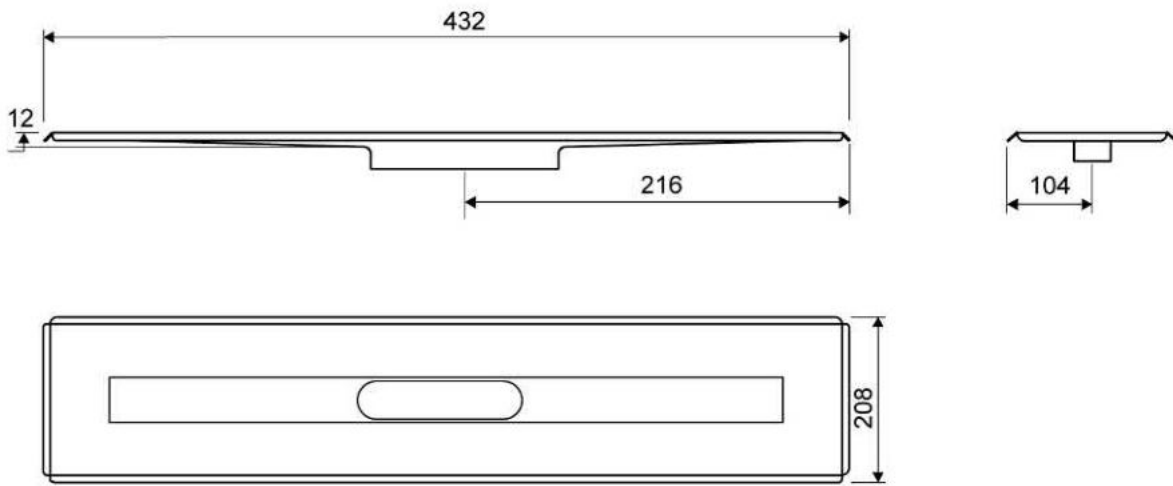
Line 3004

For shower cubicle with no permanent walls



### Specifications

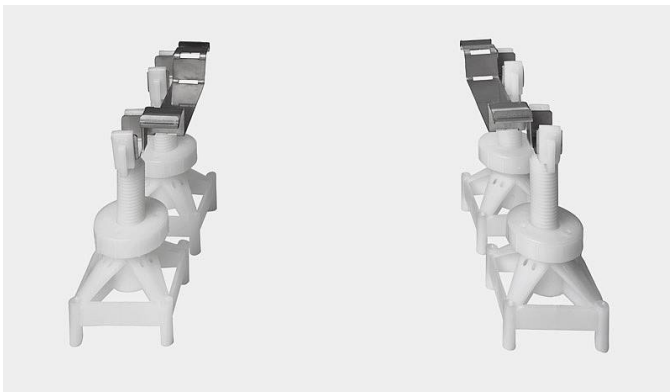
<b>ITEM NUMBER</b>	<b>GTIN NUMBER</b>	<b>WEIGHT INCLUDING PACKAGING</b>
3004.0300	5707692006123	2300 g
<b>WEIGHT EXCLUDING PACKAGING</b>	<b>MATERIAL</b>	<b>USAGE</b>
2040 g	1,5 mm stainless steel (AISI 304)	Line drain
<b>SURFACE</b>	<b>MEMBRANE</b>	<b>FLOOR CONSTRUCTION</b>
Pickled	Liquid or sheet membrane	All
<b>FLOORING</b>	<b>MOUNTING</b>	<b>CENTER</b>
Tiles	6 mm plugs 6 mm screws. Torx 20	216 mm
<b>INSTALLATION LENGTH (L)</b>	<b>HEIGHT (H)</b>	<b>LENGTH MODEL</b>
432 mm	12 mm	300 mm



3004.0300

## Height Adjustable Installation Feet

Height-adjustable feet (120-220 mm) for installation in concrete.  
included with 3004 Unidrain.



## 1416.0050 - Multi Directional Outlet

Line 1416.0050

Ø 50 mm horizontal drain

Can be rotated 180 degrees if a rear-facing outlet is required.

Note two drains. Cannot be used as an inlet.

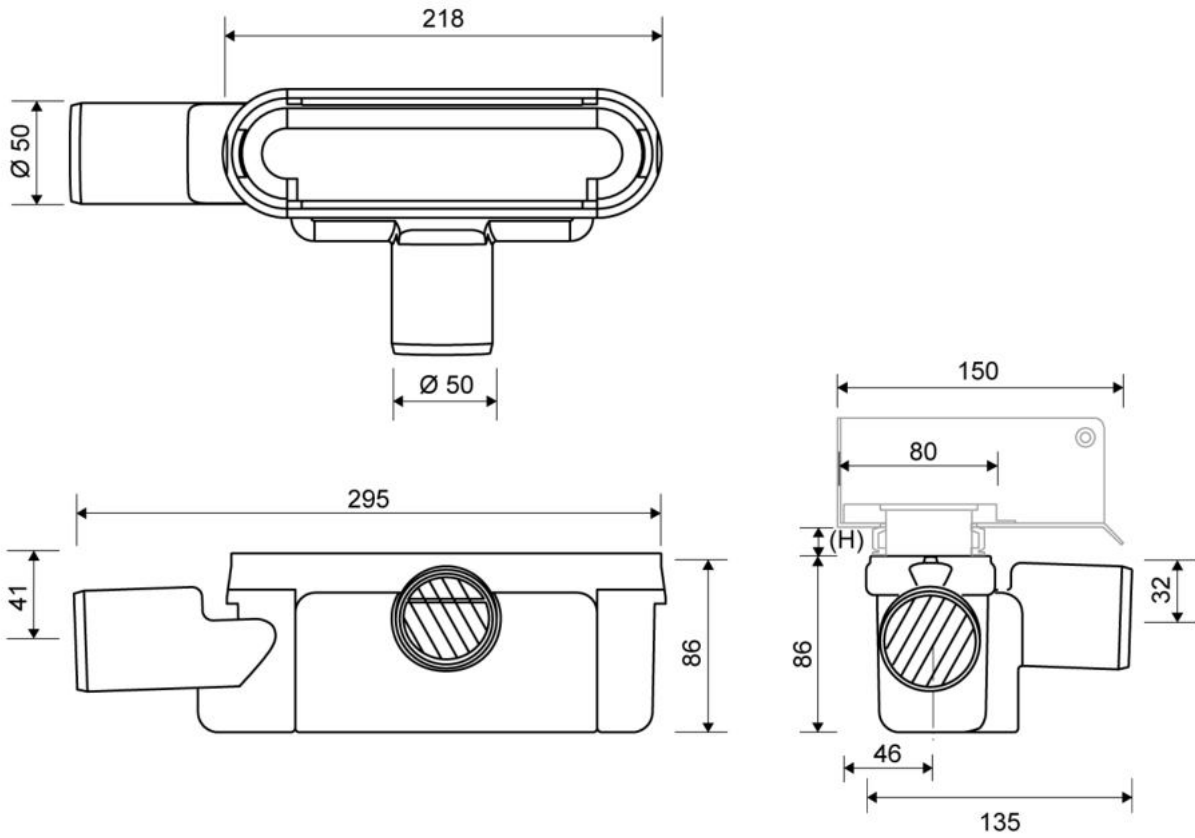


### Specifications

ITEM NUMBER	GTIN NUMBER	WEIGHT INCLUDING PACKAGING
1416.0050	5707692012520	505 g
WEIGHT EXCLUDING PACKAGING	MATERIAL	USAGE
312 g	Plastic (PP)	Line drain
BARRIER	GASKET	CAPACITY
With	EPDM	0,8 l/s
SIDE INLET	CENTER	FITS DRAIN UNIT
Without	32 mm	1001, 1002, 1003, 1004, 1100, 3002, 3004, 5002, 5003, 4004

#### FITTING HEIGHTS - LINE FAUCETS 1001, 1002, 1003, 1004

Ø	Outlet direction	300	600	700	800	900	1000	1200
Ø 50 mm	Horizontal	98 mm	102 mm	103 mm	104 mm	105 mm	106 mm	108 mm



## 1950.0300 - 300 Model Custom Solution

### HighLine | Custom

The set consists of a Highline Custom base to place tile onto, heightener set and screws.  
 Tile can overhang the Highline Custom to achieve a larger visual length.  
 Consult with tile manufacturer for strength of tile and maximum overhang.  
 Must be assembled before mounting.



### Specifications

<b>ITEM NUMBER</b>	<b>GTIN NUMBER</b>	<b>WEIGHT INCLUDING PACKAGING</b>
1950.0300	5707692005324	720 g
<b>WEIGHT EXCLUDING PACKAGING</b>	<b>MATERIAL</b>	<b>USAGE</b>
660 g	Stainless steel (AISI 304)	Line drain
<b>SURFACE</b>	<b>LENGTH MODEL</b>	<b>HEIGHTENER SET</b>
Brushed	300 mm	Plastic (PE)
<b>LENGTH WITH/WITHOUT FRAME</b>		
253/315 mm		

