

# 1004.0800K3M01 Low Profile Outlet DATA SHEET



## KIT CONTAINS

WALL MOUNTED DRAIN  
LOW PROFILE OUTLET  
HIGHLINE FRAME  
HIGHLINE PANEL

## 1004.0801 - 800 Model Drain Body

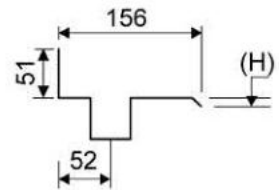
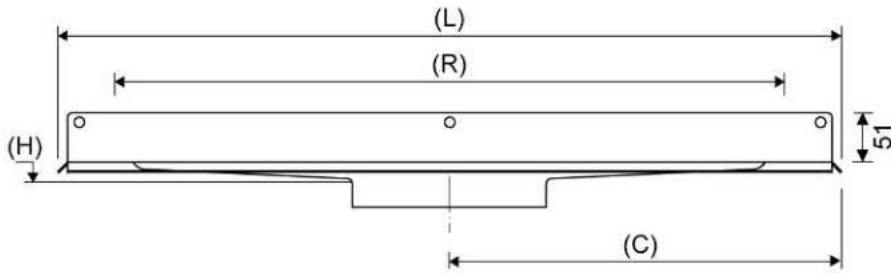
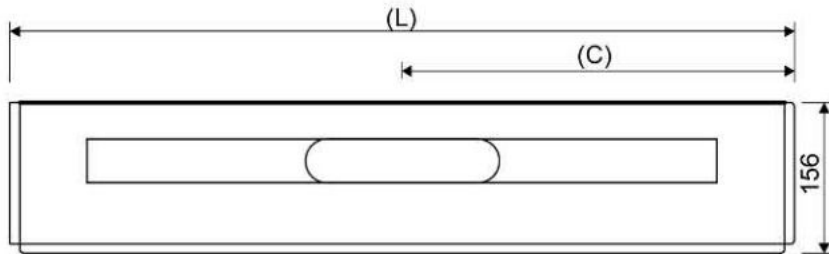
Line 1004

Wall Mounted Linear Drain fixed to wall for a very secure installation and to allow for a one way fall. Suitable for 25mm wall build up. For larger sizes, please contact Wet Room Materials. Can be freely positioned against rear wall, independent of any side walls.



### Specifications

|                           |                                |                                   |
|---------------------------|--------------------------------|-----------------------------------|
| <b>ITEM NUMBER</b>        | <b>GTIN NUMBER</b>             | <b>MATERIAL</b>                   |
| 1004.0801                 | 5707692008394                  | 1.5 mm stainless steel (AISI 304) |
| <b>USAGE</b>              | <b>SURFACE</b>                 | <b>MEMBRANE</b>                   |
| Linear drain              | Pickled                        | Liquid or sheet membrane          |
| <b>FLOOR CONSTRUCTION</b> | <b>FLOORING</b>                | <b>MOUNTING</b>                   |
| All                       | Tiles                          | 6 mm Pluks 6 mm Skruer. Torx 20   |
| <b>CENTER</b>             | <b>INSTALLATION LENGTH (L)</b> | <b>HEIGHT (H)</b>                 |
| 456 mm                    | 912 mm                         | 18 mm                             |
| <b>LENGTH MODEL</b>       |                                |                                   |
| 800                       |                                |                                   |



## 1417.0050 - Low Profile Outlet

Linear 1417.0050

Ø 50 mm horizontal drain

The odour barrier can be removed for cleaning

Can be rotated 180 degrees if a rear-facing outlet is required

Note: Odour barrier is VA-approved

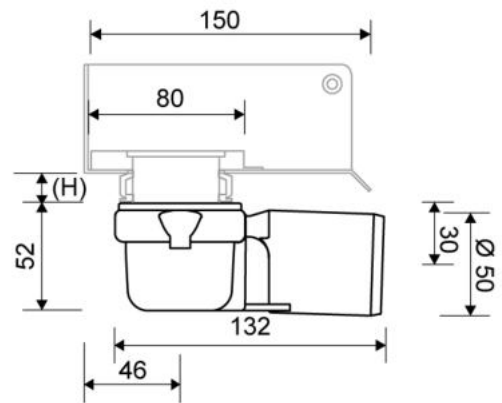
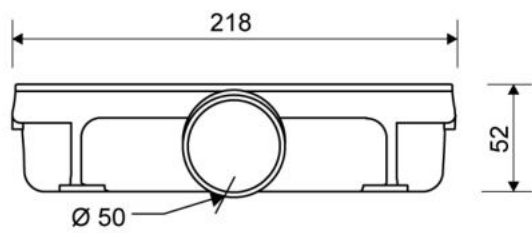
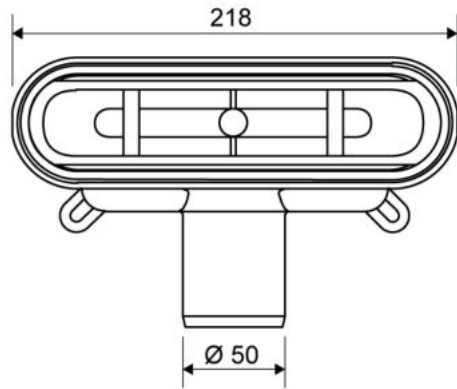


### Specifications

|                            |               |  |
|----------------------------|---------------|--|
| ITEM NUMBER                | GTIN NUMBER   | WEIGHT INCLUDING PACKAGING                                 |
| 1417.0050                  | 5707692007915 | 500 g  |
| WEIGHT EXCLUDING PACKAGING | MATERIAL      | USAGE  |
| 350 g                      | Plastic (PP)  | Line drain   |
| BARRIER                    | GASKET        | CAPACITY   |
| With (odour barrier)       | EPDM          | 0.6 l/s  |
| SIDE INLET                 | CENTER        | FITS DRAIN UNIT  |
| Without                    | 30 mm         | 1001, 1002, 1003, 1004, 1100, 3002, 3004, 5002, 5003, 4004 |

FITTING HEIGHTS - LINE FAUCETS 1001, 1002, 1003, 1004

| Ø       | Outlet direction | 300   | 600   | 700   | 800   | 900   | 1000  | 1200  |
|---------|------------------|-------|-------|-------|-------|-------|-------|-------|
| Ø 50 mm | Horizontal       | 64 mm | 68 mm | 69 mm | 70 mm | 71 mm | 72 mm | 74 mm |



## 1910.0815 - 800mm Stainless Steel Frame

Line 1910

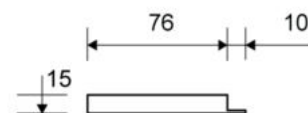
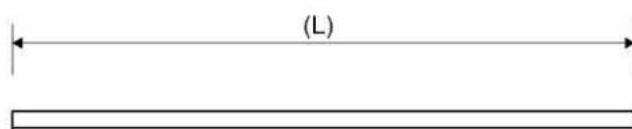
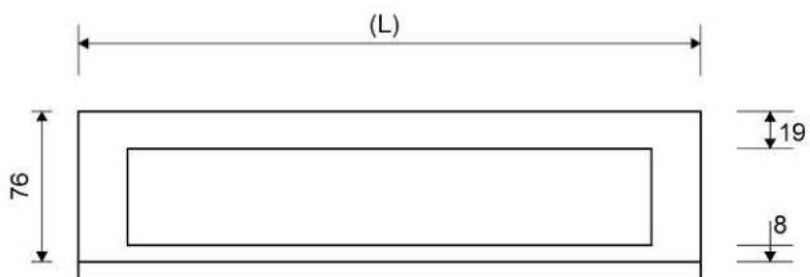
Highline Frame can be placed around Highline Custom, Cassette and Panel.  
Also available in 10, 12 and 25mm heights (depending on the thickness of the floor tile)  
Contact Wetroom Materials for other heights.

Must be installed before tiling.



### Specifications

|                            |  |                            |
|----------------------------|--|----------------------------|
| ITEM NUMBER                | GTIN NUMBER                              | WEIGHT INCLUDING PACKAGING |
| 1910.0815                  | 5707692004389                            | 2140 g                     |
| WEIGHT EXCLUDING PACKAGING | MATERIAL                                 | USAGE                      |
| 2060 g                     | Stainless steel (AISI 304)               | Line drain                 |
| SURFACE                    | INSTALLATION LENGTH (L)                  | HEIGHT (H)                 |
| Brushed                    | 795 mm                                   | H 15 mm                    |
| LENGTH MODEL               | FITS DRAIN UNIT                          | INSERT                     |
| 800 mm                     | 1001, 1002, 1003, 1004, 1100, 5002, 5003 | Synthetic                  |



## 1920.0800 - 800mm Panel

### HighLine | Panel

The set consists of a Highline Panel in Brushed Stainless Steel, heightener set and screws.  
Can be used with or without Highline Frame.

When using without Highline Frame, ensure rear wall build up allows for equal drainage gap on all sides.  
Also available in Black, Brass, Copper and Polished Stainless Steel



### Specifications

|                            |                            |                            |
|----------------------------|----------------------------|----------------------------|
| ITEM NUMBER                | GTIN NUMBER                | WEIGHT INCLUDING PACKAGING |
| 1920.0800                  | 5707692004501              | 2300 g                     |
| WEIGHT EXCLUDING PACKAGING | MATERIAL                   | USAGE                      |
| 2230 g                     | Stainless steel (AISI 304) | Line drain                 |
| SURFACE                    | LENGTH MODEL               | HEIGHTENER SET             |
| Brushed                    | 800 mm                     | Plastic (PE)               |
| LENGTH WITH/WITHOUT FRAME  |                            |                            |
| 733/795 mm                 |                            |                            |



