

KIT CONTAINS

WALL MOUNTED
CORNER DRAIN
STANDARD OUTLET
HIGHLINE FRAME
HIGHLINE PANEL

2011.0200

Corner 2011

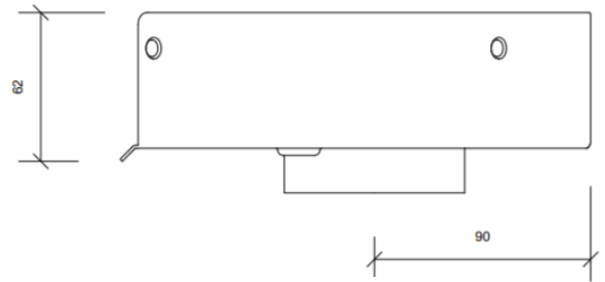
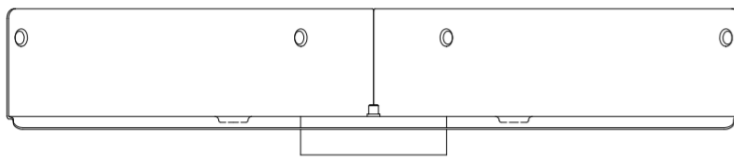
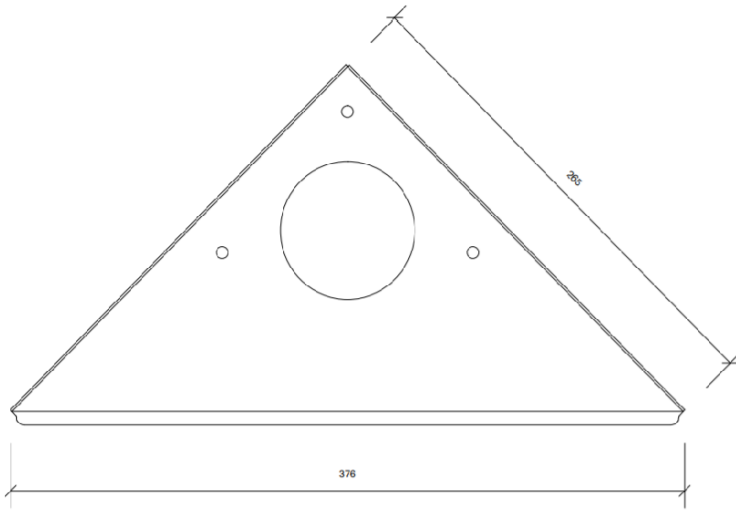
The drain unit has two wall flanges and one floor flange.



Specifications

ITEM NUMBER	GTIN NUMBER	WEIGHT INCLUDING PACKAGING
2011.0200	5707692006659	900 g
WEIGHT EXCLUDING PACKAGING	MATERIAL	USAGE
700 g	1,5 mm stainless steel (AISI 304)	Corner drain
SURFACE	MEMBRANE	FLOOR CONSTRUCTION
Pickled	Liquid or sheet membrane	All
FLOORING	MOUNTING	INSTALLATION LENGTH (L1)
Tiles	6 mm plugs 6 mm screws. Torx 20	377 mm
INSTALLATION LENGTH (L2)		
267 mm		

DATA SHEET



2011.0200

DATA SHEET

2411.0050

Line 2411.0050

Ø 50 mm horizontal drain

With water trap that can be removed and separated for cleaning

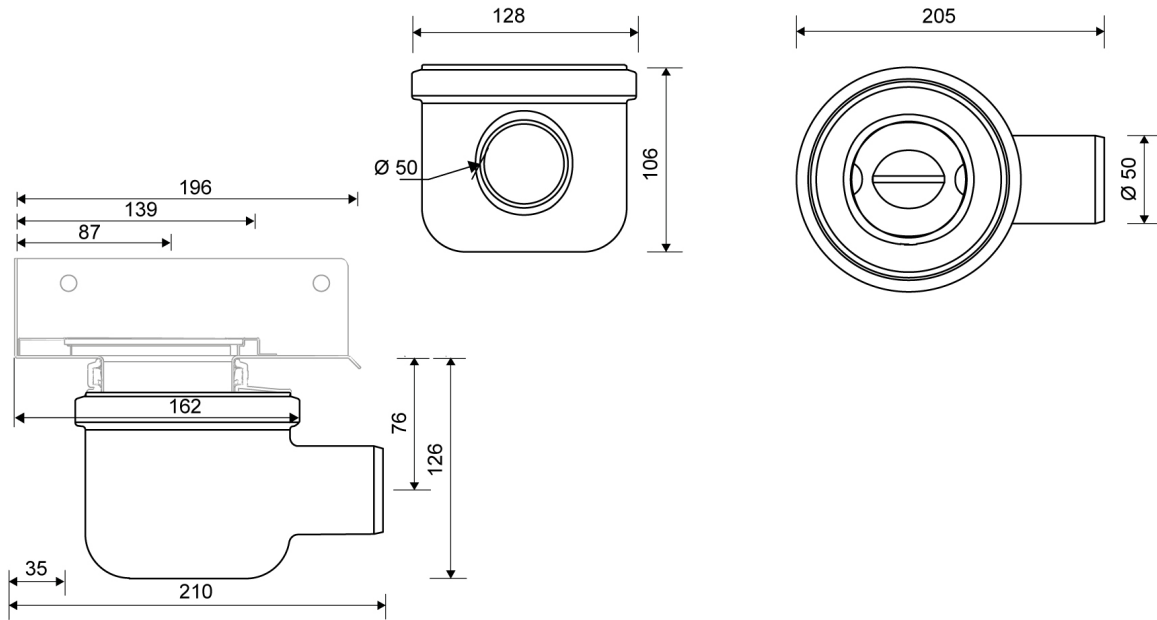
Can be rotated 360 degrees to facilitate pipework positioning



Specifications

ITEM NUMBER	GTIN NUMBER	WEIGHT INCLUDING PACKAGING
2411.0050	5707692006604	5000 g
WEIGHT EXCLUDING PACKAGING	MATERIAL	USAGE
4000 g	Plastic PP	Corner drain
BARRIER	GASKET	CAPACITY
with	EPDM	0.8 l/s
SIDE INLET	CONSTRUCTION HEIGHT (CORNER)	FITS DRAIN UNIT
Without	126 mm	2011.0200

DATA SHEET



2411.0050

2501.0212

Corner 2500

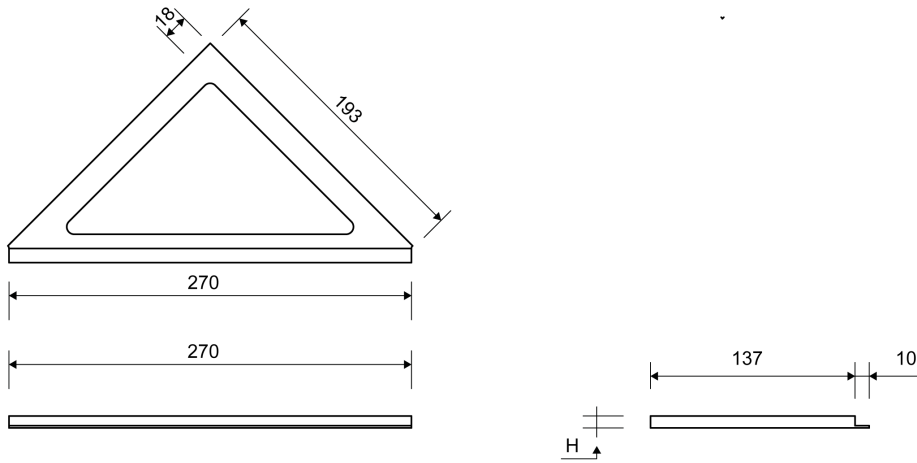
Available in 8, 10 and 12 mm heights (depending on the thickness of the floor tile)



Specifications

ITEM NUMBER	GTIN NUMBER	WEIGHT INCLUDING PACKAGING
2501.0212	5707692002620	310 g
WEIGHT EXCLUDING PACKAGING	MATERIAL	USAGE
240 g	Stainless steel (AISI 304)	Corner drain
SURFACE	INSTALLATION LENGTH (L)	HEIGHT (H)
Brushed	L1: 270 / L2: 193 mm	H 12 mm
LENGTH MODEL	FITS DRAIN UNIT	INSERT
200 mm	2011	Synthetic

DATA SHEET



2501.0212

2911.0212

HighLine Corner

HighLine Corner Panel with frame

Frame available in 10, 12, 15 and 25 mm heights (depending on the thickness of the floor tile)

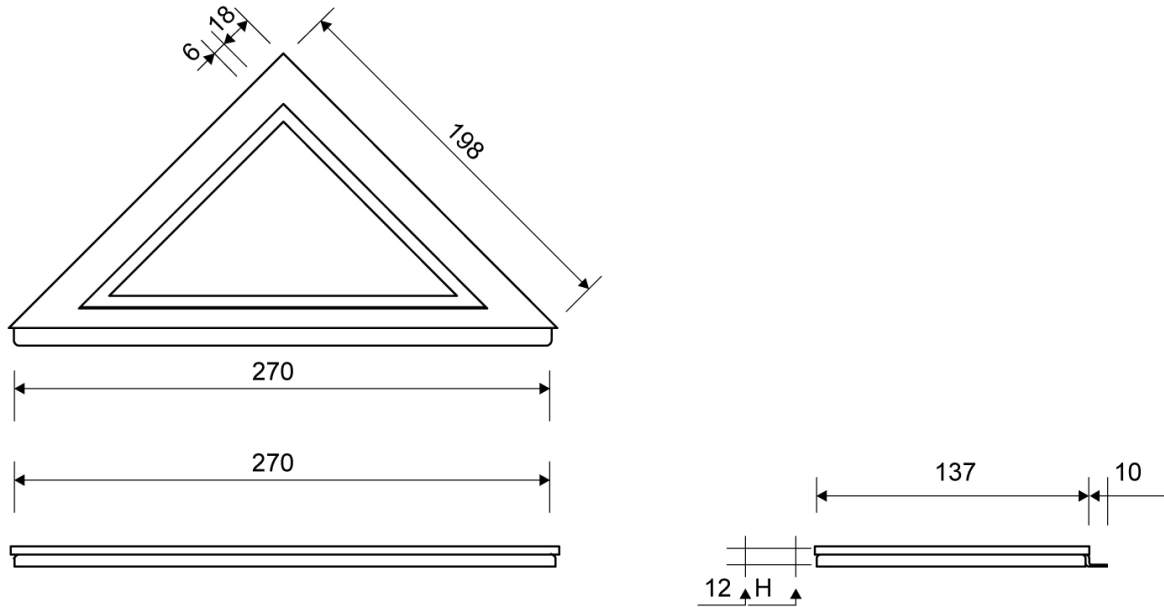
Exclusive design with top in solid 4 mm stainless steel. Insert ensures a snug fit inside the drain unit



Specifications

ITEM NUMBER 2911.0212	GTIN NUMBER 5707692007045	WEIGHT INCLUDING PACKAGING 749 g
WEIGHT EXCLUDING PACKAGING 696 g	MATERIAL Stainless steel (AISI 304)	USAGE Line drain
SURFACE Brushed	INSTALLATION LENGTH (L) 198/198 mm	HEIGHT (H) H 12 mm
FITS DRAIN UNIT 2011	INSERT Synthetic	

DATA SHEET



2911.0212