

1004.0900K6 Standard Outlet DATA SHEET



KIT CONTAINS

WALL MOUNTED DRAIN
MULTI DIRECTIONAL OUTLET
HIGHLINE FRAME
HIGHLINE PANEL

1004.0901 - 900 Model Drain Body

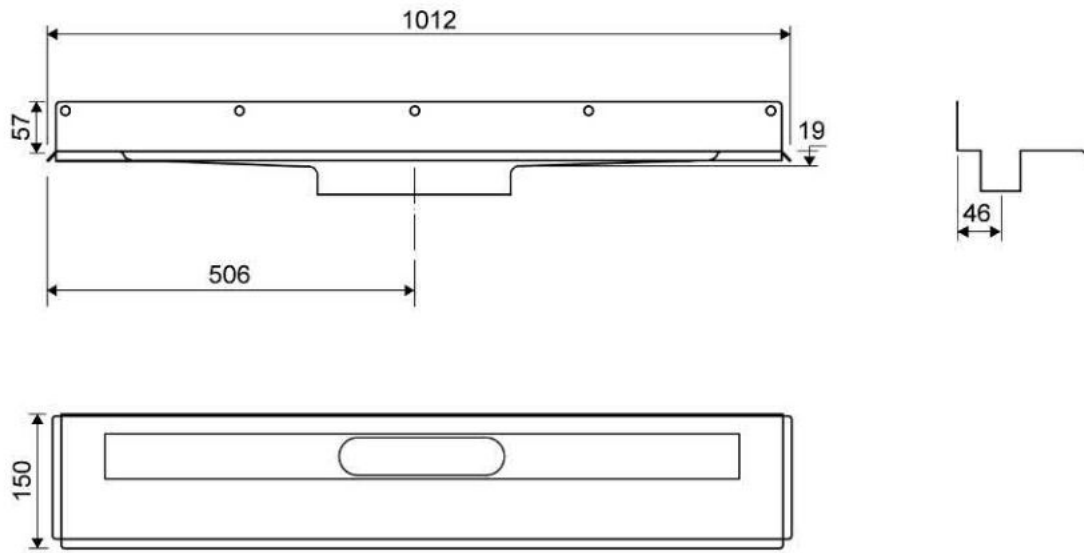
Line 1004

Wall Mounted Linear Drain fixed to wall for a very secure installation and to allow for a one way fall.
Suitable for 25mm wall build up. For larger sizes, please contact Wet Room Materials.
Can be freely positioned against rear wall, independent of any side walls.



Specifications

| | | |
|-----------------------------------|-----------------------------------|-----------------------------------|
| ITEM NUMBER | GTIN NUMBER | WEIGHT INCLUDING PACKAGING |
| 1004.0900 | 5707692003207 | 3010 g |
| WEIGHT EXCLUDING PACKAGING | MATERIAL | USAGE |
| 2380 g | 1,5 mm stainless steel (AISI 304) | Line drain |
| SURFACE | MEMBRANE | FLOOR CONSTRUCTION |
| Pickled | Liquid or sheet membrane | All |
| FLOORING | MOUNTING | CENTER |
| Tiles | 6 mm plugs 6 mm screws. Torx 20 | 506 mm |
| INSTALLATION LENGTH (L) | HEIGHT (H) | LENGTH MODEL |
| 1012 mm | 19 mm | 900 mm |



1004.0900

Products

1416.0050 - Multi Directional Outlet

Line 1416.0050

Ø 50 mm horizontal drain

Can be rotated 180 degrees if a rear-facing outlet is required.

Note two drains. Cannot be used as an inlet.



Specifications

| | | |
|----------------------------|---------------|--|
| ITEM NUMBER | GTIN NUMBER | WEIGHT INCLUDING PACKAGING |
| 1416.0050 | 5707692012520 | 505 g |
| WEIGHT EXCLUDING PACKAGING | MATERIAL | USAGE |
| 312 g | Plastic (PP) | Line drain |
| BARRIER | GASKET | CAPACITY |
| With | EPDM | 0,8 l/s |
| SIDE INLET | CENTER | FITS DRAIN UNIT |
| Without | 32 mm | 1001, 1002, 1003, 1004, 1100, 3002, 3004, 5002, 5003, 4004 |

FITTING HEIGHTS - LINE FAUCETS 1001, 1002, 1003, 1004

| Ø | Outlet direction | 300 | 600 | 700 | 800 | 900 | 1000 | 1200 |
|---------|------------------|-------|--------|--------|--------|--------|--------|--------|
| Ø 50 mm | Horizontal | 98 mm | 102 mm | 103 mm | 104 mm | 105 mm | 106 mm | 108 mm |



1916.0915- 900mm Highline frame

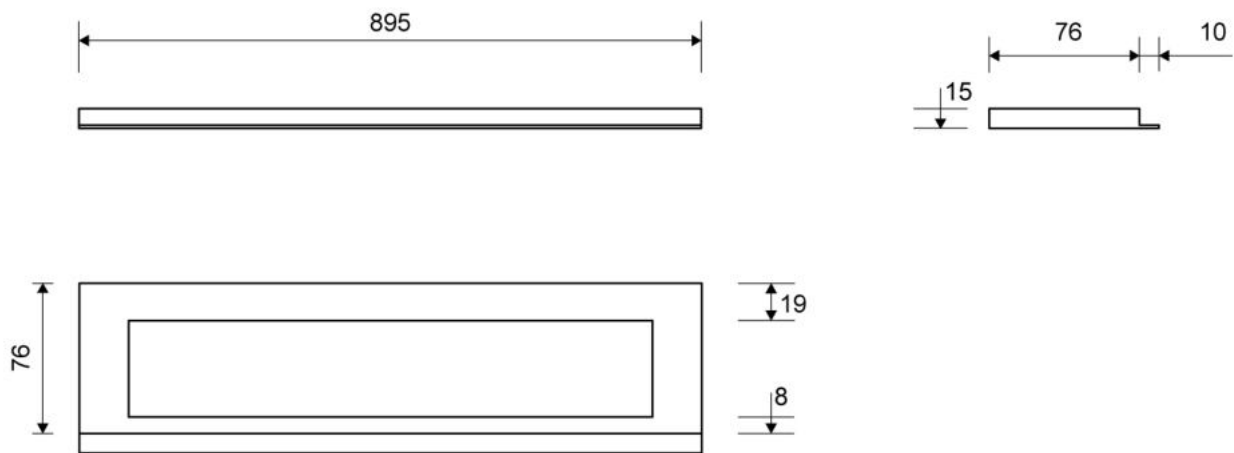
HighLine Colour frame | copper

Exclusive frame design with top in 4 mm solid PVD-treated stainless steel
Insert ensures a snug fit inside the drain unit.



Specifications

| | | |
|---------------------------------|-------------------------------------|--|
| ITEM NUMBER 1916.0915 | GTIN NUMBER 5707692012131 | MATERIAL Stainless steel (AISI 304) |
| USAGE Linear drain | SURFACE PVD Copper | INSTALLATION LENGTH (L2) 895 mm |
| HEIGHT (H) H 15 mm | LENGTH MODEL 900 mm | FITS DRAIN UNIT 1001, 1002, 1003, 1004, 1100, 5002, 5003 |
| INSERT Synthetic | | |



1916.0915

Products

1920.0916 - 900mm Copper Panel

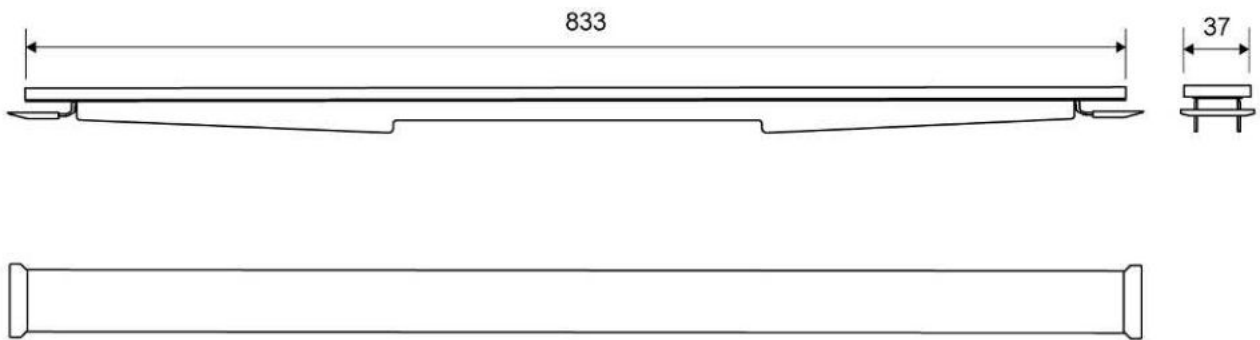
HighLine Colour Panel | Copper

The set consists of a Highline Panel in Brushed Stainless Steel PVD coated Copper, heightener set and screws. Can be used with or without Highline Frame. Brass frame not available for Freestanding drain. When using without Highline Frame, ensure rear wall build up allows for equal drainage gap on all sides. Also available in Black, Brass, Brushed and Polished Stainless Steel



Specifications

| | | |
|--|-----------------------|----------------------------------|
| ITEM NUMBER | GTIN NUMBER | MATERIAL |
| 1920.0916 | 5707692009827 | Stainless steel (AISI 304) |
| USAGE | SURFACE | LENGTH MODEL |
| Linear drain | PVD Copper | 900 mm |
| FITS DRAIN UNIT | HEIGHTENER SET | LENGTH WITH/WITHOUT FRAME |
| 1001, 1002, 1003, 1004, 1100, 5002, 5003 | Plastic (PE) | 833/895 mm |



1920.0916

Products