

6001.0800 Low Profile Outlet DATA SHEET



KIT CONTAINS

NYLON MAT WITH
STAINLESS STEEL FRAME
BASE TO SUPPORT MAT
WITH INTEGRATED DRAIN
LOW PROFILE OUTLET

6001.0800 - 800 Matline

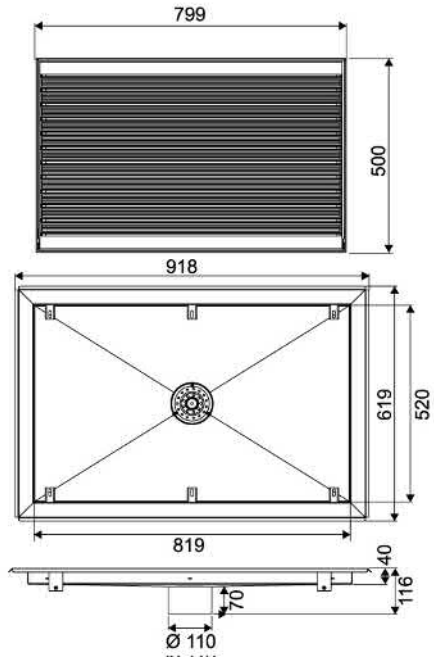
MatLine

Intelligent mat system



Specifications

ITEM NUMBER 6001.0800	GTIN NUMBER 5707692009025	WEIGHT INCLUDING PACKAGING 9000 g
WEIGHT EXCLUDING PACKAGING 8800 g	MATERIAL Drain unit and strainer: <i>1 mm stainless steel (AISI 304)</i> Frame: <i>2 mm stainless steel (AISI 304)</i> Profiles: <i>2 mm aluminium</i>	USAGE Mat system
SURFACE Unit and strainer Pickled Frame: Matt black powder coating Profiles: Black anodised	BARRIER Designed for use with Ø 110 mm P-trap	FLOOR CONSTRUCTION Concrete/wood
FLOORING Tiles and similar flooring	MEASUREMENTS MATT (WIDTH X DEPTH) 799/500 mm	MEASUREMENTS DRAIN UNIT (WIDTH X DEPTH) 918/619 mm
MEASUREMENTS FRAME (WIDTH X DEPTH) 819/520 mm		



6001.0800

2511.0050 - Low Profile Outlet

MatLine 2511.0050

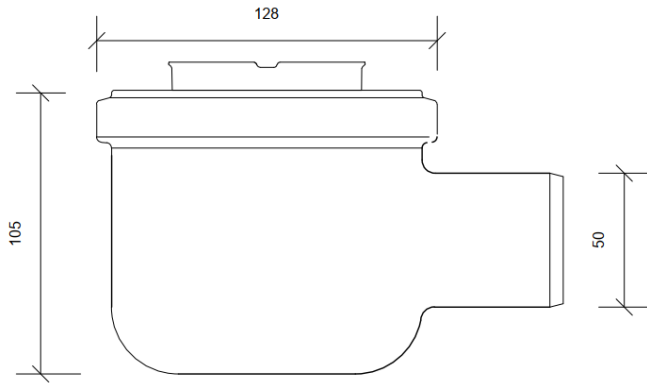
Ø 50 mm horizontal drain

Can be twisted in all directions, to simplify pipework

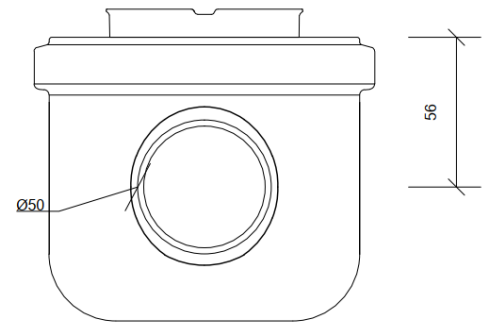


Specifications

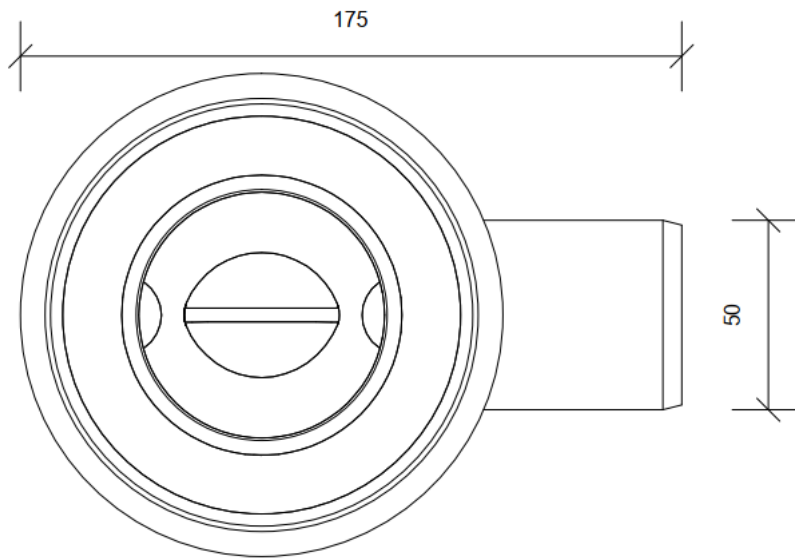
ITEM NUMBER	GTIN NUMBER	MATERIAL
2511.0050	5707692010953	Plastic (PP)
USAGE	BARRIER	GASKET
MatLine	without	EPDM
FITS	CAPACITY	SIDE INLET
MatLine 6001.0800	0.8 l/s	without
CONSTRUCTION HEIGHT (CORNER)		
106		



Side Opstalt/Side Elevation/Seitenansicht



Front Opstalt/Front Elevation/Frontansicht



2511.0050