

# WM82150- COLUMN DATA SHEET



## KIT CONTAINS

SQUARE MAIN DRAIN BODY  
STANDARD OUTLET  
CLASSICLINE FRAME  
COLUMN GRATE

## 8013.0000 - 100 Model Drain Body

Fitting (short version) | with water trap

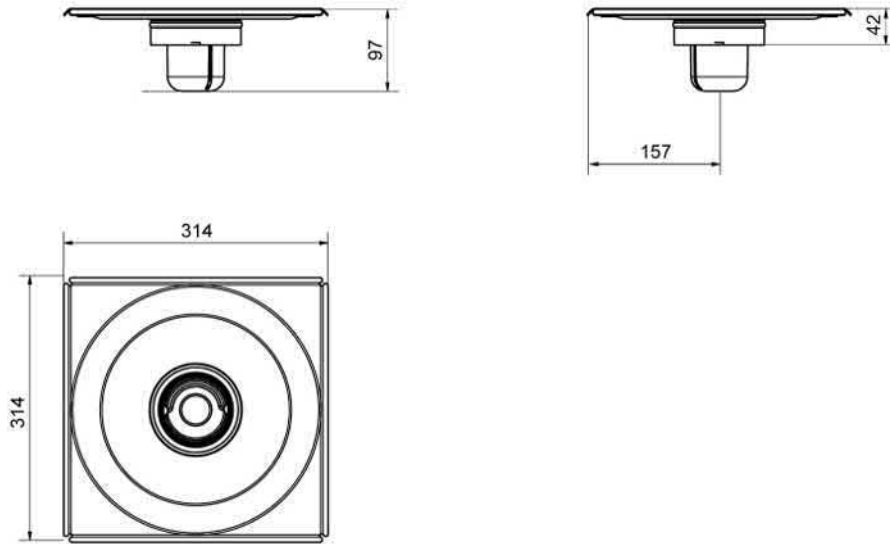
Complement with ClassicLine grating and frame or Custom base

Can be used together with ClassicLine frame and grating or Custom tile solution



### Specifications

<b>ITEM NUMBER</b> 8013.0000	<b>GTIN NUMBER</b> 5707692010205	<b>MATERIAL</b> Stainless steel (AISI 304) and plastic (PP)
<b>USAGE</b> Square drains	<b>SURFACE</b> Pickled steel	<b>BARRIER</b> With
<b>MEMBRANE</b> Lubricating or sheet membrane	<b>FLOOR CONSTRUCTION</b> All	<b>FLOORING</b> Tiles
<b>FITS</b> 110 mm pipe connection	<b>CAPACITY</b> Depends on outlet unit	<b>SIDE INLET</b> Without



**8013.0000**

## 2511.0050 - Standard Outlet

MatLine 2511.0050

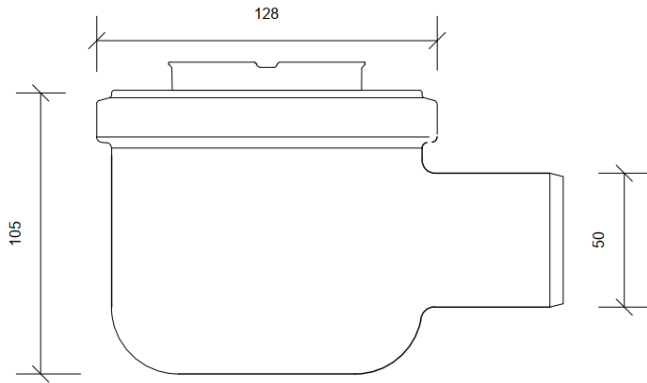
Ø 50 mm horizontal drain

Can be twisted in all directions, to simplify pipework

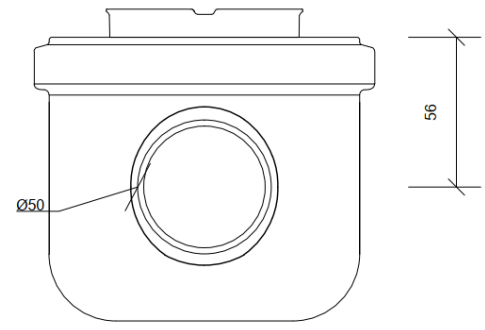


### Specifications

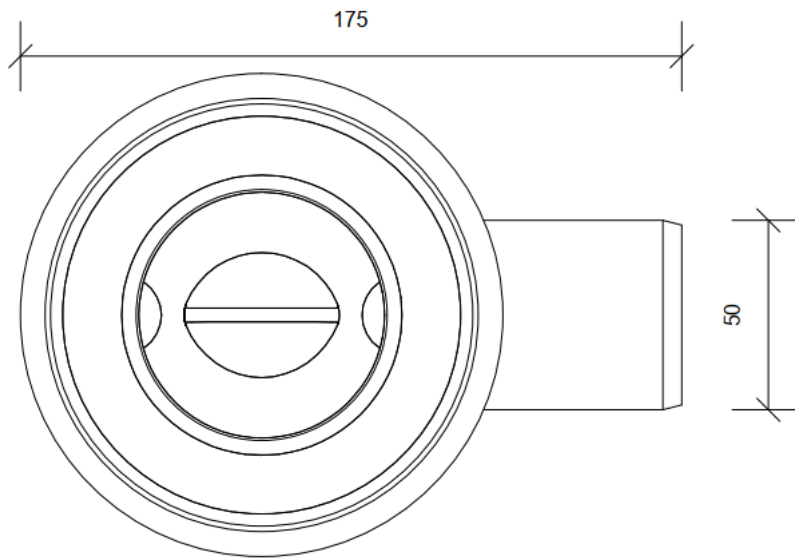
<b>ITEM NUMBER</b>	<b>GTIN NUMBER</b>	<b>MATERIAL</b>
2511.0050	5707692010953	Plastic (PP)
<b>USAGE</b>	<b>BARRIER</b>	<b>GASKET</b>
MatLine	without	EPDM
<b>FITS</b>	<b>CAPACITY</b>	<b>SIDE INLET</b>
MatLine 6001.0800	0.8 l/s	without
<b>CONSTRUCTION HEIGHT (CORNER)</b>		
106		



Side Opstalt/Side Elevation/Seitenansicht



Front Opstalt/Front Elevation/Frontansicht



**2511.0050**

## 8200.0150 - Classic line frame

ClassicLine frame

To be combined with a ClassicLine grating of the same size

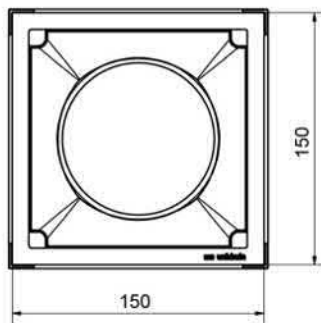
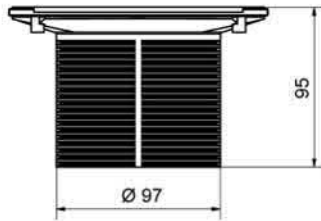
Height-adjustable ClassicLine frame. 150x150 mm.

Min. tile height 8 mm. Can be rotated to match tile pattern



### Specifications

<b>ITEM NUMBER</b>	<b>GTIN NUMBER</b>	<b>MATERIAL</b>
8200.0150	5707692010212	Stainless steel (AISI 304) and plastic (ABS)
<b>USAGE</b>	<b>SURFACE</b>	<b>FITS</b>
Square drains	Brushed steel	8010.0000, 8011.0000, 8012.0000, 8013.0000



**8200.0150**

## 8302.0150 - Classic Line grate

ClassicLine grating

To be combined with a ClassicLine frame of the same size

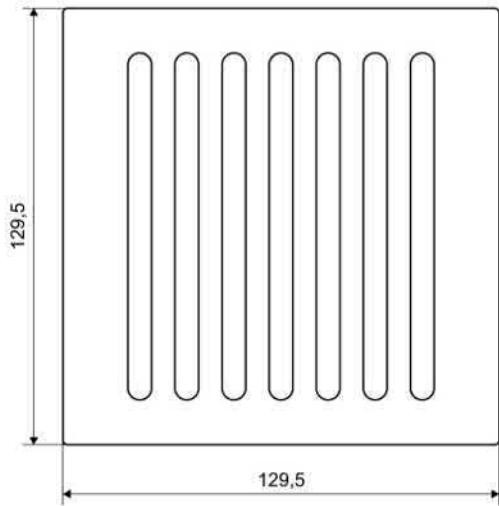
Grating mounted in frame



### Specifications

<b>ITEM NUMBER</b>	<b>GTIN NUMBER</b>	<b>MATERIAL</b>
8302.0150	5707692010243	Stainless steel (AISI 304)
<b>USAGE</b>	<b>SURFACE</b>	<b>FITS</b>
Square drains	Brushed steel	8200.0150





**8302.0150**