

WM4004.0700 STANDARD OUTLET DATA SHEET



KIT CONTAINS

VINYL FLOOR DRAIN
MULTI DIRECTIONAL OUTLET
FRAME TO SECURE VINYL
BRUSHED STAINLESS STEEL
MAGNETIC GRATE

4004.0700 - 700 Model Drain Body

Vinyl set 4004

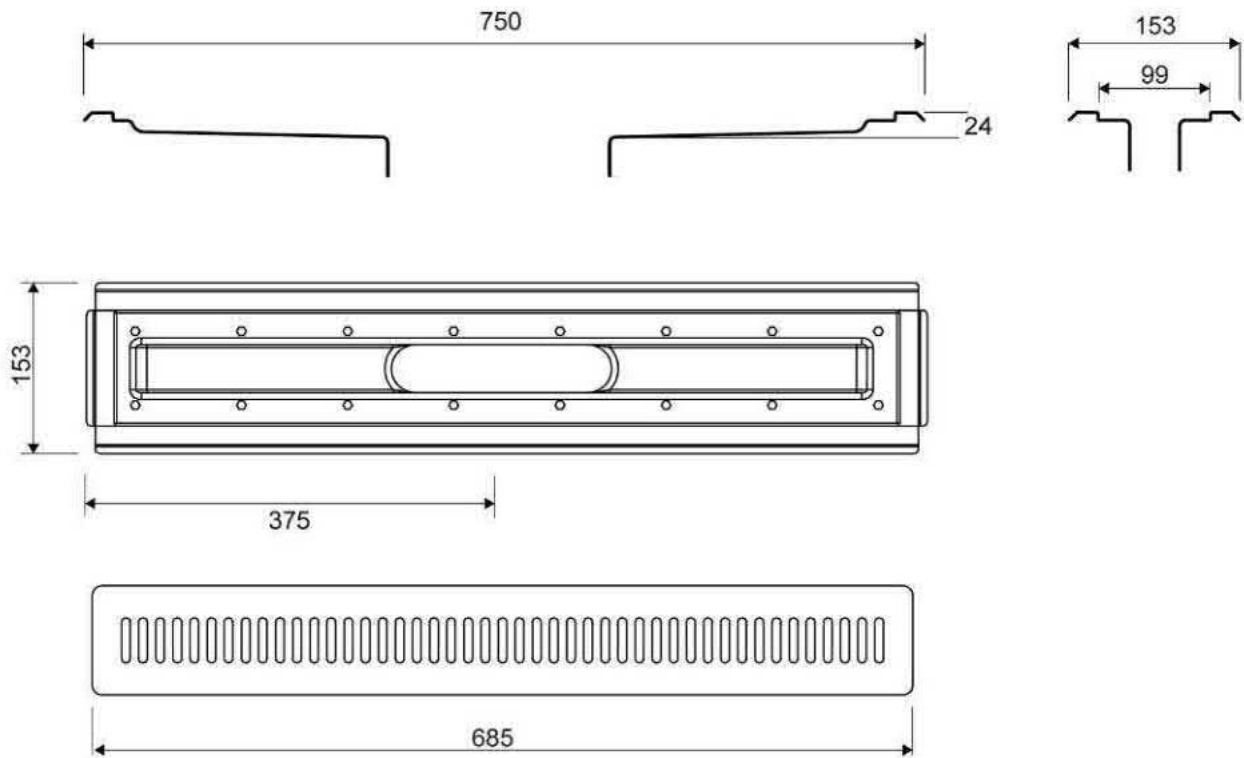
For shower cubicle with no fixed walls

The vinyl set comprises a magnetic fitting, frame and grating



Specifications

ITEM NUMBER	GTIN NUMBER	USAGE
4004.0700	5707692009599	Linear drain
CENTER	HEIGHT (H)	LENGTH MODEL
375 mm	24 mm	700 mm
GRATING		
685 mm		



4004.0700

1416.0050 - Multi Directional Outlet

Line 1416.0050

Ø 50 mm horizontal drain

Can be rotated 180 degrees if a rear-facing outlet is required.

Note two drains. Cannot be used as an inlet.



Specifications

ITEM NUMBER	GTIN NUMBER	WEIGHT INCLUDING PACKAGING
1416.0050	5707692012520	505 g
WEIGHT EXCLUDING PACKAGING	MATERIAL	USAGE
312 g	Plastic (PP)	Line drain
BARRIER	GASKET	CAPACITY
With	EPDM	0,8 l/s
SIDE INLET	CENTER	FITS DRAIN UNIT
Without	32 mm	1001, 1002, 1003, 1004, 1100, 3002, 3004, 5002, 5003, 4004

