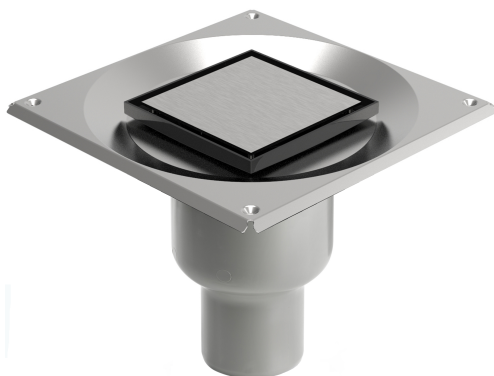


WM82100.K2M01

## HIGHLINE CUSTOM DATA SHEET



### KIT CONTAINS

SQUARE MAIN DRAIN BODY  
VERTICAL OUTLET  
HIGHLINE CUSTOM BASE

**WM | Wetroom Materials**

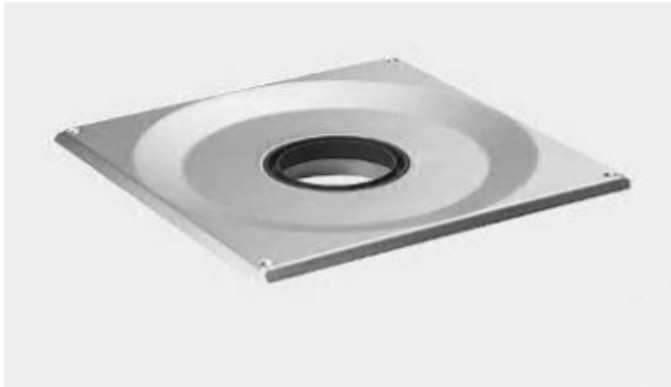
[www.wetroommaterials.com](http://www.wetroommaterials.com) [sales@wetroommaterials.com](mailto:sales@wetroommaterials.com)

UK: Derwentside, 25 Town Street, Duffield, Belper, Derbyshire, DE56 4EH T: +44 (0) 1332 840 820  
IRL: Unit E1 Ballymount Industrial Estate, Walkinstown, Dublin 12, D12 WR60 T: +353 (0) 1 297 3488

## 8013.0000

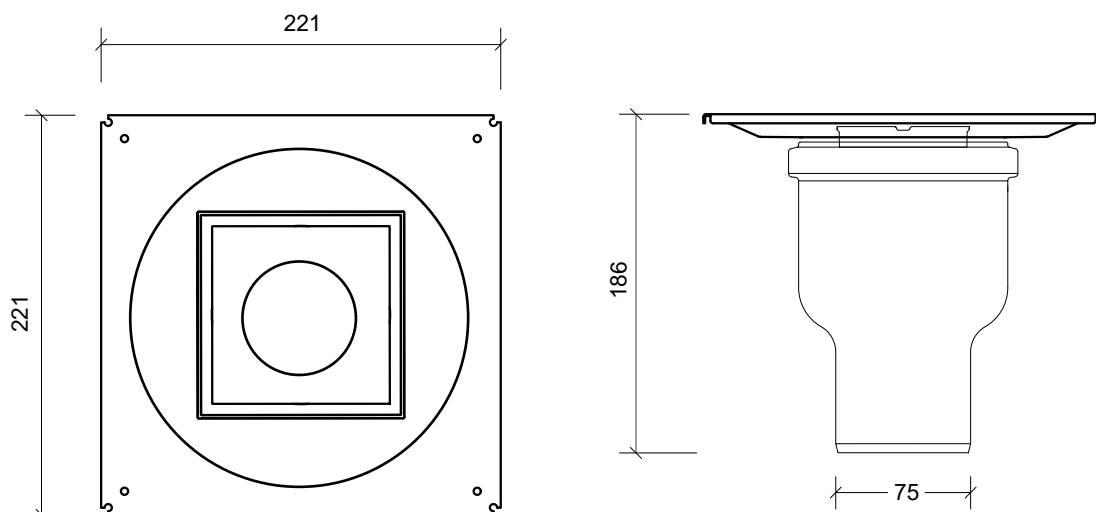
Complement with ClassicLine grating and frame or Custom base

Can be used together with ClassicLine frame and grating or Custom tile solution



### Specifications

ITEM NUMBER	MATERIAL	USAGE
8013.0000	Stainless steel (AISI 304)	Square drains
SUITABLE MEMBRANE	FLOOR CONSTRUCTION	FLOORING
Liquid or Sheet	All	Tiles



### 8013.0000 with 2412.0075 outlet

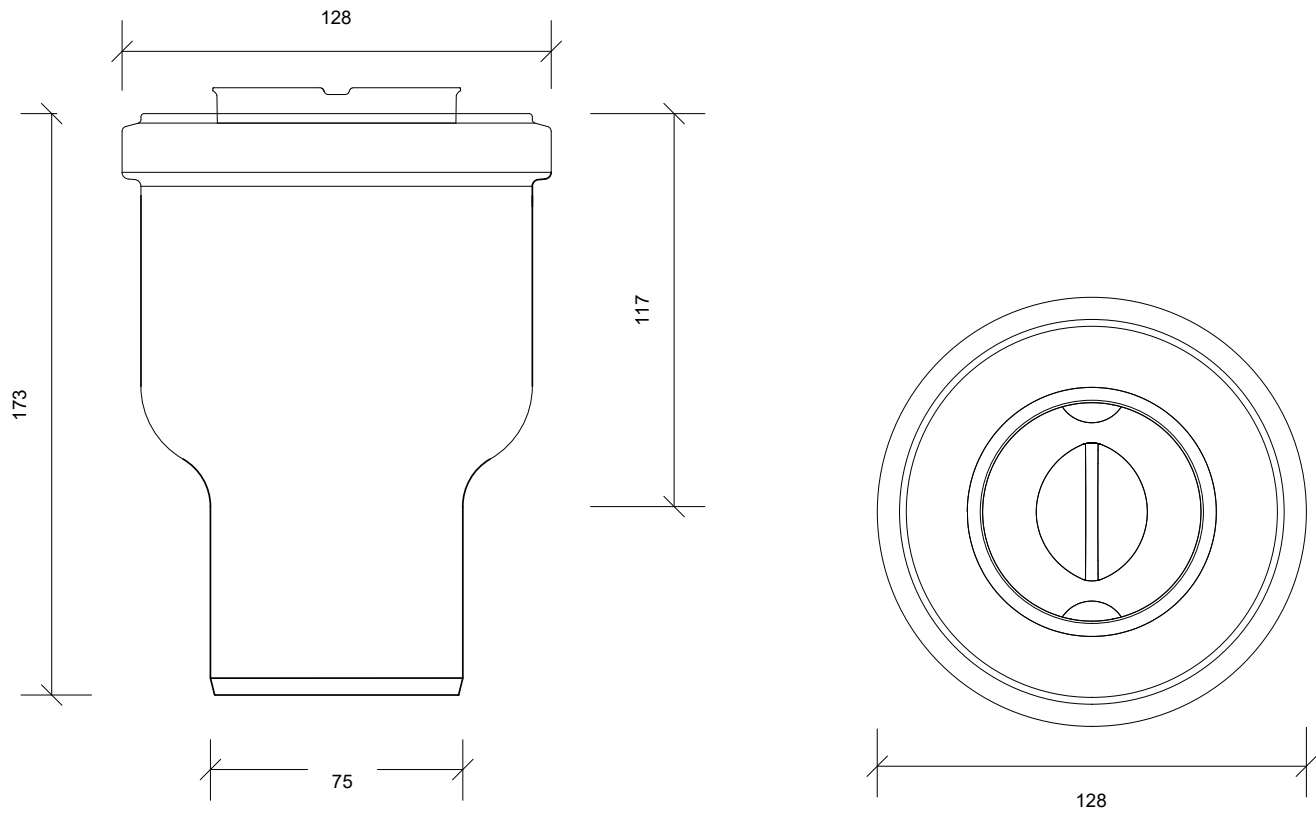
## 2511.0075 - Standard Outlet

Ø 75 mm high capacity vertical outlet



### Specifications

<b>ITEM NUMBER</b>	<b>BARRIER</b>	<b>MATERIAL</b>
2412.0075	50mm Water Trap	Plastic (PP)
<b>FITS</b>	<b>CONSTRUCTION HEIGHT (With Drain)</b>	<b>CAPACITY</b>
Unidrain Square	186mm	1.0 l/s



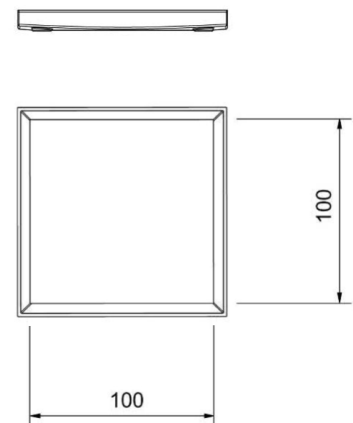
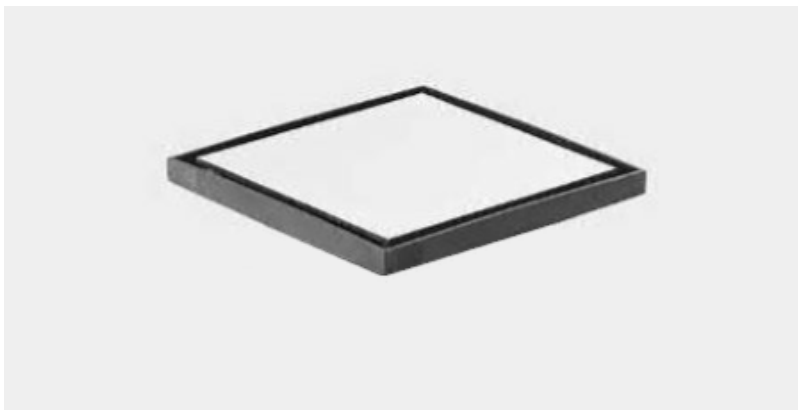
**2412.0075**

## 8400.0100 - Custom base

Custom base

For tile solution

Glue your own matching floor tiles to the base, to complete the solution. The Custom solution is placed on the fitting and trimmed so that the panel is level with the horizontal flange. Spacer supplied, to be used when fitting the tile.



### Specifications

<b>ITEM NUMBER</b>	<b>GTIN NUMBER</b>	<b>MATERIAL</b>
8400.0100	5707692010304	Stainless steel (AISI 304) and plastic (ABS)
<b>SURFACE</b>		
Steel to be covered by tile		