

# 1004.2000K7 Standard Outlet DATA SHEET



## KIT CONTAINS

WALL MOUNTED DRAIN  
MULTI DIRECTIONAL OUTLET  
HIGHLINE FRAME  
HIGHLINE PANEL

**WM | Wetroom Materials**

[www.wetroommaterials.com](http://www.wetroommaterials.com) [sales@wetroommaterials.com](mailto:sales@wetroommaterials.com)

UK: Derwentside, 25 Town Street, Duffield, Belper, Derbyshire, DE56 4EH T: +44 (0) 1332 840 820  
IRE: Unit E1 Ballymount Industrial Estate, Walkinstown, Dublin 12, D12 WR60 T: +353 (0) 1 297 3488

## 1004.2001 - 2000 Model Drain Body

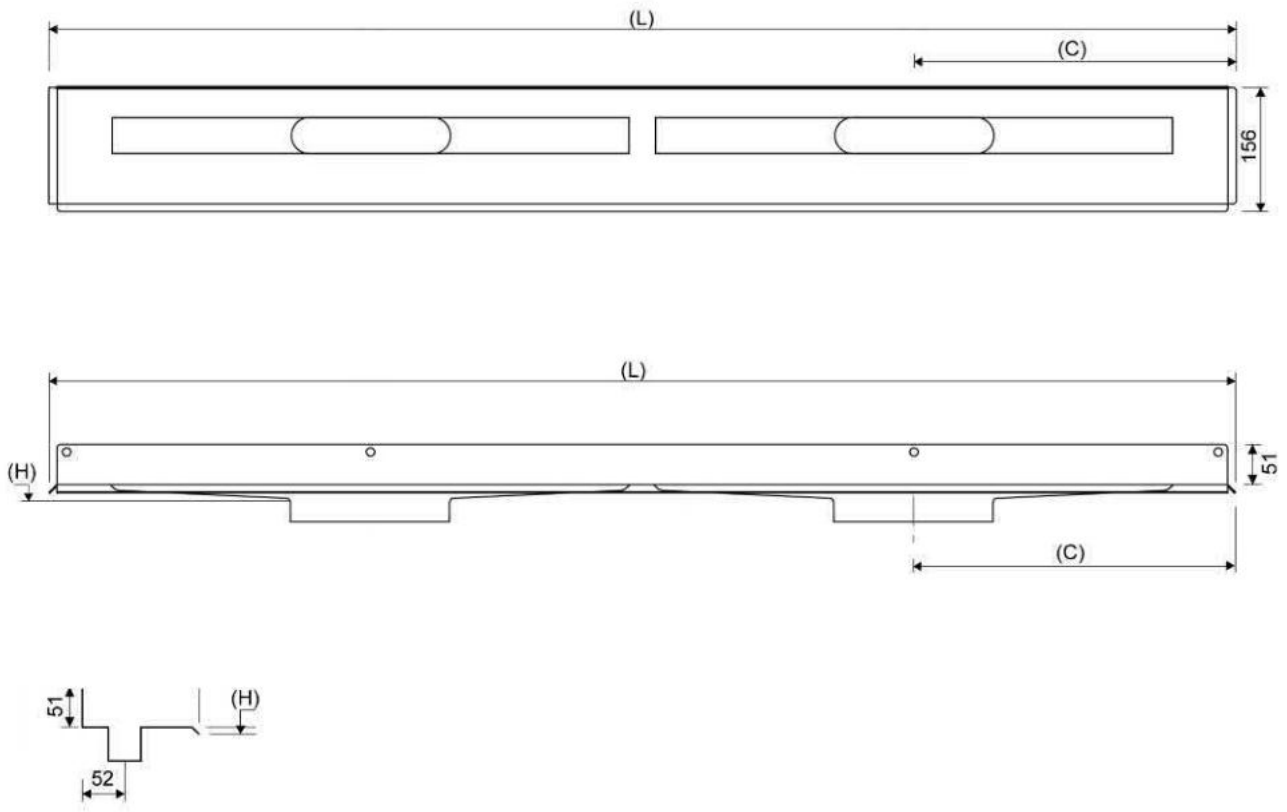
Line 1004

Wall Mounted Linear Drain fixed to wall for a very secure installation and to allow for a one way fall.  
Suitable for 25mm wall build up. For larger sizes, please contact Wet Room Materials.  
Can be freely positioned against rear wall, independent of any side walls.



### Specifications

|                           |                                |                                   |
|---------------------------|--------------------------------|-----------------------------------|
| <b>ITEM NUMBER</b>        | <b>GTIN NUMBER</b>             | <b>MATERIAL</b>                   |
| 1004.2001                 | 5707692008387                  | 1.5 mm stainless steel (AISI 304) |
| <b>USAGE</b>              | <b>SURFACE</b>                 | <b>MEMBRANE</b>                   |
| Linear drain              | Pickled                        | Liquid or sheet membrane          |
| <b>FLOOR CONSTRUCTION</b> | <b>FLOORING</b>                | <b>MOUNTING</b>                   |
| All                       | Tiles                          | 6 mm Pluks 6 mm Skruer. Torx 20   |
| <b>CENTER</b>             | <b>INSTALLATION LENGTH (L)</b> | <b>HEIGHT (H)</b>                 |
| 556 mm                    | 2109 mm                        | 19 mm                             |
| <b>LENGTH MODEL</b>       |                                |                                   |
| 2000                      |                                |                                   |



**1004.1801**

## 1416.0050 - Multi Directional Outlet

Line 1416.0050

Ø 50 mm horizontal drain

Can be rotated 180 degrees if a rear-facing outlet is required.

Note two drains. Cannot be used as an inlet.



### Specifications

|                            |               |  |
|----------------------------|---------------|--|
| ITEM NUMBER                | GTIN NUMBER   | WEIGHT INCLUDING PACKAGING                                 |
| 1416.0050                  | 5707692012520 | 505 g  |
| WEIGHT EXCLUDING PACKAGING | MATERIAL      | USAGE  |
| 312 g                      | Plastic (PP)  | Line drain   |
| BARRIER                    | GASKET        | CAPACITY   |
| With                       | EPDM          | 0,8 l/s  |
| SIDE INLET                 | CENTER        | FITS DRAIN UNIT  |
| Without                    | 32 mm         | 1001, 1002, 1003, 1004, 1100, 3002, 3004, 5002, 5003, 4004 |

#### FITTING HEIGHTS - LINE FAUCETS 1001, 1002, 1003, 1004

| Ø       | Outlet direction | 300   | 600    | 700    | 800    | 900    | 1000   | 1200   |
|---------|------------------|-------|--------|--------|--------|--------|--------|--------|
| Ø 50 mm | Horizontal       | 98 mm | 102 mm | 103 mm | 104 mm | 105 mm | 106 mm | 108 mm |



## WM | Wetroom Materials

[www.wetroommaterials.com](http://www.wetroommaterials.com) [sales@wetroommaterials.com](mailto:sales@wetroommaterials.com)

UK: Derwentside, 25 Town Street, Duffield, Belper, Derbyshire, DE56 4EH T: +44 (0) 1332 840 820  
IRE: Unit E1 Ballymount Industrial Estate, Walkinstown, Dublin 12, D12 WR60 T: +353 (0) 1 297 3488

# 1917.1015 - 1000 Highline Frame

HighLine Colour frame | Black

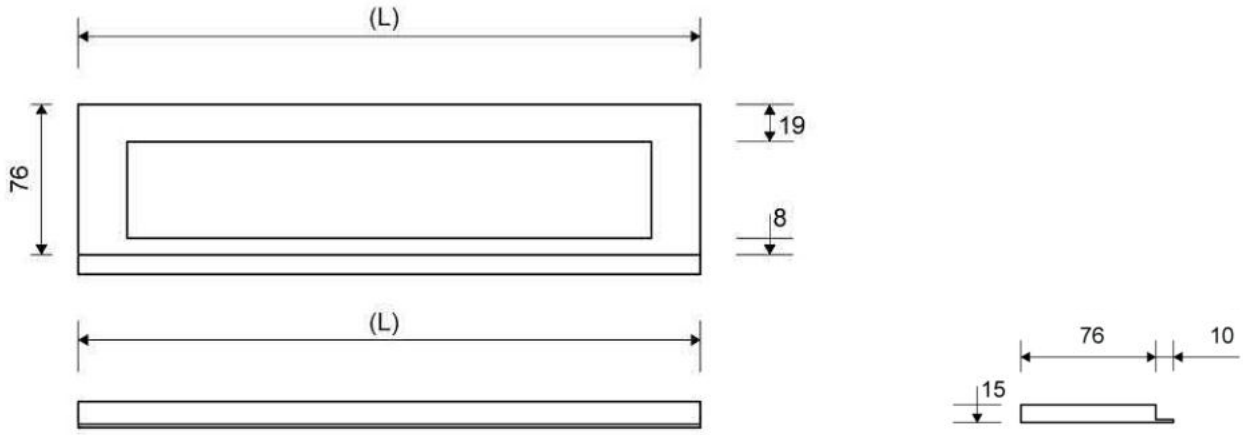
Highline Frame Brushed Stainless Steel PVD Coated Black.  
 Also available in 10, 12 and 25mm heights (depending on the thickness of the floor tile)  
 Contact Wetroom Materials for other heights.

Must be installed before tiling.



## Specifications

|                    |                     |  |
|--------------------|---------------------|--|
| <b>ITEM NUMBER</b> | <b>GTIN NUMBER</b>  | <b>MATERIAL</b>                          |
| 1917.1015          | 5707692012285       | Stainless steel (AISI 304)               |
| <b>USAGE</b>       | <b>SURFACE</b>      | <b>INSTALLATION LENGTH (L2)</b>          |
| Linear drain       | PVD Black           | 995 mm                                   |
| <b>HEIGHT (H)</b>  | <b>LENGTH MODEL</b> | <b>FITS DRAIN UNIT</b>                   |
| H 15 mm            | 1000 mm             | 1001, 1002, 1003, 1004, 1100, 5002, 5003 |
| <b>INSERT</b>      |                     |  |
| Synthetic          |                     |  |



## 1920.1017 - 1000 Highline Panel

HighLine Colour Panel | Black

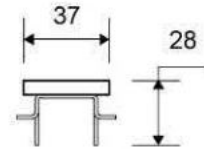
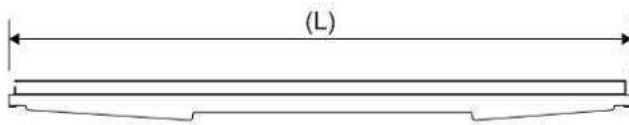
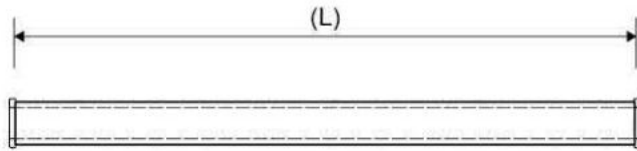
The set consists of a Highline Panel in Brushed Stainless Steel PVD coated Black, heightener set and screws. Can be used with or without Highline Frame. Brass frame not available for Freestanding drain. When using without Highline Frame, ensure rear wall build up allows for equal drainage gap on all sides. Also available in Copper, Brass, Brushed and Polished Stainless Steel



### Specifications

|  |                       |                                  |
|--|-----------------------|----------------------------------|
| <b>ITEM NUMBER</b>                       | <b>GTIN NUMBER</b>    | <b>MATERIAL</b>                  |
| 1920.1017                                | 5707692011677         | Stainless steel (AISI 304)       |
| <b>USAGE</b>                             | <b>SURFACE</b>        | <b>LENGTH MODEL</b>              |
| Linear drain                             | PVD Black             | 1000 mm                          |
| <b>FITS DRAIN UNIT</b>                   | <b>HEIGHTENER SET</b> | <b>LENGTH WITH/WITHOUT FRAME</b> |
| 1001, 1002, 1003, 1004, 1100, 5002, 5003 | Plastic (PE)          | 933/995 mm                       |





**1920.1017**