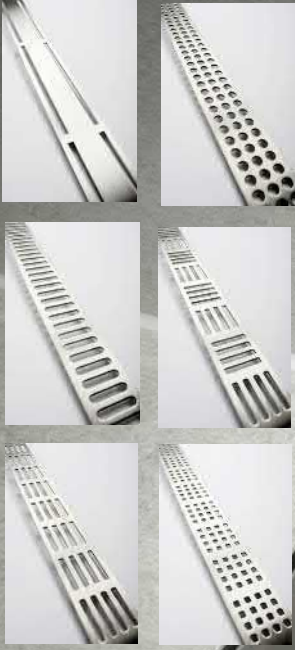


## 1K0800.12001MO1

Kit Size 0800mm x 1200mm - Low Profile Outlet

Can be trimmed to 712mm x 900mm

### GRATE OPTIONS



### KIT CONTAINS

WALL MOUNTED DRAIN  
LOW PROFILE OUTLET  
CLASSICLINE FRAME  
ANNIVERSARIO GRATE  
UNISLOPE PREFORMED  
BOARDS  
TANKING KIT

## 1004.0301 - 600 Model Drain Body

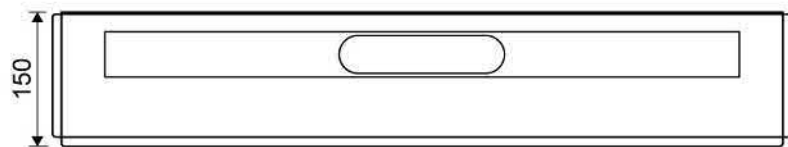
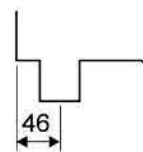
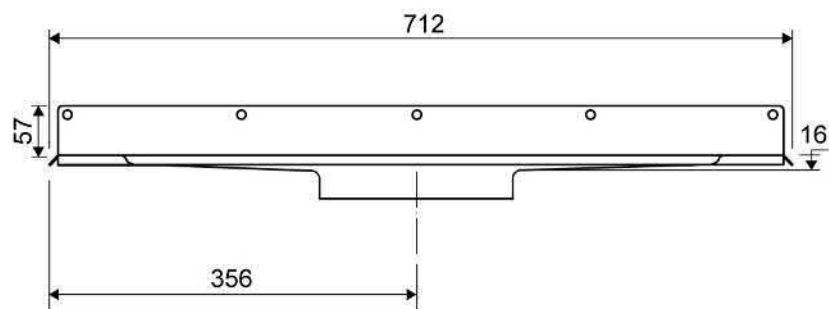
Line 1004

Can be freely positioned against rear wall, independent of any side walls



### Specifications

ITEM NUMBER	GTIN NUMBER	WEIGHT INCLUDING PACKAGING
1004.0600	5707692008431	2410 g
WEIGHT EXCLUDING PACKAGING	MATERIAL	USAGE
2280 g	1,5 mm stainless steel (AISI 304)	Line drain
SURFACE	MEMBRANE	FLOOR CONSTRUCTION
Pickled	Liquid or sheet membrane	All
FLOORING	MOUNTING	CENTER
Tiles	6 mm plugs 6 mm screws. Torx 20	356 mm
INSTALLATION LENGTH (L)	HEIGHT (H)	LENGTH MODEL
712 mm	16 mm	600 mm



**1004.0600**

Products

## 1417.0050 - Low Profile Outlet

Linear 1417.0050

Ø 50 mm horizontal drain

The odour barrier can be removed for cleaning

Can be rotated 180 degrees if a rear-facing outlet is required

Note: Odour barrier is VA-approved

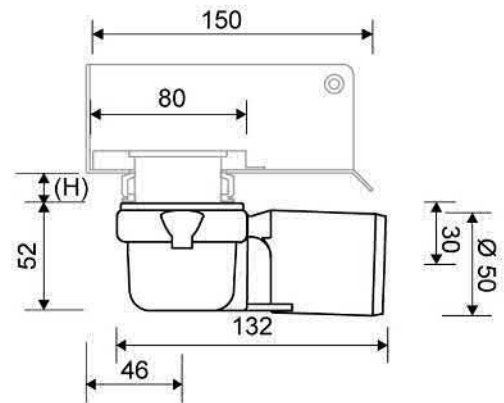
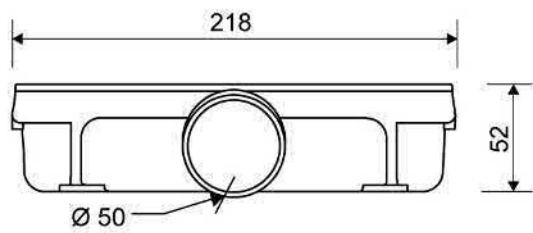
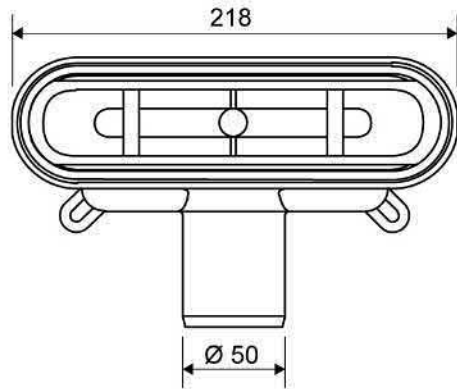


### Specifications

ITEM NUMBER	GTIN NUMBER	WEIGHT INCLUDING PACKAGING
1417.0050	5707692007915	500 g
WEIGHT EXCLUDING PACKAGING	MATERIAL	USAGE
350 g	Plastic (PP)	Line drain
BARRIER	GASKET	CAPACITY
With (odour barrier)	EPDM	0.6 l/s
SIDE INLET	CENTER	FITS DRAIN UNIT
Without	30 mm	1001, 1002, 1003, 1004, 1100, 3002, 3004, 5002, 5003, 4004

#### FITTING HEIGHTS - LINE FAUCETS 1001, 1002, 1003, 1004

Ø	Outlet direction	300	600	700	800	900	1000	1200
Ø 50 mm	Horizontal	64 mm	68 mm	69 mm	70 mm	71 mm	72 mm	74 mm



## 1500.0612 - Classic Line Frame

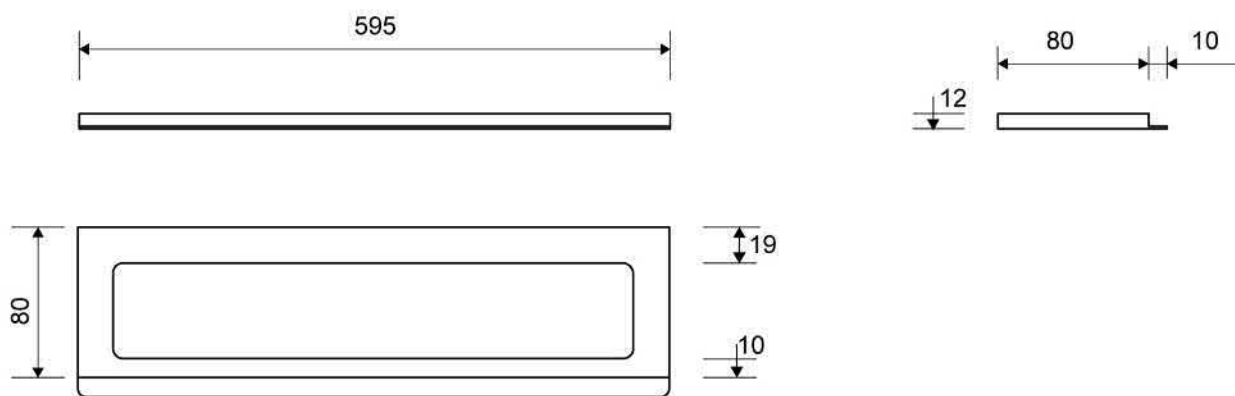
Line 1503Line 1503Line 1503Line 1503Line 1503Line 1503Line 1503Line 1503Line 1503Line 1503Line 1503

Available in 8, 10 and 12 mm heights (depending on the thickness of the floor tile)



### Specifications

<b>ITEM NUMBER</b>	<b>GTIN NUMBER</b>	<b>WEIGHT INCLUDING PACKAGING</b>
1500.0612	5707692011080	70 g
<b>WEIGHT EXCLUDING PACKAGING</b>	<b>MATERIAL</b>	<b>USAGE</b>
52 g	Stainless steel (AISI 304)	Line drain
<b>SURFACE</b>	<b>INSTALLATION LENGTH (L)</b>	<b>HEIGHT (H)</b>
Brushed	595 mm	H 12 mm
<b>LENGTH MODEL</b>	<b>FITS DRAIN UNIT</b>	<b>INSERT</b>
600 mm	1001, 1002, 1003, 1004, 1100, 5002, 5003	Synthetic



**1500.0612**

Products

## 1606.0600 - 600mm Anniversario Grate

Line 1600Line 1600Line 1600Line 1600Line 1600

Only for use with ClassicLine frame

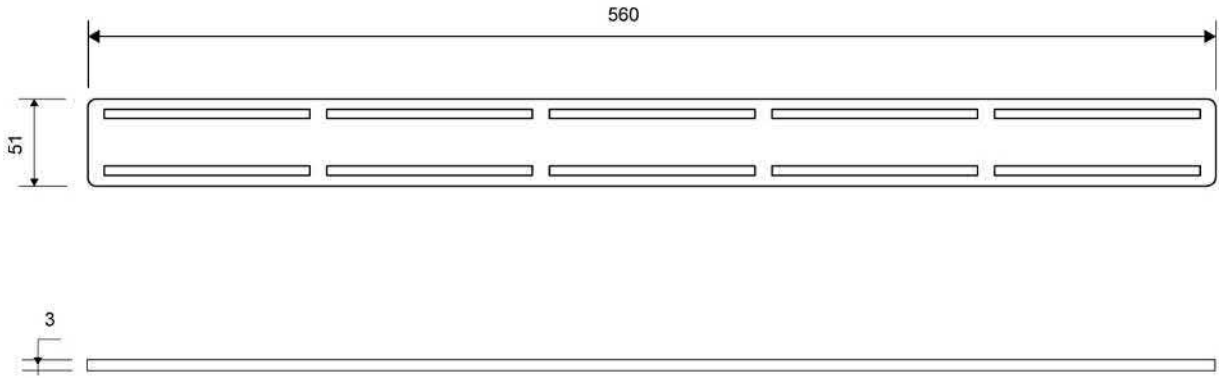
To ensure a snug fit, the grating is placed on a countersunk bearing inside the frame



### Specifications

<b>ITEM NUMBER</b> 1606.0600	<b>GTIN NUMBER</b> 5707692011097	<b>WEIGHT INCLUDING PACKAGING</b> 66 g
<b>WEIGHT EXCLUDING PACKAGING</b> 65 g	<b>MATERIAL</b> Stainless steel (AISI 304)	<b>USAGE</b> Line drain
<b>SURFACE</b> Brushed	<b>LENGTH MODEL</b> 600 mm	<b>DIMENSIONS</b> 3 mm solid3 mm solid3 mm solid3 mm solid3 mm solid





**1606.0600**

Products

## 1K0800.0900 - 800X1200mm Board

UniSlope preformed Board with one way slope / fall built in.

To be used with Unidrain wall mounted linear drain



### Specifications

**Material:** High Density PVC Foam Board (Foamed Rigid Polyvinyl Chloride Board)

**Size with drain:** 800 x 1200mm

**Board thickness:** 23mm sloping to drain (14mm fall)

**Weight:** 8.76kg

**Density:** 50 kg/m<sup>3</sup>

**Tensile Strength:** 11MPa

**Impact Strength:** 12.8KJ/m<sup>2</sup>

**Thermal Conductivity:** 0.07 W/mK

**Temperature Range:** -10°C, +55°C

**Colour:** White

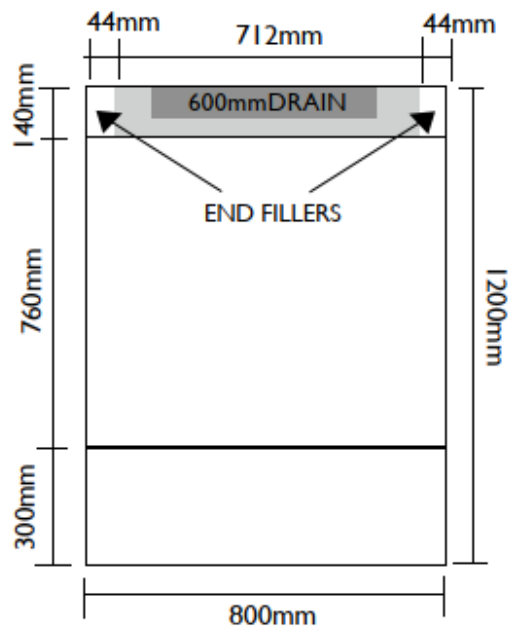
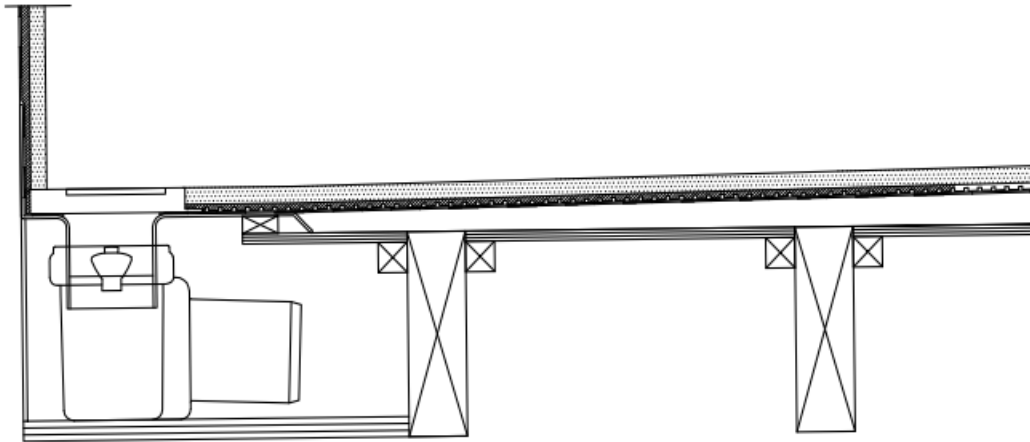
**NFPA Rating:** Health=1, Fire=0, Reactivity=0

**Hazards Identification:** No particular hazards known

**First aid measures:** In general handling the material will not cause accidents.

**Notes:** Dust masks must be worn when cutting UniSlope boards. UniSlope Boards are not load bearing and must be installed on a strong wood or concrete subfloor which is level. Follow UniSlope installation instructions.

**Refer to UniSlope kit drawings and safety data sheet for more information**



Refer to UniSlope kit drawings and safety data sheet for more information

## WMVS30K - Waterproofing Kit

Easy application paint on liquid membrane for waterproofing wet rooms and bathrooms

Contains 12kg liquid membrane, 25m reinforcement trap and 1l primer.



### Specifications

**Material:** acrylic polymers, plasticizer, water and preservative

**Coverage:** 7m<sup>2</sup>

**Can be applied to:** Wood, concrete, metal, plastic, plaster, light clincer concrete, screed, lightweight concrete, stucco, gypsum floors, calcium, silicate plates and various approved wet room plaster boards, gypsum fibre, cement and polystyrene.

**Drying time:** 1st layer 1-2 hours at 18-20°C. 2nd layer approx 12 hours at 18-20°C.

Drying times will vary depending on temperature, ventilation and substrate.

**Application method:** Paint brush and roller.

**Notes:** Room must be primed with Primer 54 included before applying liquid membrane. All major joints must be reinforced using LIP reinforcement tape included. Ensure all areas are dry after each stage before proceeding i.e. Priming, 1st coat and 2nd coat before proceeding. No one can access the area whilst membrane is drying. Once 2nd coat is completely dry, cover membrane with a suitable protective sheet / board until tiled. If a heater is required, do not place too close to the membrane.

**Refer to installation instructions and safety data sheet for more information.**