

3K1500.24883MO1

Kit Size 1500mm x 2488mm - Low Profile Outlet

Can be trimmed to 1312mm x 2028mm



KIT CONTAINS

FREE STANDING DRAIN
LOW PROFILE OUTLET
HIGHLINE PANEL
UNISLOPE PREFORMED
BOARDS
TANKING KIT

3004.1200 - 1200 Model Drain Body

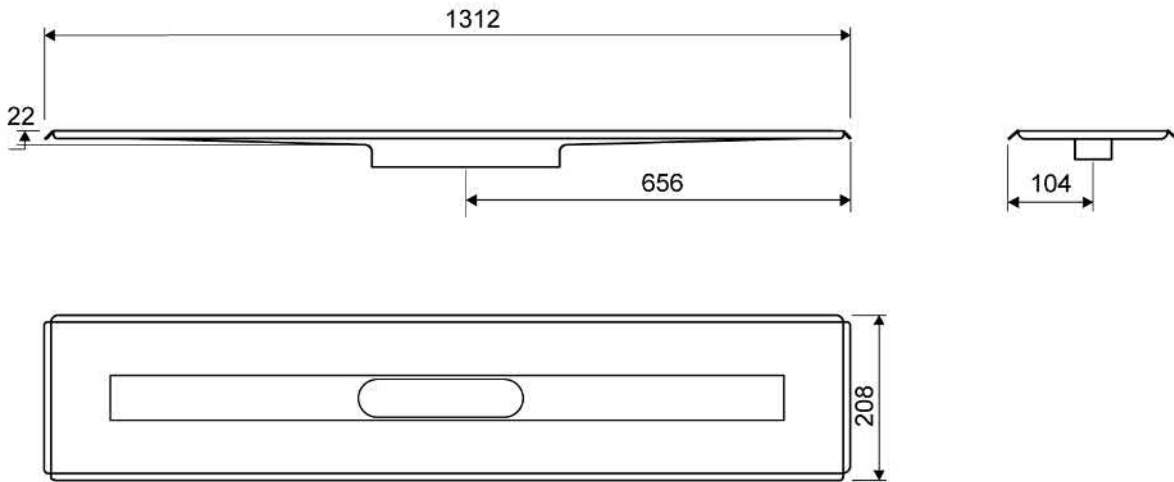
Line 3004

For shower cubicle with no permanent walls



Specifications

| | | |
|-----------------------------------|-----------------------------------|-----------------------------------|
| ITEM NUMBER | GTIN NUMBER | WEIGHT INCLUDING PACKAGING |
| 3004.1200 | 5707692007090 | 4400 g |
| WEIGHT EXCLUDING PACKAGING | MATERIAL | USAGE |
| 4200 g | 1,5 mm stainless steel (AISI 304) | Line drain |
| SURFACE | MEMBRANE | FLOOR CONSTRUCTION |
| Pickled | Liquid or sheet membrane | All |
| FLOORING | MOUNTING | CENTER |
| Tiles | 6 mm plugs 6 mm screws. Torx 20 | 656 mm |
| INSTALLATION LENGTH (L) | HEIGHT (H) | LENGTH MODEL |
| 1312 mm | 22 mm | 1200 mm |



3004.1200

1417.0050 - Low Profile Outlet

Linear 1417.0050

Ø 50 mm horizontal drain

The odour barrier can be removed for cleaning

Can be rotated 180 degrees if a rear-facing outlet is required

Note: Odour barrier is VA-approved

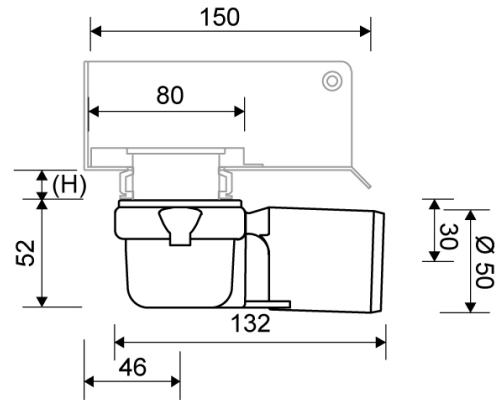
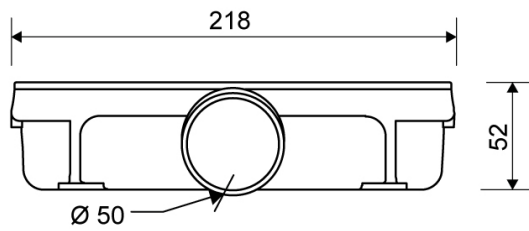
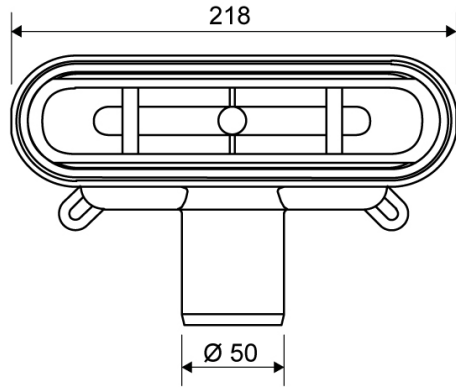


Specifications

| | | |
|----------------------------|---------------|--|
| ITEM NUMBER | GTIN NUMBER | WEIGHT INCLUDING PACKAGING |
| 1417.0050 | 5707692007915 | 500 g |
| WEIGHT EXCLUDING PACKAGING | MATERIAL | USAGE |
| 350 g | Plastic (PP) | Line drain |
| BARRIER | GASKET | CAPACITY |
| With (odour barrier) | EPDM | 0.6 l/s |
| SIDE INLET | CENTER | FITS DRAIN UNIT |
| Without | 30 mm | 1001, 1002, 1003, 1004, 1100, 3002, 3004, 5002, 5003, 4004 |

FITTING HEIGHTS - LINE FAUCETS 1001, 1002, 1003, 1004

| Ø | Outlet direction | 300 | 600 | 700 | 800 | 900 | 1000 | 1200 |
|---------|------------------|-------|-------|-------|-------|-------|-------|-------|
| Ø 50 mm | Horizontal | 64 mm | 68 mm | 69 mm | 70 mm | 71 mm | 72 mm | 74 mm |



1417.0050

3910.1215 - Highline Frame

Line 3910 | HighLine

Frame available in 10, 12, 15 and 25 mm heights (depending on the thickness of the floor tile)

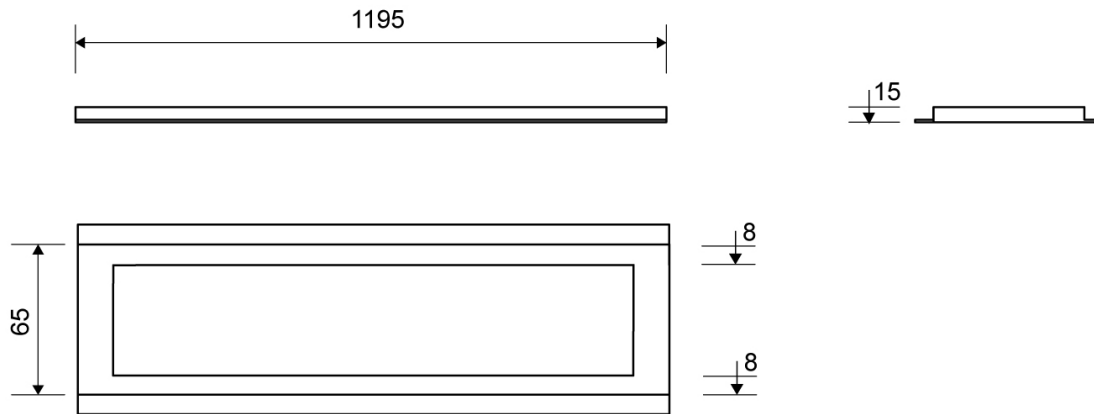
Exclusive design with top in solid 4 mm stainless steel. Insert ensures a snug fit inside the drain unit

Must be used with HighLine PANEL, Cassette or CUSTOM



Specifications

| | | |
|--------------------|---------------------|--------------------------------|
| ITEM NUMBER | GTIN NUMBER | MATERIAL |
| 3910.1215 | 5707692008998 | Stainless steel (AISI 304) |
| USAGE | SURFACE | INSTALLATION LENGTH (L) |
| Line drain | Brushed | 1195 mm |
| HEIGHT (H) | LENGTH MODEL | FITS DRAIN UNIT |
| H 15 mm | 1200 mm | 3004 |
| INSERT | | |
| Synthetic | | |



3910.1215

Products

1920.1200 - 1200 HighLine Panel

HighLine | Panel

Available as solid, brushed stainless steel or frosted glass

Set consists of a panel, rail, heightener set and screws. The set must be assembled before mounting

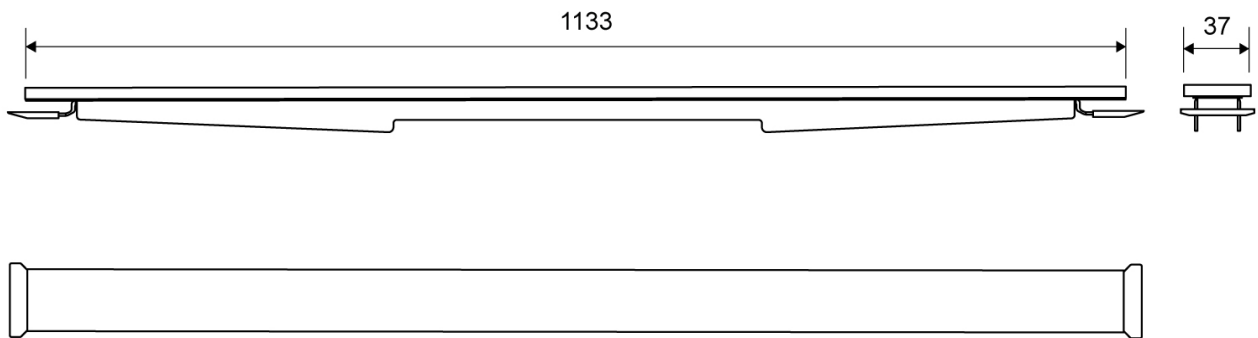
The PANEL solution is placed directly inside the unit. The rail is specially designed to provide a snug fit

Must be combined with a frame



Specifications

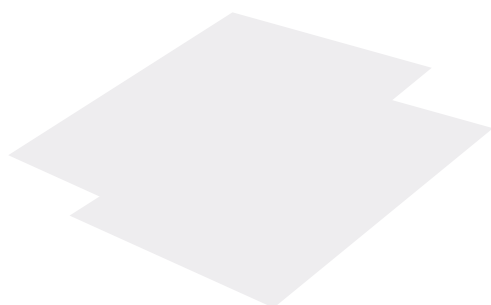
| | | |
|----------------------------|---|----------------------------|
| ITEM NUMBER | GTIN NUMBER | WEIGHT INCLUDING PACKAGING |
| 1920.1200 | 5707692004532 | 3600 g |
| WEIGHT EXCLUDING PACKAGING | MATERIAL | USAGE |
| 3400 g | Stainless steel (AISI 304)/safety float glass | Line drain |
| SURFACE | LENGTH MODEL | HEIGHTENER SET |
| Brushed/frosted | 1200 mm | Plastic (PE) |
| LENGTH WITH/WITHOUT FRAME | | |
| 1133/1195 mm | | |



3K1500.2488 - 1500X2488mm Board

UniSlope preformed Board with slope built in..

To be used with Unidrain wall mounted linear drain



Specifications

Material: High Density PVC Foam Board (Foamed Rigid Polyvinyl Chloride Board)

Size with drain: 1500 x 2488 mm

Board thickness: 19mm sloping to drain (10mm fall)

Weight: 34.40kg

Density: 50 kg/m³

Tensile Strength: 11MPa

Impact Strength: 12.8KJ/m²

Thermal Conductivity: 0.07 W/mK

Temperature Range: -10°C, +55°C

Colour: White

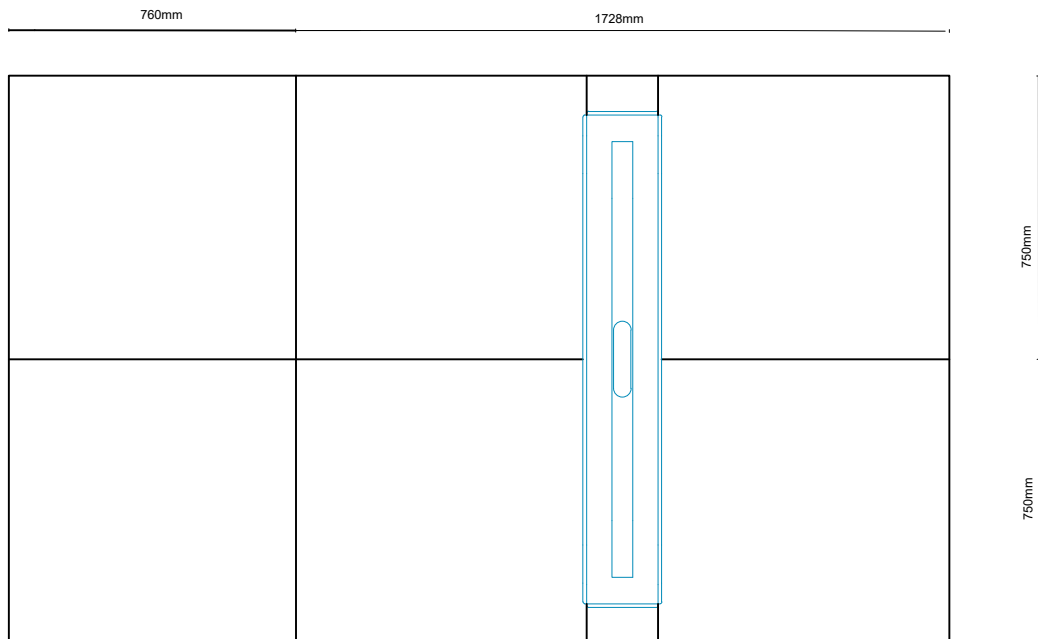
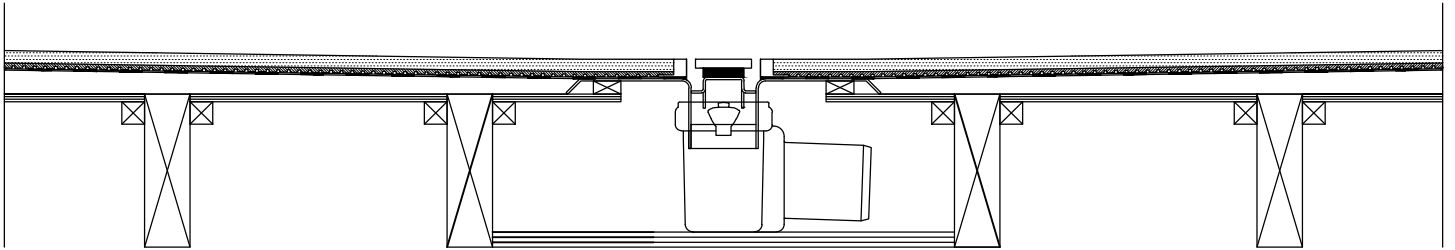
NFPA Rating: Health=1, Fire=0, Reactivity=0

Hazards Identification: No particular hazards known

First aid measures: In general handling the material will not cause accidents.

Notes: Dust masks must be worn when cutting UniSlope boards. UniSlope Boards are not load bearing and must be installed on a strong wood or concrete subfloor which is level. Follow UniSlope installation instructions.

Refer to UniSlope kit drawings and safety data sheet for more information



Refer to UniSlope kit drawings and safety data sheet for more information

WMVS30K - Waterproofing Kit

Easy application paint on liquid membrane for waterproofing wet rooms and bathrooms

Contains 12kg liquid membrane, 25m reinforcement trap and 1l primer.



Specifications

Material: acrylic polymers, plasticizer, water and preservative

Coverage: 7m²

Can be applied to: Wood, concrete, metal, plastic, plaster, light clincer concrete, screed, lightweight concrete, stucco, gypsum floors, calcium, silicate plates and various approved wet room plaster boards, gypsum fibre, cement and polystyrene.

Drying time: 1st layer 1-2 hours at 18-20°C. 2nd layer approx 12 hours at 18-20°C.

Drying times will vary depending on temperature, ventilation and substrate.

Application method: Paint brush and roller.

Notes: Room must be primed with Primer 54 included before applying liquid membrane. All major joints must be reinforced using LIP reinforcement tape included. Ensure all areas are dry after each stage before proceeding i.e. Priming, 1st coat and 2nd coat before proceeding. No one can access the area whilst membrane is drying. Once 2nd coat is completely dry, cover membrane with a suitable protective sheet / board until tiled. If a heater is required, do not place too close to the membrane.

Refer to installation instructions and safety data sheet for more information.