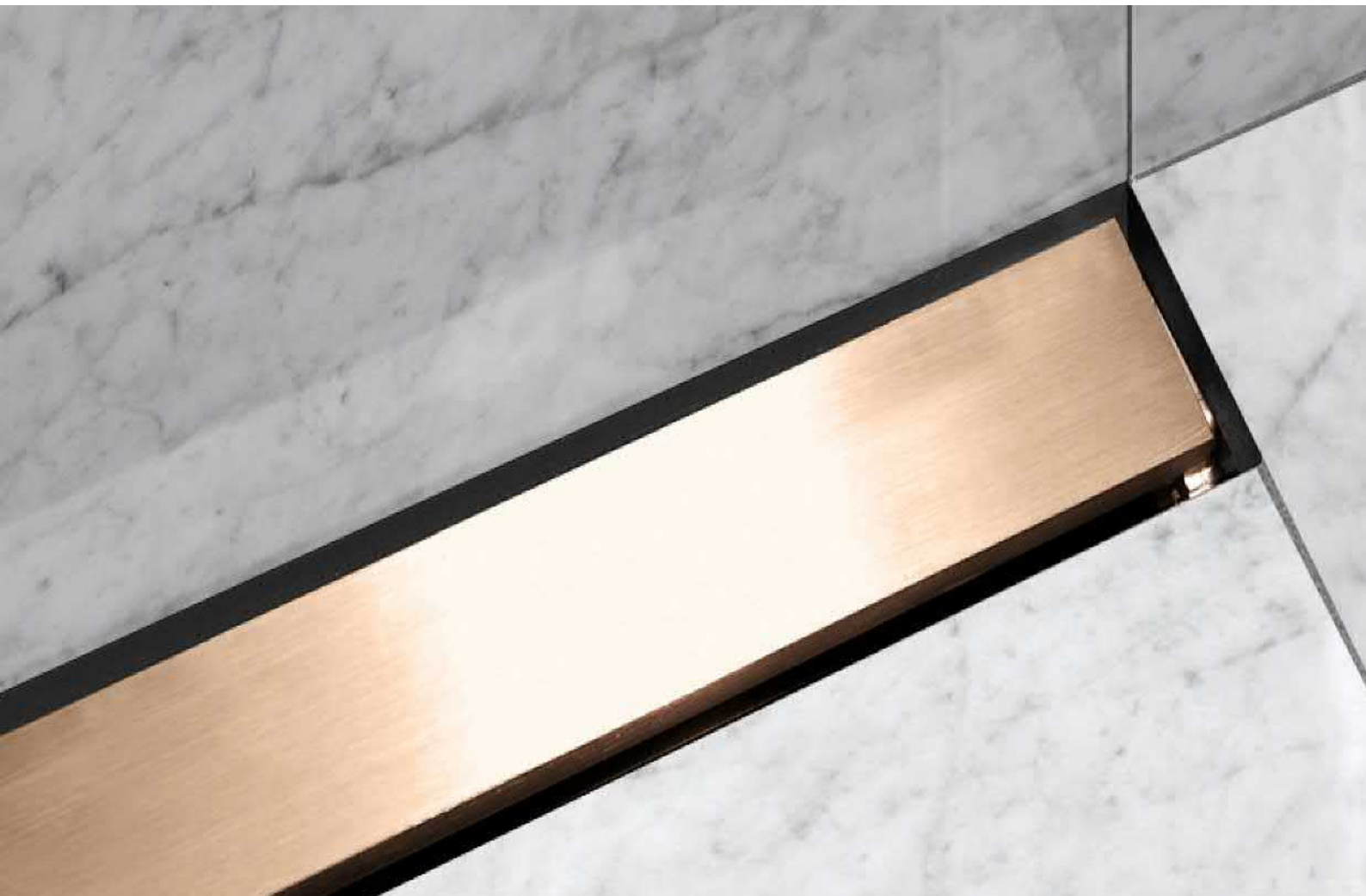


## 3K1000.17286NF

Kit Size 1000mm x 1728mm - Standard Outlet

Can be trimmed to 812 mm x 500 mm



### KIT CONTAINS

FREE STANDING DRAIN  
STANDARD OUTLET  
HIGHLINE PANEL  
UNISLOPE PREFORMED  
BOARDS  
TANKING KIT

## 3004.0700 - 700 Model Drain Body

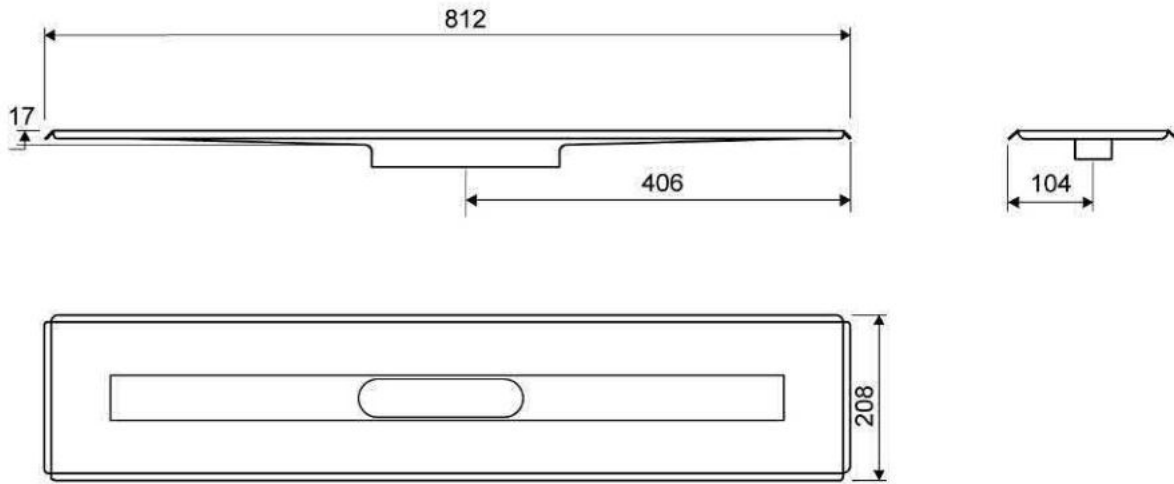
Line 3004

For shower cubicle with no permanent walls



### Specifications

|                            |                                   |                            |
|----------------------------|-----------------------------------|----------------------------|
| ITEM NUMBER                | GTIN NUMBER                       | WEIGHT INCLUDING PACKAGING |
| 3004.0700                  | 5707692006130                     | 3500 g                     |
| WEIGHT EXCLUDING PACKAGING | MATERIAL                          | USAGE                      |
| 3260 g                     | 1,5 mm stainless steel (AISI 304) | Line drain                 |
| SURFACE                    | MEMBRANE                          | FLOOR CONSTRUCTION         |
| Pickled                    | Liquid or sheet membrane          | All                        |
| FLOORING                   | MOUNTING                          | CENTER                     |
| Tiles                      | 6 mm plugs 6 mm screws. Torx 20   | 406 mm                     |
| INSTALLATION LENGTH (L)    | HEIGHT (H)                        | LENGTH MODEL               |
| 812 mm                     | 17 mm                             | 700 mm                     |



**3004.0700**

## 1416.0050 - Multi Directional Outlet

Line 1416.0050

Ø 50 mm horizontal drain

Can be rotated 180 degrees if a rear-facing outlet is required.

Note two drains. Cannot be used as an inlet.



### Specifications

|                            |               |  |
|----------------------------|---------------|--|
| ITEM NUMBER                | GTIN NUMBER   | WEIGHT INCLUDING PACKAGING                                 |
| 1416.0050                  | 5707692012520 | 505 g  |
| WEIGHT EXCLUDING PACKAGING | MATERIAL      | USAGE  |
| 312 g                      | Plastic (PP)  | Line drain   |
| BARRIER                    | GASKET        | CAPACITY   |
| With                       | EPDM          | 0,8 l/s  |
| SIDE INLET                 | CENTER        | FITS DRAIN UNIT  |
| Without                    | 32 mm         | 1001, 1002, 1003, 1004, 1100, 3002, 3004, 5002, 5003, 4004 |

#### FITTING HEIGHTS - LINE FAUCETS 1001, 1002, 1003, 1004

| Ø       | Outlet direction | 300   | 600    | 700    | 800    | 900    | 1000   | 1200   |
|---------|------------------|-------|--------|--------|--------|--------|--------|--------|
| Ø 50 mm | Horizontal       | 98 mm | 102 mm | 103 mm | 104 mm | 105 mm | 106 mm | 108 mm |



## 1920.0716 - 700 HighLine Panel

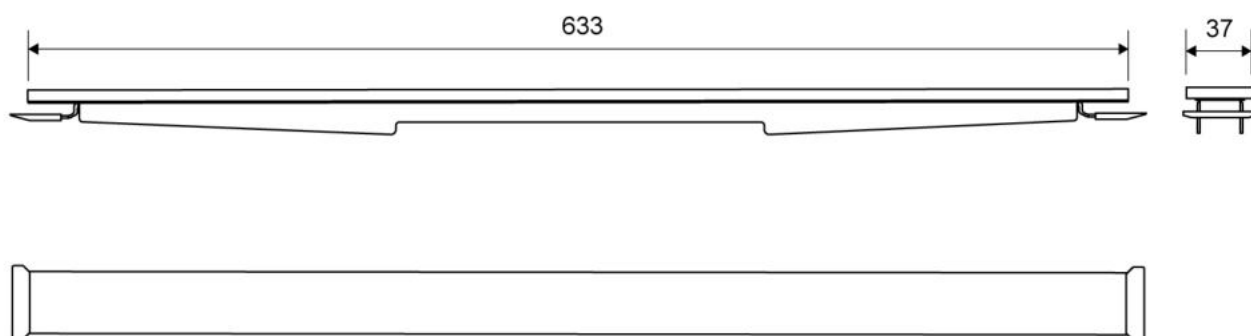
HighLine Colour Panel | Copper

Should always be combined with a frame



### Specifications

|  |                       |                                  |
|--|-----------------------|----------------------------------|
| <b>ITEM NUMBER</b>                       | <b>GTIN NUMBER</b>    | <b>MATERIAL</b>                  |
| 1920.0716                                | 5707692009810         | Stainless steel (AISI 304)       |
| <b>USAGE</b>                             | <b>SURFACE</b>        | <b>LENGTH MODEL</b>              |
| Linear drain                             | PVD Copper            | 700 mm                           |
| <b>FITS DRAIN UNIT</b>                   | <b>HEIGHTENER SET</b> | <b>LENGTH WITH/WITHOUT FRAME</b> |
| 1001, 1002, 1003, 1004, 1100, 5002, 5003 | Plastic (PE)          | 633/695 mm                       |



**1920.0716**

Products

## 3K1000.1728 - 1000X1728mm Board

UniSlope preformed Board with slope built in..

To be used with Unidrain wall mounted linear drain



### Specifications

**Material:** High Density PVC Foam Board (Foamed Rigid Polyvinyl Chloride Board)

**Size with drain:** 1000 x 1728 mm

**Board thickness:** 19mm sloping to drain (10mm fall)

**Weight:** 12.40kg

**Density:** 50 kg/m<sup>3</sup>

**Tensile Strength:** 11MPa

**Impact Strength:** 12.8KJ/m<sup>2</sup>

**Thermal Conductivity:** 0.07 W/mK

**Temperature Range:** -10°C, +55°C

**Colour:** White

**NFPA Rating:** Health=1, Fire=0, Reactivity=0

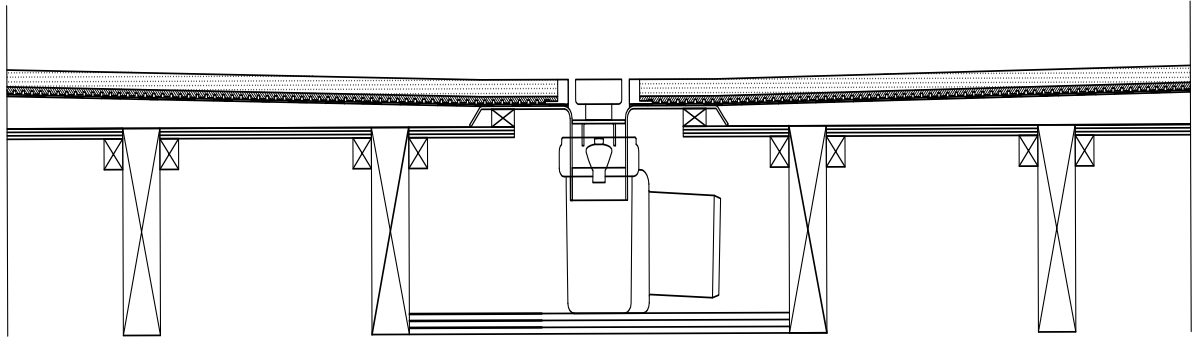
**Hazards Identification:** No particular hazards known

**First aid measures:** In general handling the material will not cause accidents.

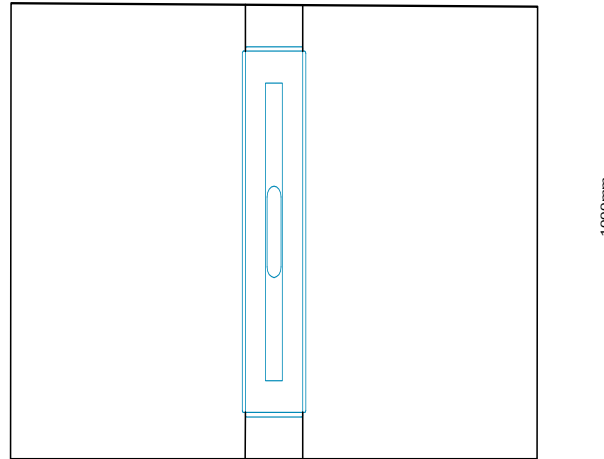
**Notes:** Dust masks must be worn when cutting UniSlope boards. UniSlope Boards are not load bearing and must be installed on a strong wood or concrete subfloor which is level. Follow UniSlope installation instructions.

**Refer to UniSlope kit drawings and safety data sheet for more information**





1728mm



1000mm

**Refer to UniSlope kit drawings and safety data sheet for more information**

## WMVS30K - Waterproofing Kit

Easy application paint on liquid membrane for waterproofing wet rooms and bathrooms

Contains 12kg liquid membrane, 25m reinforcement trap and 1l primer.



### Specifications

**Material:** acrylic polymers, plasticizer, water and preservative

**Coverage:** 7m<sup>2</sup>

**Can be applied to:** Wood, concrete, metal, plastic, plaster, light clincer concrete, screed, lightweight concrete, stucco, gypsum floors, calcium, silicate plates and various approved wet room plaster boards, gypsum fibre, cement and polystyrene.

**Drying time:** 1st layer 1-2 hours at 18-20°C. 2nd layer approx 12 hours at 18-20°C.  
Drying times will vary depending on temperature, ventilation and substrate.

**Application method:** Paint brush and roller.

**Notes:** Room must be primed with Primer 54 included before applying liquid membrane. All major joints must be reinforced using LIP reinforcement tape included. Ensure all areas are dry after each stage before proceeding i.e. Priming, 1st coat and 2nd coat before proceeding. No one can access the area whilst membrane is drying. Once 2nd coat is completely dry, cover membrane with a suitable protective sheet / board until tiled. If a heater is required, do not place too close to the membrane.

**Refer to installation instructions and safety data sheet for more information.**