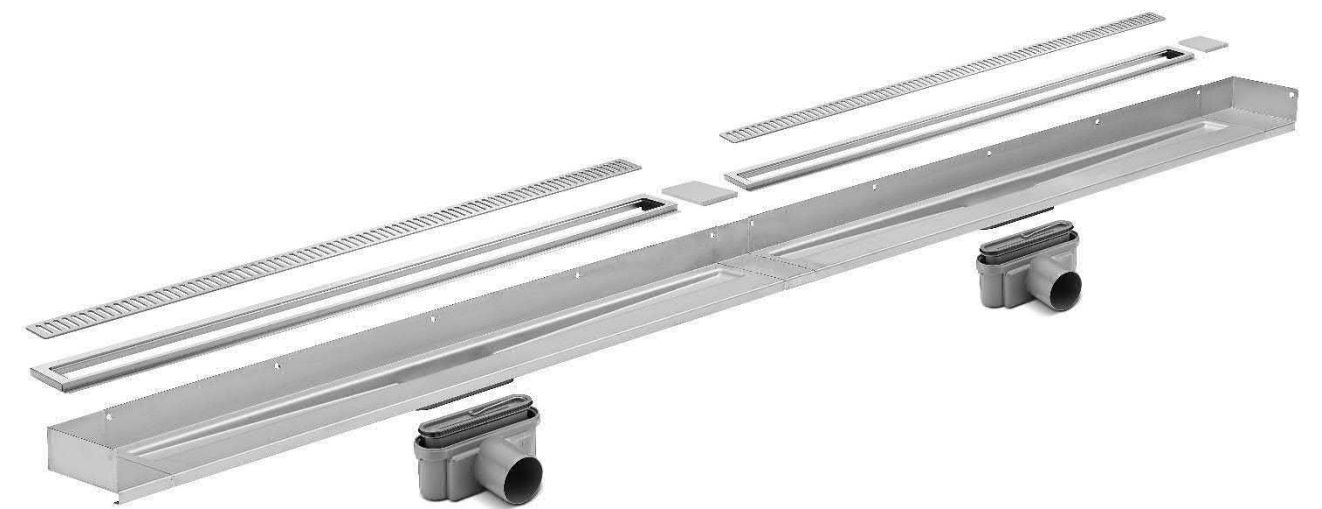




## BESPOKE DRAINS

MADE TO YOUR SIZE

- MULTIPLE OUTLETS FOR MAXIMUM DRAINAGE
- ONE WAY SLOPE - NO STAGNANT WATER
- EASY TO CLEAN BY REMOVING GRATE / TILE AND TRAP
- MAIN BODY PRESSED FROM 1.5MM STAINLESS STEEL
- STABLE AND SAFE WITH LARGE METAL SURFACE FLANGES FOR SECURING WATERPROOFING
- INTERNAL CHANNEL WITHIN THE DRAIN TO PREVENT STAGNANT WATER
- BBA APPROVED



### SIMPLE CLEANING PROCESS



### NEW

TRUSTED AND APPROVED



BS EN 1253



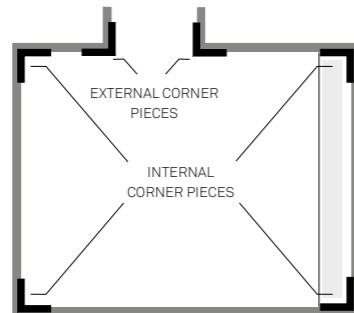
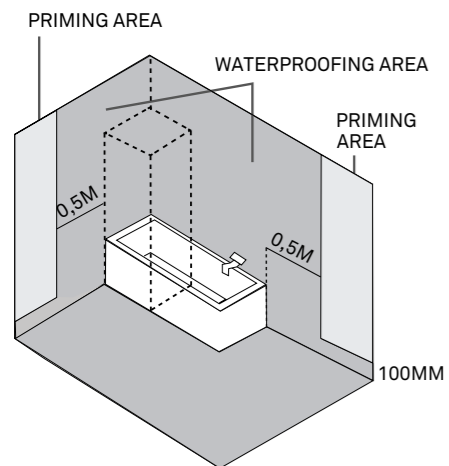
UNIQUE SCANDINAVIAN  
WET ROOM SOLUTIONS

UniSlope®  unidrain®

## LIP FOUNDATION MATERIALS

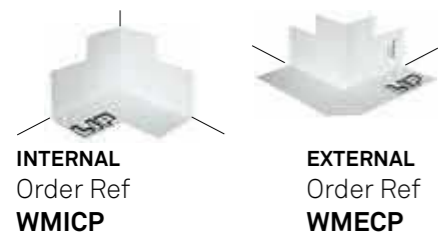
OUR FOUNDATIONS MATERIALS OFFER A RANGE OF PRODUCTS TO COMPLETE YOUR WET ROOM INSTALLATION. DESIGNED TO WORK TOGETHER AND COMPLIMENT THE PROPERTIES OF EACH PRODUCT, THEY HAVE A RANGE OF APPROVALS FROM EC1 PLUS TO ETAG 022 (EUROPEAN TECHNICAL APPROVAL GUIDELINES).

### SUGGESTED WATERPROOFING AREA



### CORNER PIECES

LIP preformed reinforcement tape is used to secure the internal/external corner joints of the wet room. This is used with the LIP VS30.



**INTERNAL**  
Order Ref  
**WMICP**

**EXTERNAL**  
Order Ref  
**WMECP**

### WET ROOM SCREED

LIP 226 is cement based tension free and fibre reinforced. It retains a slope and goes from 2mm to any thickness in one application.

Coverage: 1.8kg per m<sup>2</sup> at 1mm thickness.  
25kgs Bags



Order Ref  
**WM226**

### WET ROOM TILE ADHESIVE

LIP multi tile adhesive (white) is a special, high elasticity, cement-based tile adhesive with great tensile strength. Ideal for wet rooms and showers.

Coverage: 2.5kg per m<sup>2</sup> at 1mm thickness depending on type of tile.  
25kgs Bags



Order Ref  
**WMSTF25**

### WATERPROOFING MEMBRANE

Easy paint-on application suitable for wood and cement based products. The membrane is designed to move and stretch with your building. Kit consists of Primer, Joint Tape and Liquid Membrane. Coverage: 7-8sqm's with two applications.

Order Ref  
**WMVS30K**



### TRANSPARENT SILICONE

Provides a flexible waterproof seal for movement joints. The transparent silicone helps protect your bathroom while not impacting its appearance.

Order Ref  
**WMTS**



## INSTALLATION / MAINTENANCE KITS

### INSTALLATION KIT

The LIP installation kit comes with all the components you need to complete your wetroom installation.

#### Kit Includes

- 25kg bag of specialist wet room tile adhesive.
- Coverage: 2.5kg per m<sup>2</sup> at 1mm thickness depending on tiles.
- Two internal corner pieces to reinforce corner joints.
- WM Bonding glue.
- WM transparent silicone.

Order Ref  
**WMIKU**



### MAINTENANCE KIT

We recommend you clean your wetroom drain thoroughly at least every 6-8 weeks to improve longevity. The maintenance kit comes with everything you need to look after your wet room.

#### Kit includes

- The hook allows you to lift the grate without causing any damage.
- The strainer helps keep the drain clear and is easy to wipe clean.
- WM Cleanser removes lime scale and grease.
- WM Polish treats chrome, stainless steel, tiles and sanitary ware to give a perfect finish.
- WM Grout Sealer should be regularly used to seal grout lines so they cannot absorb water.
- One cloth for cleaning the drain, sanitary ware and tiles.
- One cloth for streak free glass.

**Do not use cleaning agents with a high concentration of fluorine, chlorine or hydrogen peroxide.**

Order Ref  
**WMMK**



**NO HARMFUL CHEMICALS**  
**100% ENVIRONMENTALLY FRIENDLY**  
**BIODEGRADABLE**

### PURESTEP ACOUSTIC DECOUPLING MAT

Designed to neutralise tension from the subfloor to minimise impact of movement and protect floor tiles. PureStep also provides acoustic reduction properties which reduces sound by up to 13dB.

Order Ref  
1m x 5m  
**WMPS05**  
1m x 10m  
**WMPS10**  
1m x 20m  
**WMPS20**





# ABOUT WET ROOM MATERIALS

DRIVEN BY INNOVATION WITH A PASSION FOR QUALITY AND SERVICE

Adopting Scandinavian principles and regulations, the Wet Room Materials range conforms to the design principles of Simplicity, Functionality and Minimalism – providing the highest level of aesthetics and technical design.

For more than 15 years, Wet Room Materials have been enhancing wet room design by introducing luxury Scandinavian design lead products into the UK and Irish bathroom industry.

Originally established as an installation company, Wet Room Materials are now a market leader in the distribution of exclusive wet room products and services. Along with having an exceptional product portfolio, we can provide a highly qualified, Danish trained installation service, producing an effective and professional finish to every project.

Built from a passionate and dedicated team, we create close relationships with architects, designers, developers and showrooms to best understand specific requirements, ensuring they are fulfilled effectively; offering a turnkey approach with all projects and enquiries.

Our products and professionalism have a proven track record within the residential and commercial sectors, evoking long-term relationships and repeat business. We trust that you endorse this sentiment along with many of our loyal clients.

## DISCOVER MORE



FULL PRODUCT  
BROCHURE



THE ARCHITECT'S  
WET ROOM  
DESIGN GUIDE



REQUEST A CPD



wet room materials

Wet Room Materials UK  
Derwentside  
25 Town Street  
Duffield Belper  
Derbyshire  
DE56 4EH  
England  
+ 44 (0) 1332 840 820

[sales@wetroommaterials.com](mailto:sales@wetroommaterials.com)  
[www.wetroommaterials.com](http://www.wetroommaterials.com)

Wetoom Materials Ireland  
Unit E1  
Ballymount Ind Est  
Walkinstown  
Co. Dublin  
D12 WR60  
Ireland  
+353 (0)1 2973488