

THE PLATINUM COLLECTION
SCANDINAVIAN WETROOM SOLUTIONS

WALL MOUNTED UNIDRAIN®

CLASSICLINE

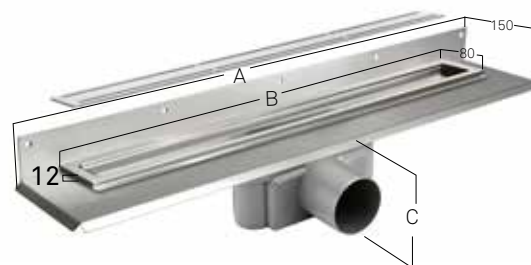
THE WALL MOUNTED DRAIN ALLOWS YOU TO HAVE ONE SLOPE, MAKING IT IDEAL FOR LARGE TILES IF YOU WISH AND YOU NO LONGER HAVE TO STAND ON THE DRAIN IN THE SHOWER.

BENEFITS

- Classicline 12mm frame and grate in a brushed stainless steel finish.
- 54ltrs of water per minute per outlet.
- Easy to clean by removing grate and trap.
- Main drain body pressed from 1.5mm stainless steel.
- Stable and safe with large metal surface flanges for secure waterproofing.
- Internal channel within the drain to prevent stagnant water.
- Approved for wooden and concrete construction.
- No sharp edges.
- BBA approved.



Model No.	A Structural Length	B Visual Length	C Drain Depth	Kit Order Ref	Dimensions
300	432	300	98	1004.0300K1	
600	712	600	102	1004.0600K1	
700	812	700	103	1004.0700K1	
800	912	800	104	1004.0800K1	
900	1012	900	105	1004.0900K1	
1000	1112	1000	106	1004.1000K1	
1200	1312	1200	107	1004.1200K1	
1400	1509	1400	103	1004.1400K1	
1600	1709	1600	104	1004.1600K1	
1800	1909	1800	105	1004.1800K1	



CHOOSE YOUR GRATE STYLE



Classic



Column



Inca



Square



Stripe



Anniversario



Linear Drain Strainer
Order Ref
WM1810.0010
Page 92



Hook
Order Ref
WM1840.0000
Page 92



Maintenance Kit
Order Ref
WMMK
Page 91



Installation Kit
Order Ref
WMIKU
Page 91



Tanking Kit
Order Ref
WMVS30K
Page 90



WALL MOUNTED UNIDRAIN®

HIGHLINE CUSTOM

THE WALL MOUNTED DRAIN ALLOWS YOU TO HAVE ONE SLOPE, USE LARGE TILES IF YOU WISH AND YOU NO LONGER HAVE TO STAND ON THE DRAIN IN THE SHOWER. THIS RANGE ALLOWS YOU TO TILE INTO YOUR DRAIN AND MAKE THE DRAIN COMPLETELY INVISIBLE. PERFECT FOR STONE AND PORCELAIN TILES. THIS RANGE COMES WITH ALL THE COMPONENTS BELOW.

BENEFITS

- 54ltrs of water per minute per outlet.
- Easy to clean by removing cover and trap.
- Main drain body pressed from 1.5mm stainless steel.
- Stable and safe with large metal surface flanges for secure waterproofing.
- Internal channel within the drain to prevent stagnant water.
- Approved for wooden and concrete construction.
- No sharp edges.
- BBA approved.



Model No.	A Structural Length	B Visual Length	C Drain Depth	Kit Order Ref	Dimensions
300	432	253	98	1004.0300K2	
600	712	533	102	1004.0600K2	
700	812	633	103	1004.0700K2	
800	912	733	104	1004.0800K2	
900	1012	833	105	1004.0900K2	
1000	1112	933	106	1004.1000K2	
1200	1312	1133	108	1004.1200K2	
1400	1509	633x2	103	1004.1400K2	
1600	1709	733x2	104	1004.1600K2	
1800	1909	833x2	105	1004.1800K2	



Linear Drain Strainer
Order Ref
WM1810.0010
Page 92



Hook
Order Ref
WM1840.0000
Page 92



Maintenance Kit
Order Ref
WMMK
Page 91



Installation Kit
Order Ref
WMIKU
Page 91



Tanking Kit
Order Ref
WMVS30K
Page 90



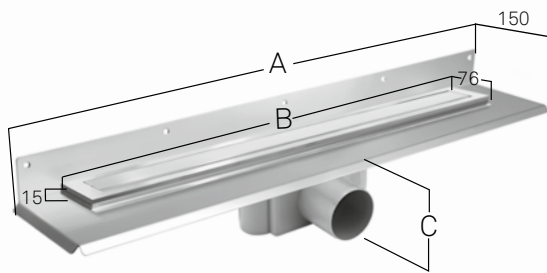
WALL MOUNTED UNIDRAIN®

HIGHLINE PANEL

THE WALL MOUNTED DRAIN ALLOWS YOU TO HAVE ONE SLOPE DOWN TO THE DRAIN. YOU NO LONGER HAVE TO STAND ON THE DRAIN WHILST SHOWERING. IT'S IDEAL FOR LARGE FORMAT TILES, STONE AND POURED FLOORS.

BENEFITS

- Solid stainless steel panel with frame in a range of different finishes.
- PVD Durable Coating.
- 54ltrs of water per minute per outlet.
- Easy to clean by removing panel and trap.
- Main drain body pressed from 1.5mm stainless steel.
- Stable and safe with large metal surface flanges for secure waterproofing.
- Internal channel within the drain to prevent stagnant water.
- Approved for wooden and concrete construction.
- BBA approved.



DESIGN OPTIONS

WITH FRAME



Model No.	A Structural Length	B Visual Length	C Drain Depth	Brushed Stainless Steel Kit Order Ref	Panel Brass Kit Order Ref	Panel Copper Kit Order Ref	Panel Black Kit Order Ref	Polished Stainless Steel Kit Order Ref
300	432	300	98	1004.0300K3	1004.0300K5	1004.0300K6	1004.0300K7	1004.0300K8
600	712	600	102	NA	NA	NA	NA	NA
700	812	700	103	1004.0700K3	1004.0700K5	1004.0700K6	1004.0700K7	1004.0700K8
800	912	800	104	1004.0800K3	1004.0800K5	1004.0800K6	1004.0800K7	1004.0800K8
900	1012	900	105	1004.0900K3	1004.0900K5	1004.0900K6	1004.0900K7	1004.0900K8
1000	1112	1000	106	1004.1000K3	1004.1000K5	1004.1000K6	1004.1000K7	1004.1000K8
1200	1312	1200	108	1004.1200K3	1004.1200K5	1004.1200K6	1004.1200K7	1004.1200K8
1400	1509	1400	103	1004.1400K3	1004.1400K5	1004.1400K6	1004.1400K7	1004.1400K8
1600	1709	1600	104	1004.1600K3	1004.1600K5	1004.1600K6	1004.1600K7	1004.1600K8
1800	1909	1800	105	1004.1800K3	1004.1800K5	1004.1800K6	1004.1800K7	1004.1800K8



Linear Drain Strainer
Order Ref
WM1810.0010
Page 92



Hook
Order Ref
WM1840.0000
Page 92



Maintenance Kit
Order Ref
WMMK
Page 91



Installation Kit
Order Ref
WMIKU
Page 91



Tanking Kit
Order Ref
WMVS30K
Page 90



Highline Panel | Brass

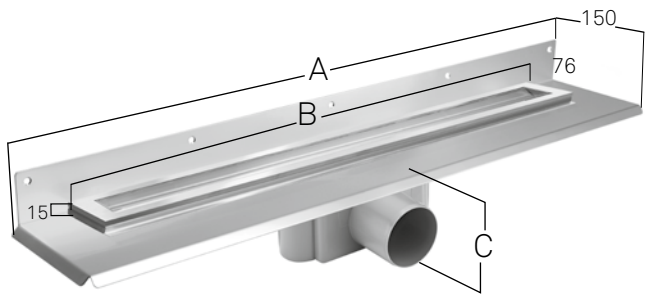
WALL MOUNTED UNIDRAIN®

HIGHLINE CASSETTE

THE WALL MOUNTED DRAIN ALLOWS YOU TO HAVE ONE SLOPE, USE LARGE OR SMALL TILES. IDEAL FOR POURED FLOORS SUCH AS POLISHED CONCRETE AND RESIN. YOU NO LONGER HAVE TO STAND ON THE DRAIN IN THE SHOWER.

BENEFITS

- Brushed stainless steel frame and cassette
- 54ltrs of water per minute per outlet.
- Easy to clean by removing cassette and trap.
- Main body pressed from 1.5mm stainless steel.
- Stable and safe with large metal surface flanges for secure waterproofing.
- Internal channel within the drain to prevent stagnant water.
- Approved for wooden and concrete construction.
- No sharp edges.
- BBA approved. 

Model No.	A Structural Length	B Visual Length	C Drain Depth	Kit Order Ref	Dimensions
300	432	300	98	1004.0300K4	
600	712	600	102	NA	
700	812	700	103	1004.0700K4	
800	912	800	104	1004.0800K4	
900	1012	900	105	1004.0900K4	
1000	1112	1000	106	1004.1000K4	
1200	1312	1200	108	1004.1200K4	
1400	1509	1400	103	1004.1400K4	
1600	1709	1600	104	1004.1600K4	
1800	1909	1800	105	1004.1800K4	



Linear Drain Strainer
Order Ref
WM1810.0010
Page 92



Hook
Order Ref
WM1840.0000
Page 92



Maintenance Kit
Order Ref
WMMK
Page 91



Installation Kit
Order Ref
WMIKU
Page 91



Tanking Kit
Order Ref
WMVS30K
Page 90



unidrain