

# UNIDRAIN OUTLET OPTIONS

WE STOCK A WIDE RANGE OF OUTLETS FROM LOW PROFILE TO HIGH CAPACITY. OUTLETS CAN BE CHANGED TO SUIT YOUR FLOOR CONSTRUCTION AND PROJECT REQUIREMENTS. BELOW ARE THE MOST POPULAR OUTLETS.

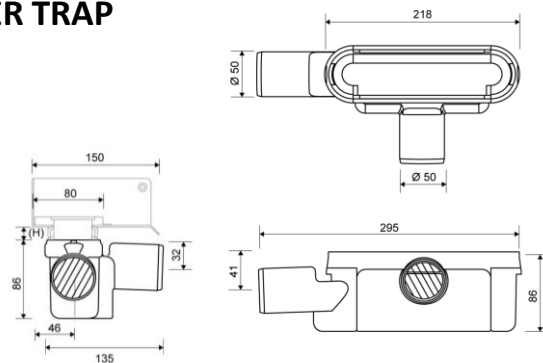


**Standard Outlet**  
Unidrain can be used with a large range of outlets to suit difference scenarios

## STANDARD OUTLET WITH 50MM WATER TRAP



- Choice of pipework directions
- 54 l/min capacity
- 50mm pipe work with 1.5" adapter
- Removable Trap for cleaning
- Can be turned 180°

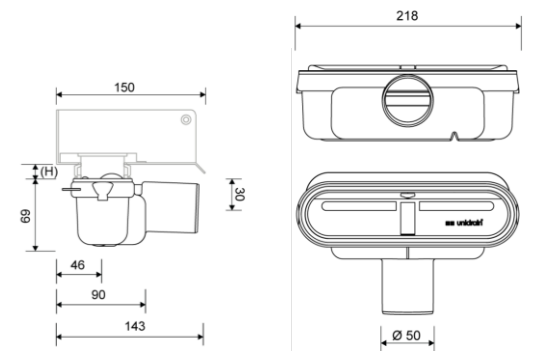


Product Code 1416.0050

## LOW PROFILE WITH 50MM WATER TRAP



- New low profile design
- 32 l/min capacity
- 50mm pipe work with 1.5" adapter
- Removable Trap for cleaning
- Can be turned 180°

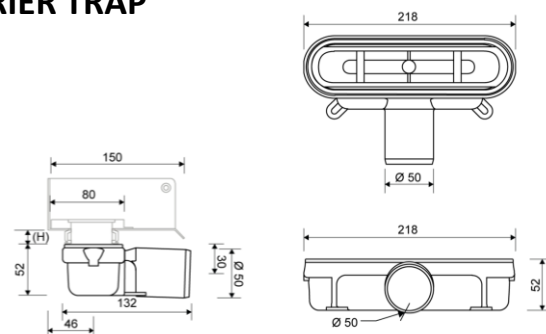


Product Code 1418.0050

## LOW PROFILE WITH ANTI ODOUR BARRIER TRAP



- Installation depth from only 64mm
- 36 l/min capacity
- 50mm pipe work with 1.5" adapter
- Removable Trap for cleaning
- Can be turned 180°

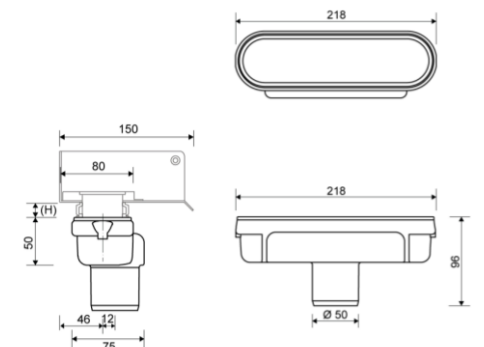


Product Code 1417.0050

## VERTICAL WITH ANTI ODOUR BARRIER



- Vertical pipework
- 36 l/min capacity
- 50mm pipe work with 1.5" adapter
- Removable Trap for cleaning



Product Code 1312.0050

# UNIDRAIN OUTLET OPTIONS

WE STOCK A WIDE RANGE OF OUTLETS FROM LOW PROFILE TO HIGH CAPACITY. OUTLETS CAN BE CHANGED TO SUIT YOUR FLOOR CONSTRUCTION AND PROJECT REQUIREMENTS. BELOW ARE THE MOST POPULAR OUTLETS.

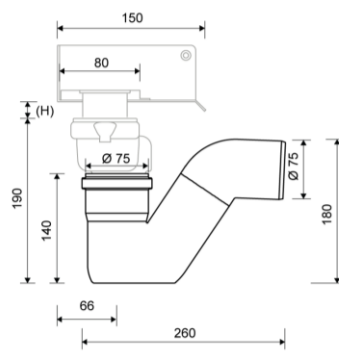


**Standard Outlet**  
Unidrain can be used with a large range of outlets to suit different scenarios

## HIGH CAPACITY SELF CLEANING OUTLET



- 102 l/min capacity
- 75mm pipe work with 2" adapter
- Self cleaning P Trap
- Can be turned 360°

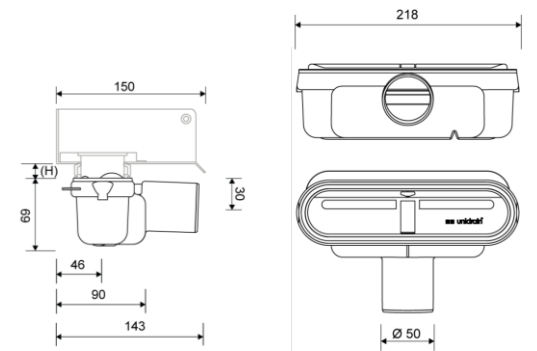


Product Code 1312.0075 + P Trap

## HIGH CAPACITY VERTICAL OUTLET



- Vertical pipework
- 90 l/min capacity
- 75mm pipe work with 2" adapter
- Removable Trap for cleaning



Product Code 1412.0075

