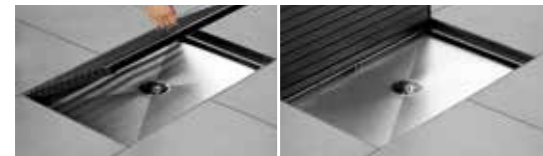
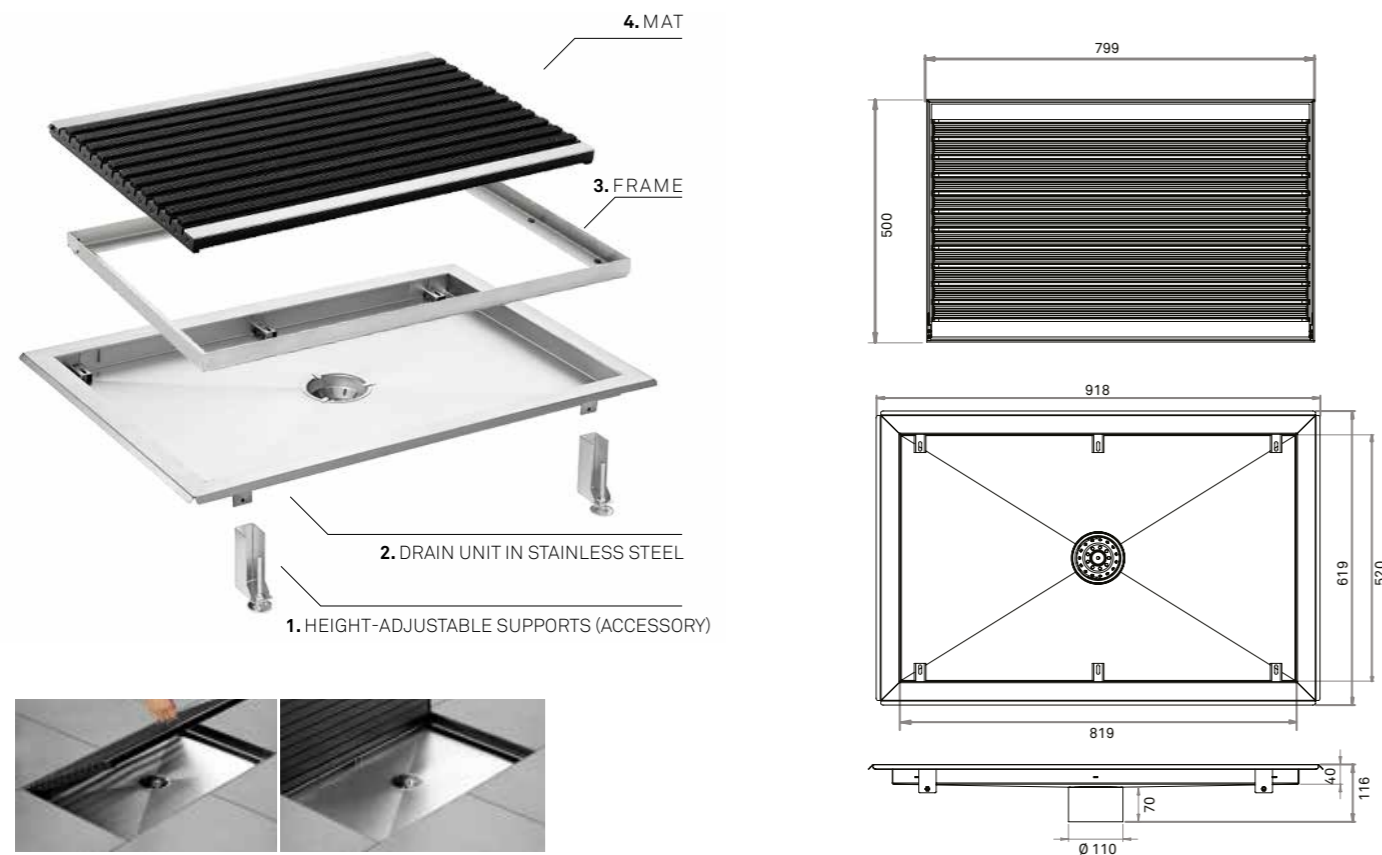


UNIDRAIN® MATLINE



MATLINE IS A FANTASTIC DESIGN FOR THE MODERN HOME. IDEAL FOR AN ACTIVE FAMILY, THE INTELLIGENT MAT SYSTEM IS HIGHLY FUNCTIONAL AND ELEGANT. IT SOLVES THE EVERYDAY PROBLEM OF DIRT IN THE HOME.



BENEFITS

- Matline combines design and functionality and is a must have for the stylish modern home.
- Consisting of a mat made from long-lasting UV nylon brushes surrounded by a stainless steel frame and floor drain. Matline minimises excess dirt from entering the home.
- Matline can be installed into any floor construction and may be connected to the existing drainage system.
- Matline is ideal for indoor use including utility rooms, kitchens and hallways.
- Matline is easy to clean as the water runs directly into the drain underneath the mat. Dirt falls into the gap between the brush panels.

Model No.	Base width	Base Length	Drain Depth	Kit Order Ref
800	500	800	116	6001.0800

MATLINE ACCESSORIES

Description	Dimension	Order Ref
Nylon brushes - pack of 11	780mm	6001.0801
Steel panel	780mm	6003.0800
Strainer	Ø110mm	6005.0000
Height-adjustable supports set of 4		6006.0000

