

SharpDrain® | Linear Tile Line

Shallow linear drain which is perfect for wetrooms that have minimal floor depth. Stainless Steel drain that only requires 72mm depth and has a 50mm water seal. Tile Line allows you to glue a tile onto the drain with no visible metal. Factory fitted membrane for added waterproof protection.



100% WATERPROOF



10 YEAR WARRANTY



EASY INSTALLATION



EASY TO CLEAN



UNDERFLOOR HEATING

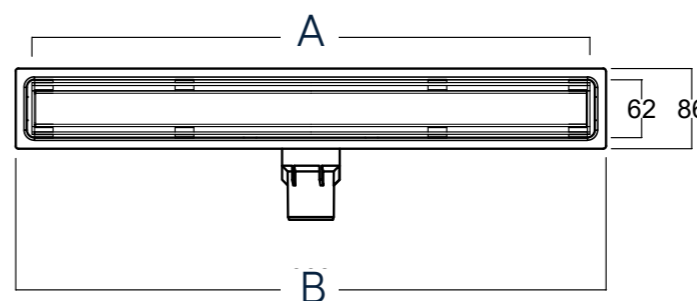


WOODEN FLOOR

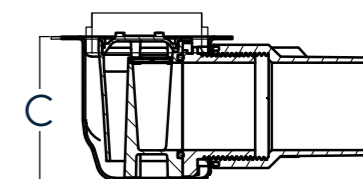


CONCRETE FLOOR

Plan View



Side View



Kit Includes

- 32 Litres Per Minute Linear Drain
- 1½" Connection
- 50mm Water Seal
- Tile Base
- 330mm Factory Fitted Membrane



Model No.	Structural Length (A)	Visual Length (B)	Drain Depth (C)	Drain Width (D)	Kit Order Ref
600	633	600	72	86	SDTL.0600
700	733	700	72	86	SDTL.0700
800	833	800	72	86	SDTL.0800
900	933	900	72	86	SDTL.0900
1000	1033	1000	72	86	SDTL.1000
1200	1233	1200	72	86	SDTL.1200



Installation Kit
Order Ref
WMIKU



Cleaning Hook
Order Ref
WM1840.0000