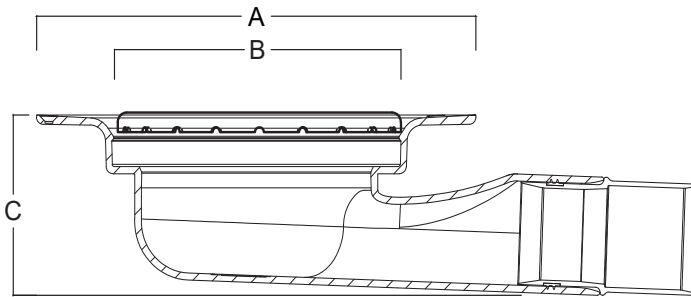


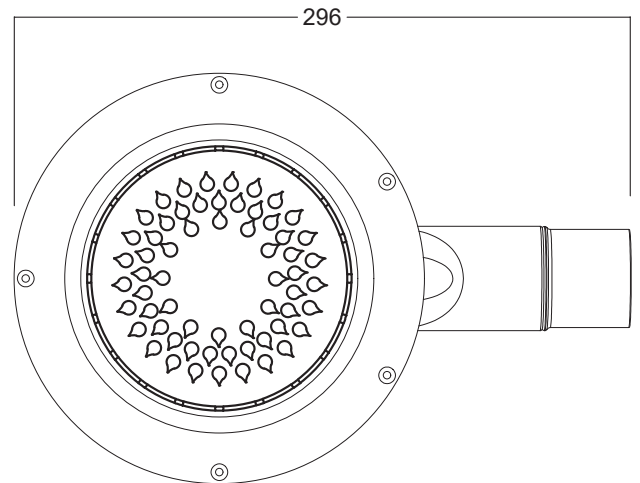
SDSD.0076 SharpDrain Vinyl DATA SHEET



Side View



Plan View



Model No.	Structural Length (A)	Visual Length (B)	Drain Depth (C)	Plastic Grate Kit Order Ref	Steel Grate Kit Order Ref
76	197	130 x 130	76	SDSD.0076PGV	SDSD.0076SGV

Specifications

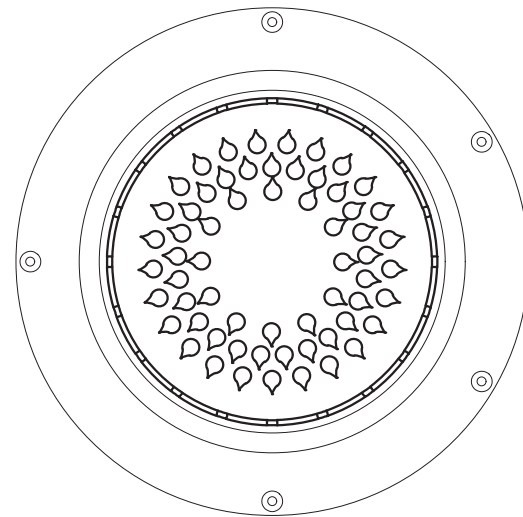
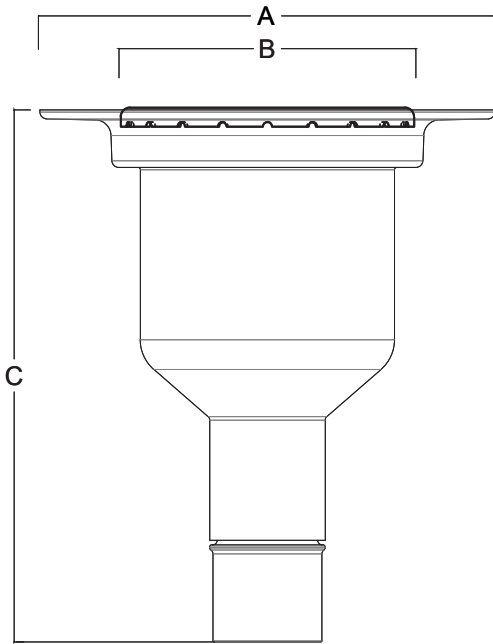
MATERIAL Plastic (PP), Solvent Weld ABS Adapter	CAPACITY 48 l/min	TRAP Removable anti odour trap
USAGE Wetroom and secondary drainage	MEMBRANE Liquid, sheet membrane and vinyl	FLOOR CONSTRUCTION All

SDSD.0189 SharpDrain Vinyl Vertical Outlet DATA SHEET



Side View

Plan View



Model No.	Structural Length (A)	Visual Length (B)	Drain Depth (C)	Plastic Grate Kit Order Ref	Steel Grate Kit Order Ref
189	197	130 x 130	230	SDSD.0189PGV	SDSD.0189SGV

Specifications

MATERIAL Plastic (PP), Solvent Weld ABS Adapter	CAPACITY 48 l/min	TRAP Removable anti odour trap
USAGE Wetroom and secondary drainage	MEMBRANE Vinyl	FLOOR CONSTRUCTION All