

# SharpDrain® | Vinyl Horizontal

Minimum floor depth (76mm) plastic vinyl horizontal drain which can be installed anywhere in a wetroom or be used as secondary drainage. Perfect for areas that have little floor depth available. The clamping ring securely holds the vinyl in place. Available with a white plastic or Brushed Stainless Steel Grate.



100%  
WATERPROOF



10 YEAR  
WARRANTY



EASY  
INSTALLATION



EASY  
TO CLEAN



UNDERFLOOR  
HEATING

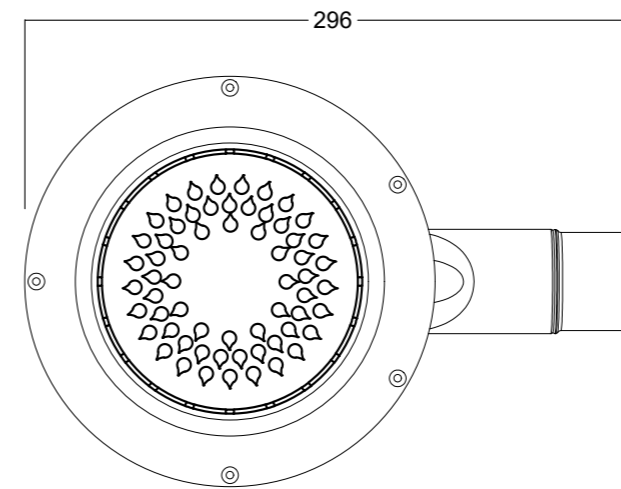


WOODEN  
FLOOR

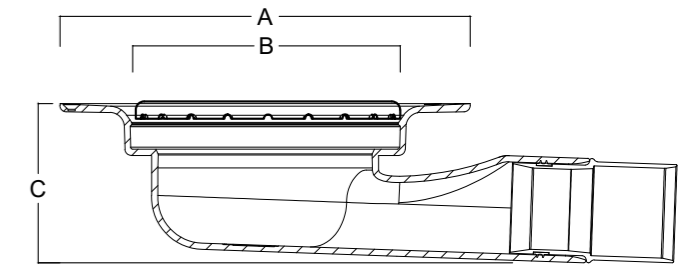


CONCRETE  
FLOOR

Plan View



Side View



## Kit Includes

48 Litres Per Minute  
Vinyl Drain with Clamping Ring  
1½" Connection  
Anti Odour Barrier  
Plastic or Steel Grate



Model No.	Structural Length (A)	Visual Length (B)	Drain Depth (C)	Plastic Grate Kit Order Ref	Steel Grate Kit Order Ref
76	197	130 x 130	76	SDSD.0076PGV	SDSD.0076SGV



Installation Kit  
Order Ref  
WMIKU



Cleaning Hook  
Order Ref  
WM1840.0000

# SharpDrain® | Vinyl Vertical

A vertical drain with an overall depth 230mm, which can be installed anywhere in a wetroom or be used as secondary drainage. The clamping ring securely holds the vinyl in place. Available with a white plastic or Brushed Stainless Steel Grate.



100% WATERPROOF



10 YEAR WARRANTY



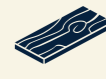
EASY INSTALLATION



EASY TO CLEAN



UNDERFLOOR HEATING

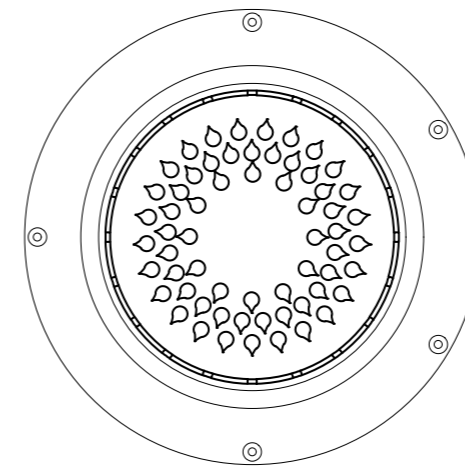


WOODEN FLOOR

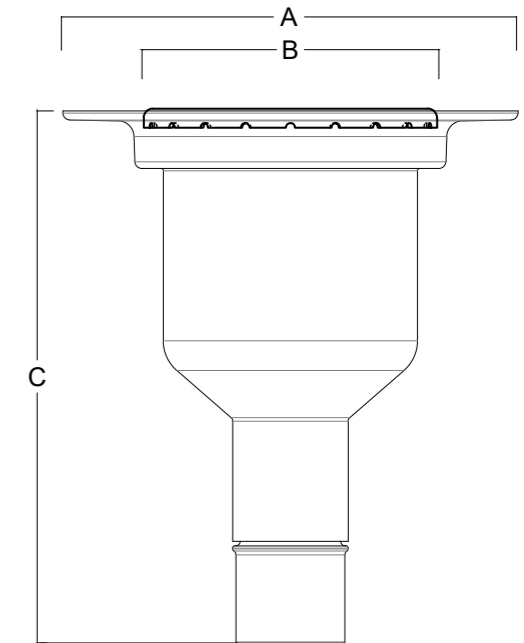


CONCRETE FLOOR

Plan View



Side View



## Kit Includes

48 Litres Per Minute  
Vinyl Drain with Clamping Ring  
1½" Connection  
Anti Odour Barrier  
Plastic or Steel Grate



Model No.	Structural Length (A)	Visual Length (B)	Drain Depth (C)	Plastic Grate Kit Order Ref	Steel Grate Kit Order Ref
189	197	130 x 130	230	SDSD.0189PGV	SDSD.0189SGV



Installation Kit  
Order Ref  
WMIKU



Cleaning Hook  
Order Ref  
WM1840.0000