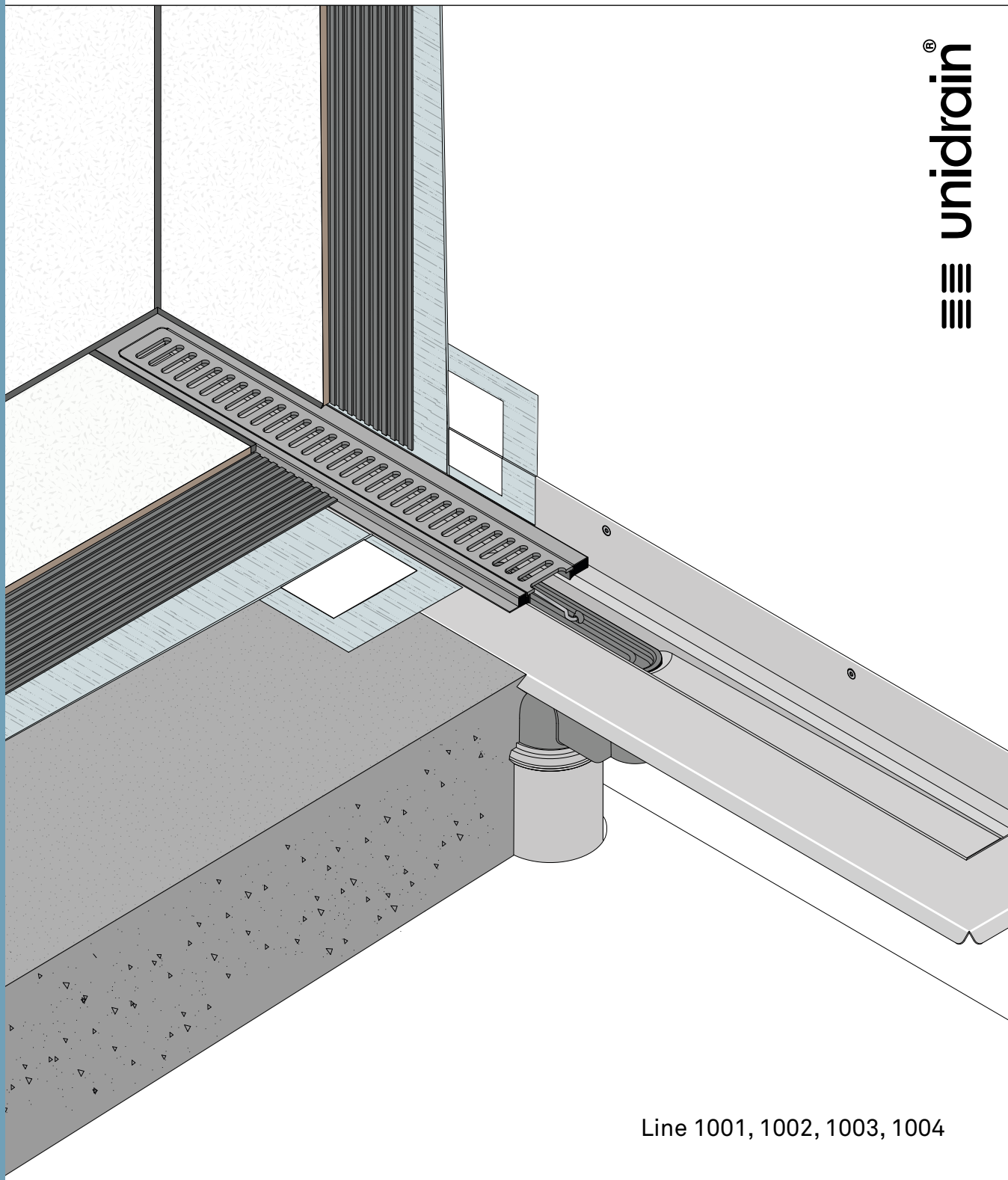
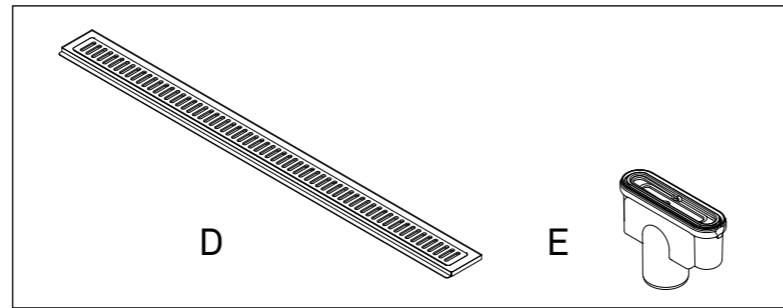
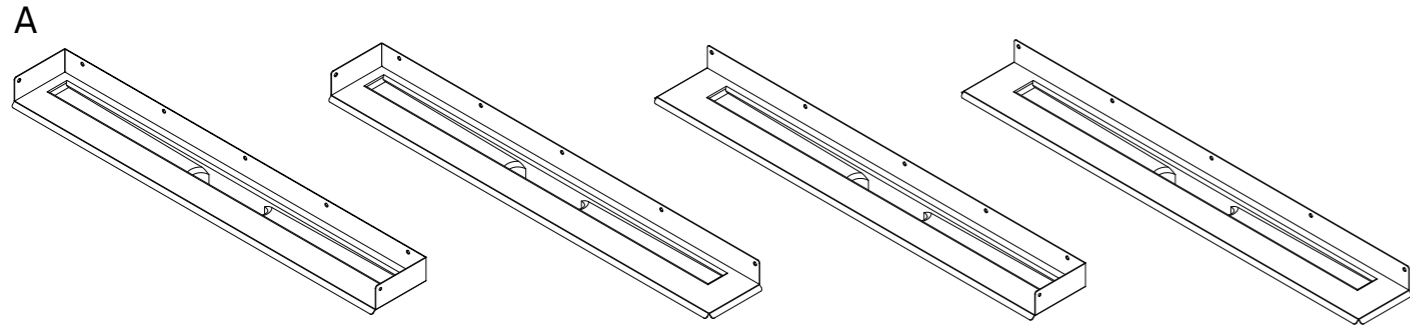


# INSTALLATION GUIDE LINEAR DRAIN - CONCRETE FLOOR CONSTRUCTION



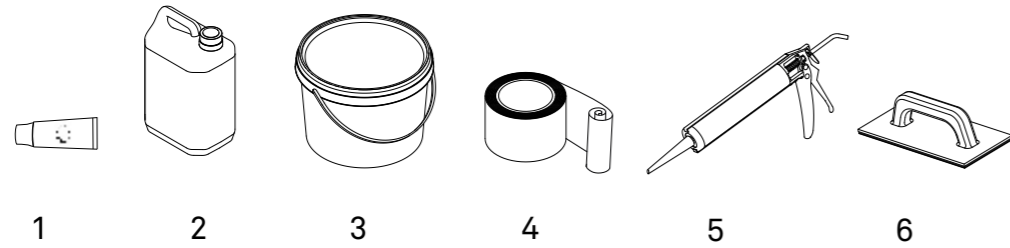
 unidrain<sup>®</sup>

Line 1001, 1002, 1003, 1004



**Included in the package**  
 A Linear drain - Drain unit  
 B Screws, wall plugs  
 C Cleaning wipe

**Purchased separately:**  
 D Frame and grate/panel  
 E Outlet unit



**Overview of materials used in this guide (not included)**

- 1 Silicone spray
- 2 Concrete primer
- 3 Waterproof tanking membrane
- 4 Reinforcement Tanking tape
- 5 Sanitary sealant
- 6 Grout float

## UK IMPORTANT REQUIREMENTS

Unidrain's linear drain have been tested and approved for installation in wet rooms – for local and national regulations as well as specific approvals, please see [www.unidrain.com](http://www.unidrain.com)

The linear drain in this guide is designed to be mounted against a wall with or without side walls. It must be assembled and installed correctly. Only Unidrain products should be used in the drain installation itself. Before starting, check whether the selected outlet unit suits the project (in terms of pipe dimension and flow capacity) and meets any relevant national requirements. The building methods and materials you use must be suitable and approved for the purpose. The responsibility for ensuring that the drainage solution is watertight lies with the craftsmen who install it. The actual drain unit and pipework must be installed by a qualified plumber.

This guide also provides information on other products and materials, such as concrete, primer, wet room membrane, glue, sealant and tiles. For detailed instructions in these areas, please see the suppliers' instructions.

EN 1253



### \*IMPORTANT INSTALLATION STEPS

**⚠ 1** (illustration 1+2a+2b)

Before installing, ensure that the walls are clean and straight

**⚠ 2** (illustration 3)

Apply lubricant on rubber gasket before assembling

**⚠ 3** (illustration 5 + 6a + 6b)

Check that the rubber gasket is placed correctly and not twisted

**⚠ 4** (illustration 10)

Check pipes are connected correctly and watertight

**⚠ 5** (illustration 14 + 15a + 15b)

When pouring concrete, ensure there are no voids.

**⚠ 6** (illustration 20)

Clean metal surfaces thoroughly before applying the membrane

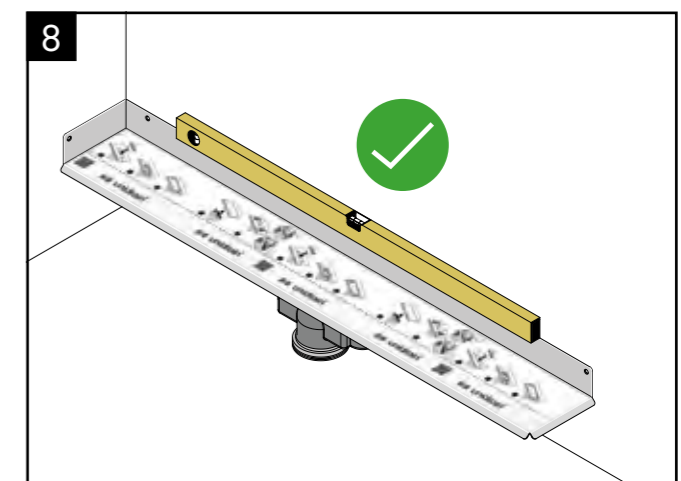
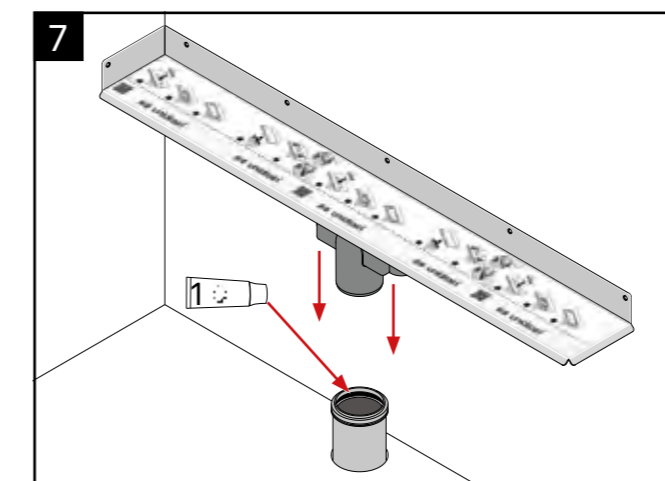
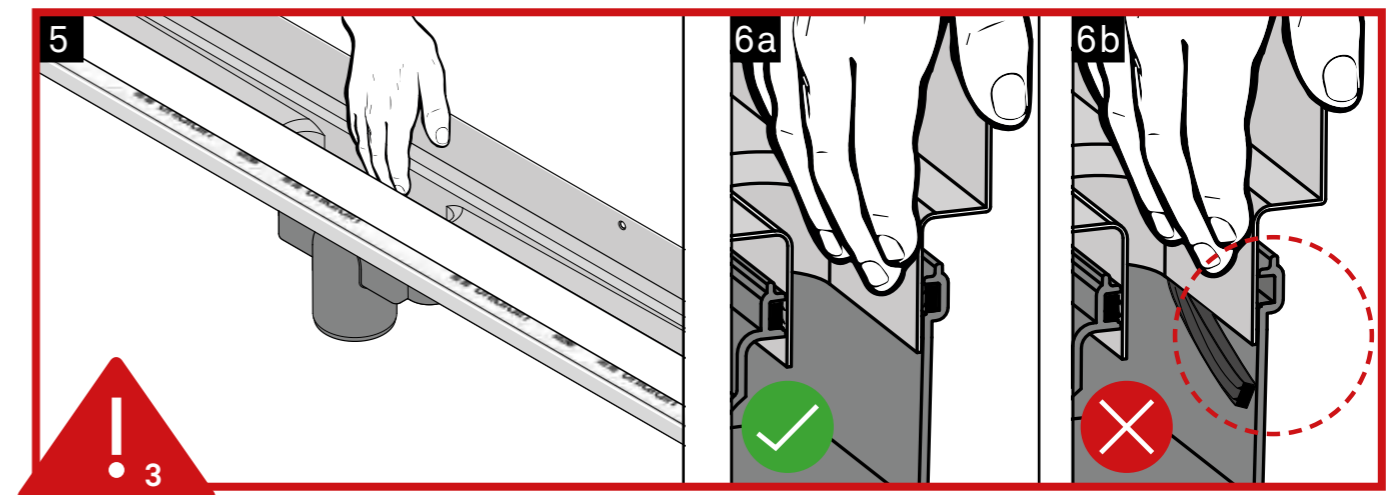
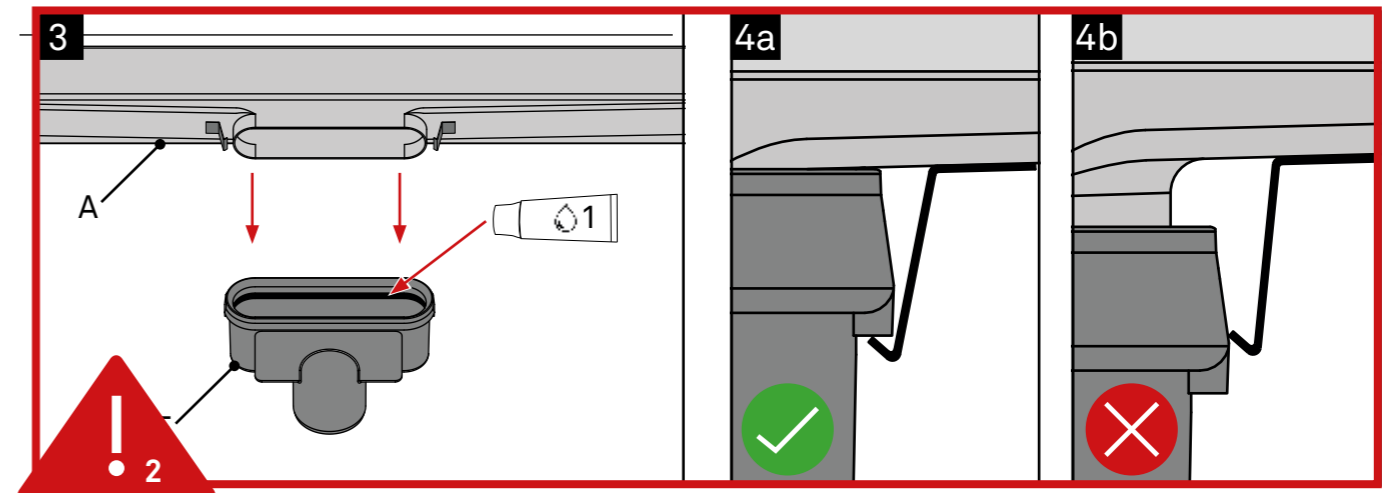
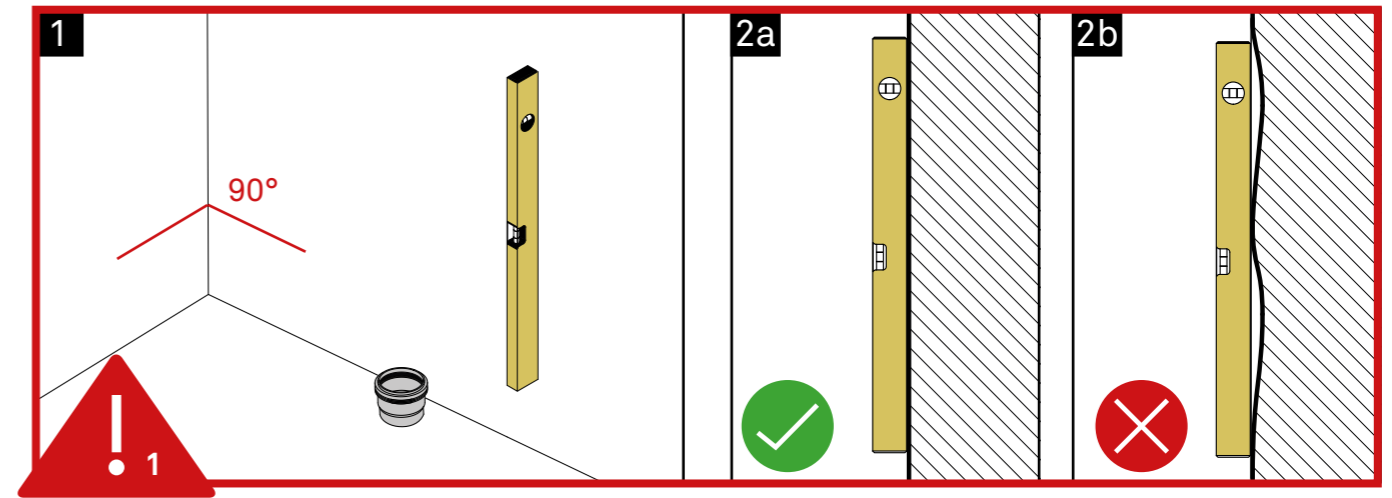
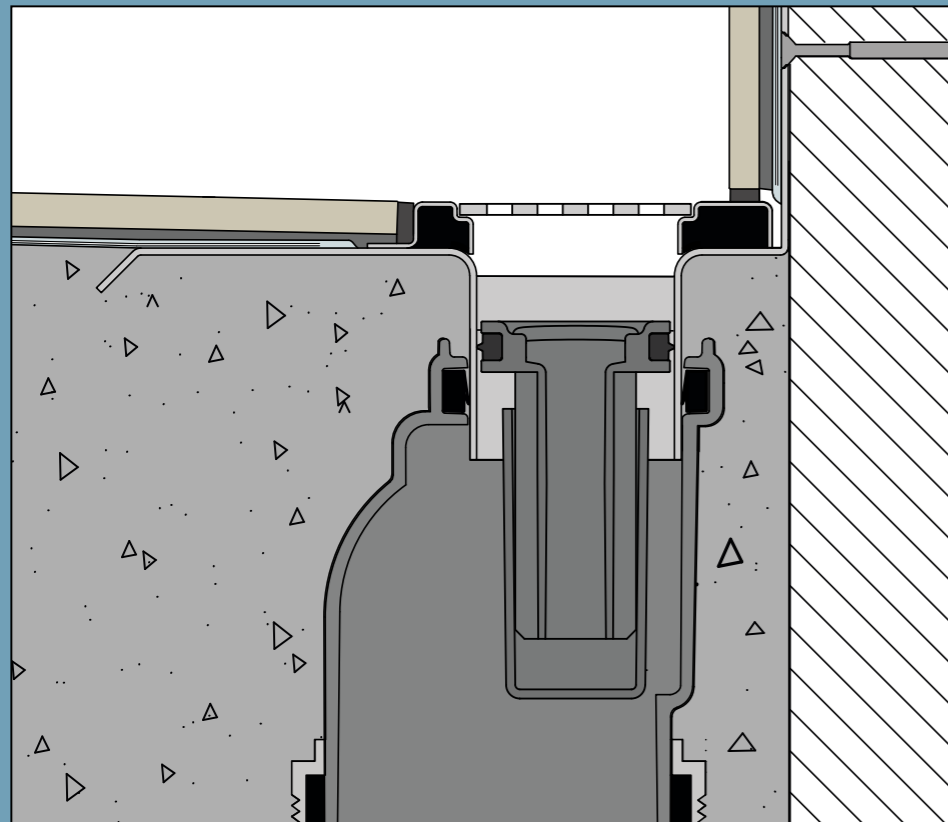
**⚠ 7** (illustration 22)

Minimum 40mm membrane applied on the drain

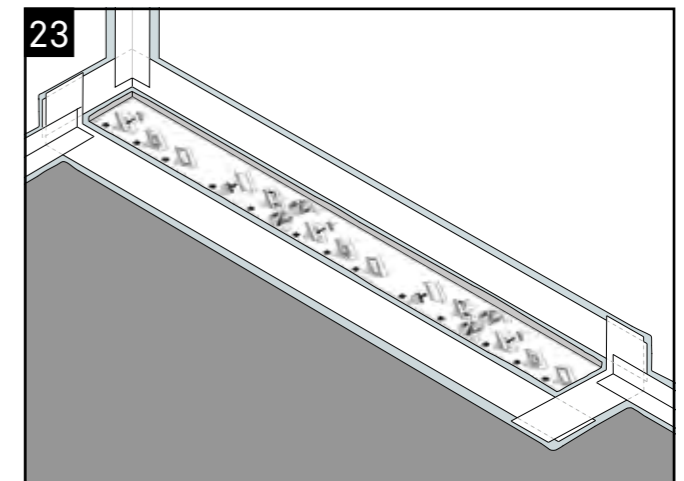
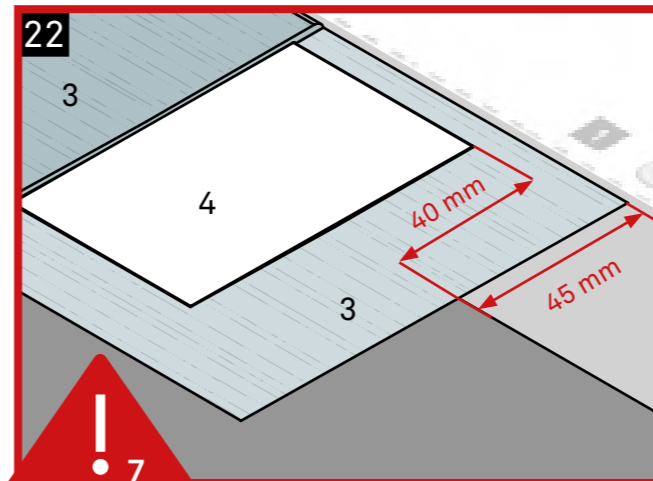
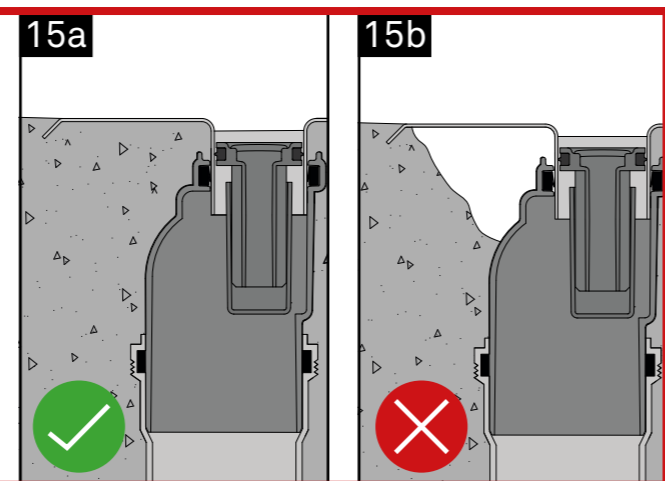
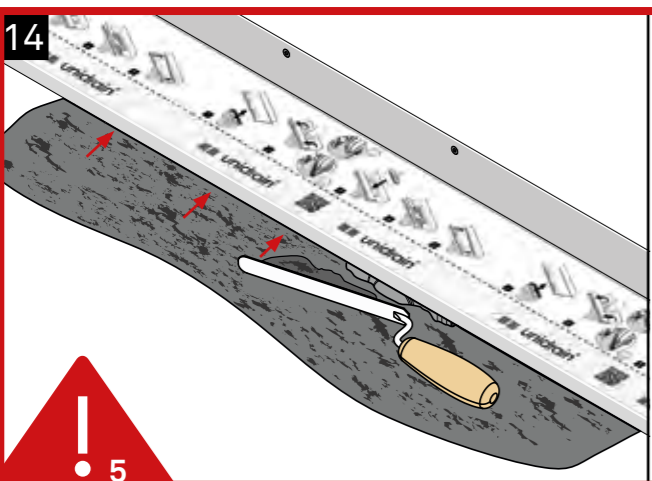
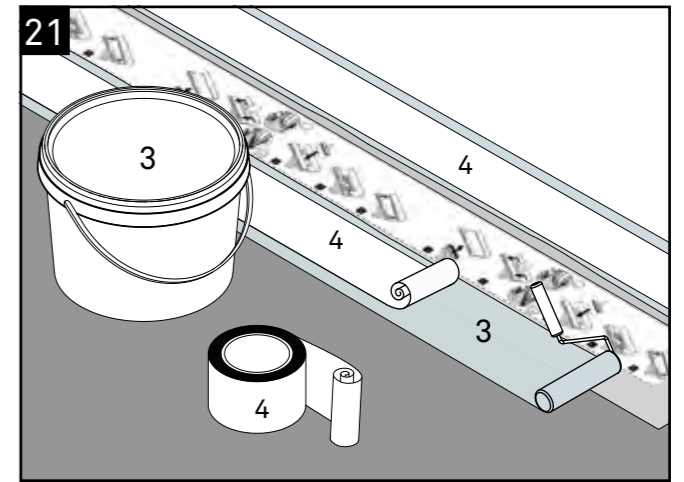
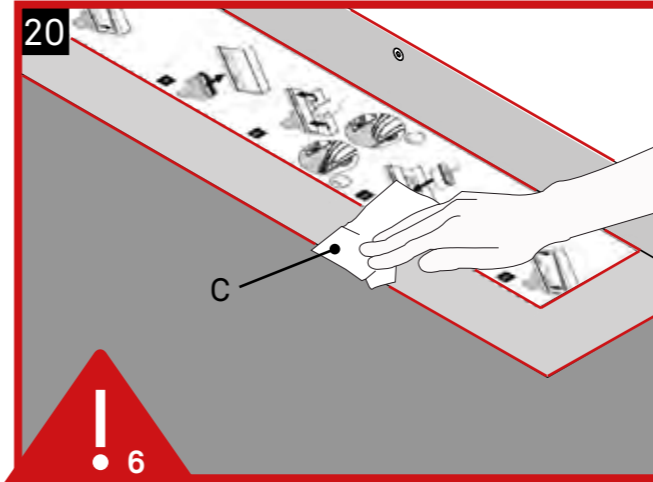
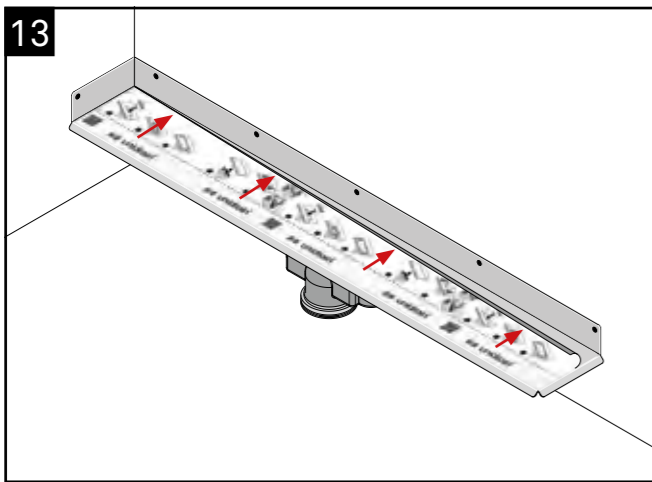
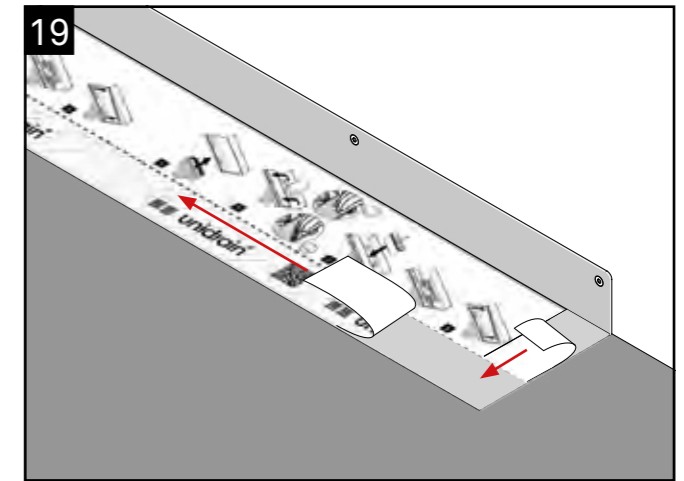
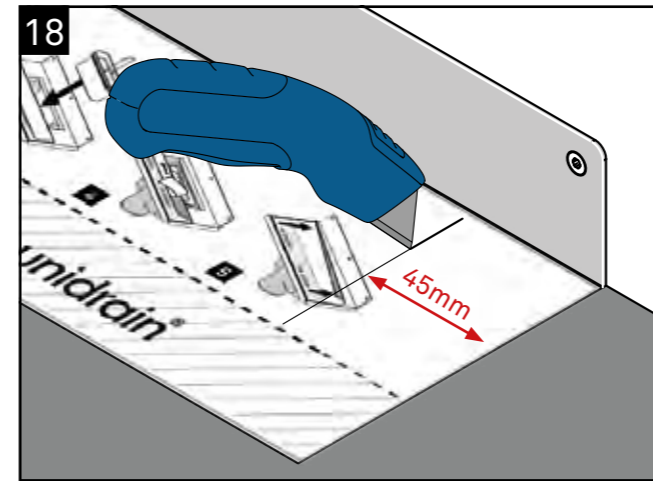
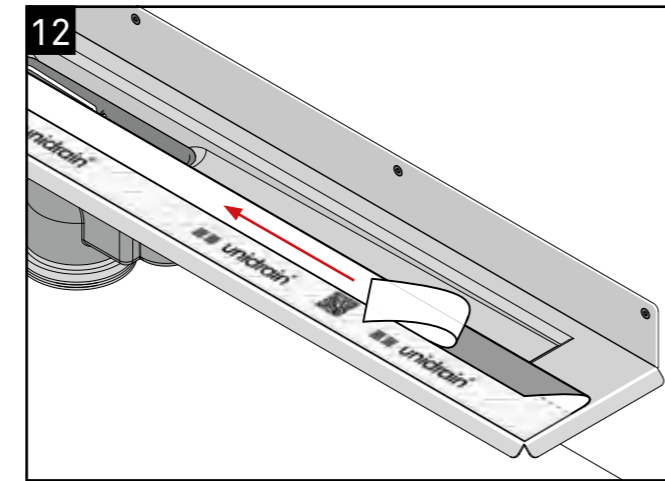
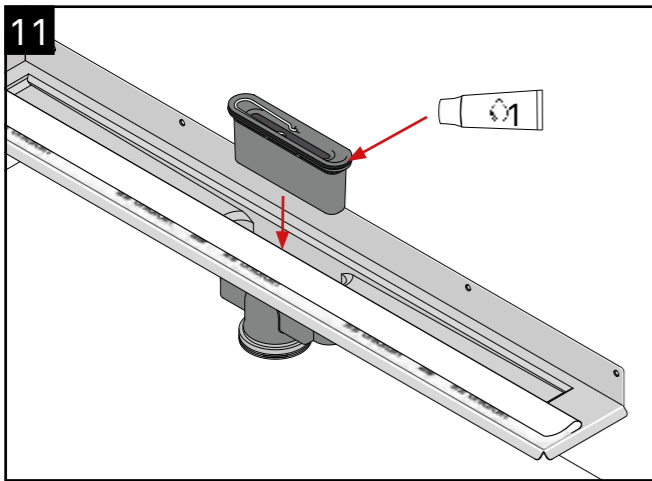
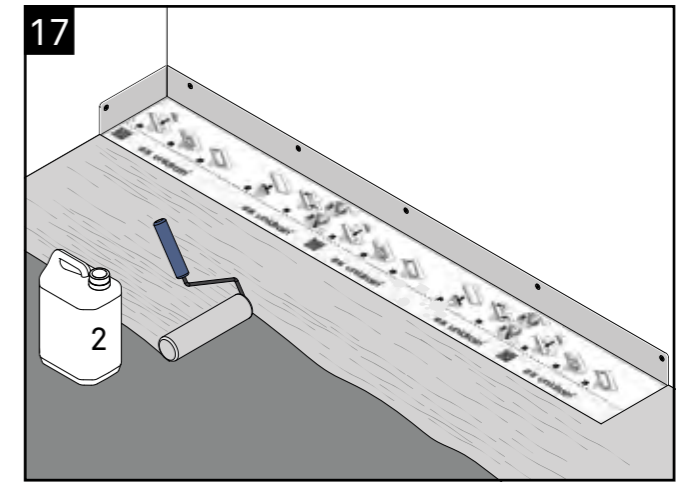
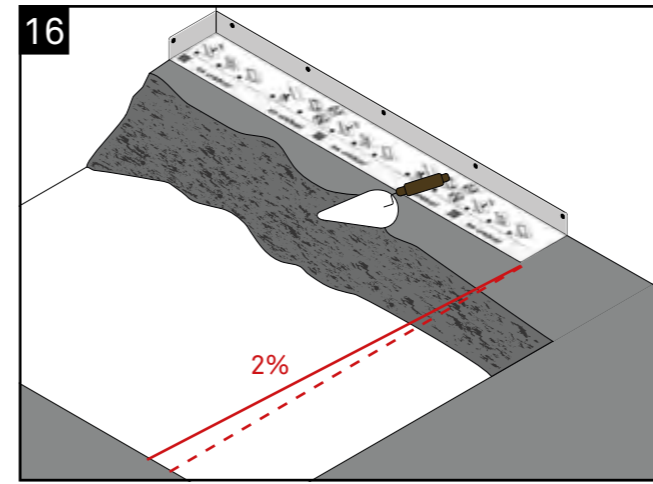
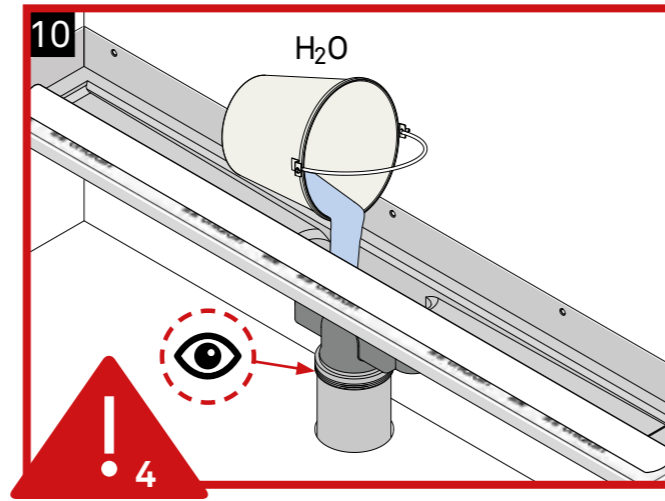
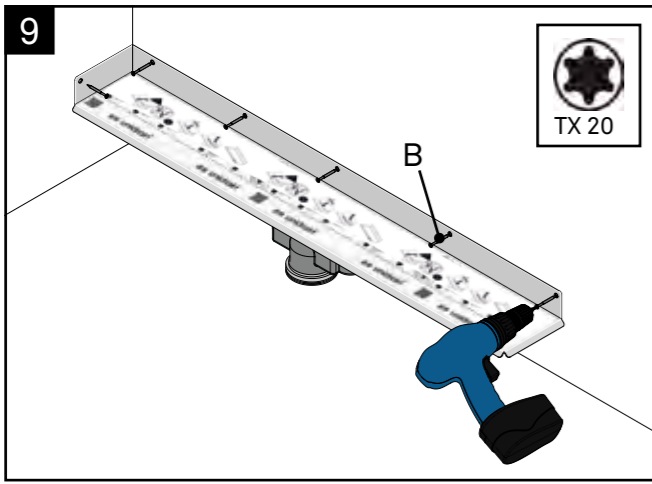
**⚠ 8** (illustration 28a + 28b + 28c + 28d)

Position frame onto drain correctly – Check water trap can be removed

# Concrete floor construction

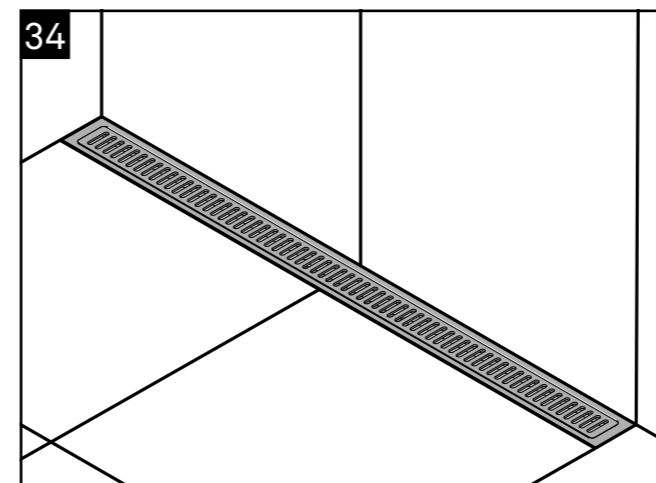
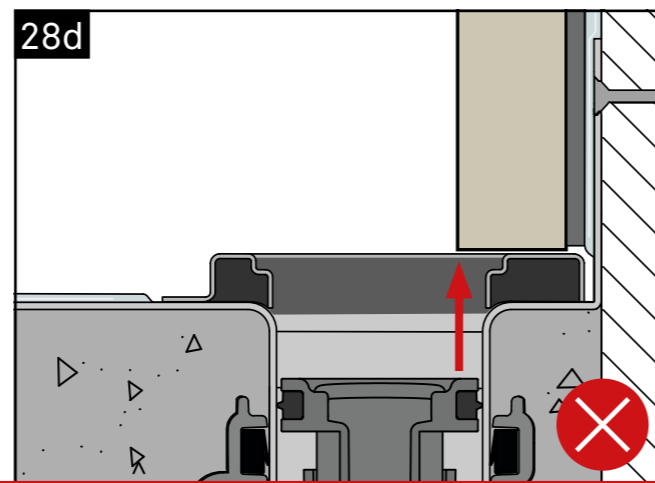
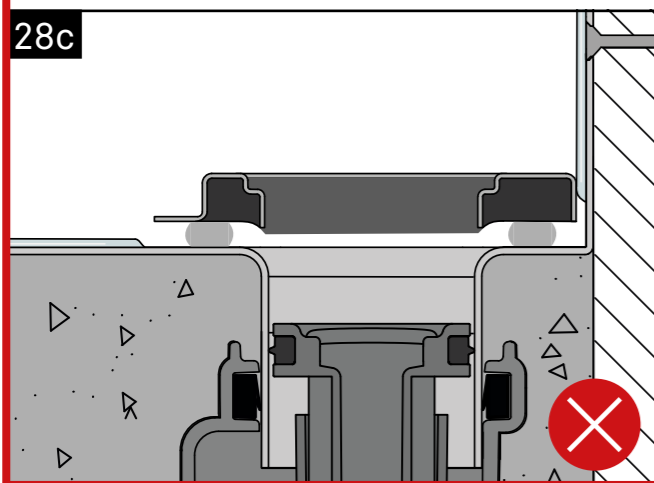
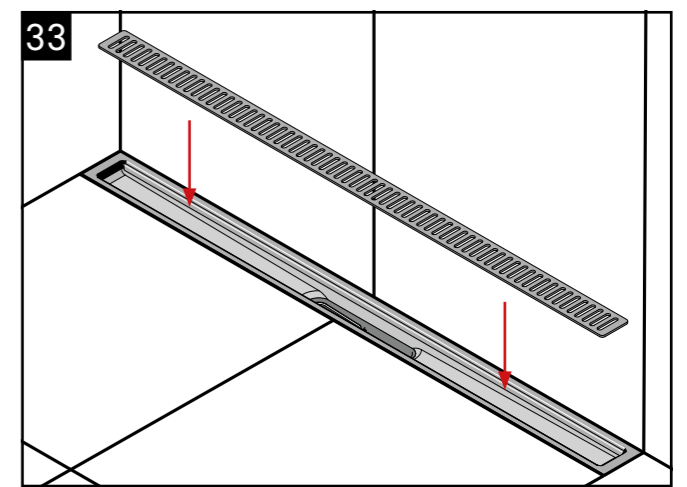
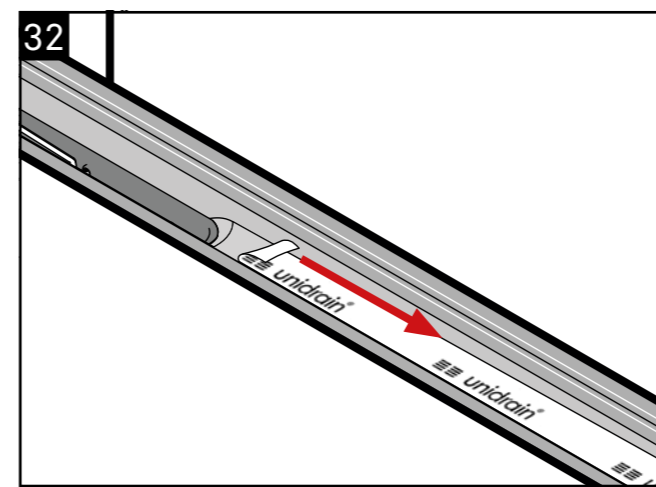
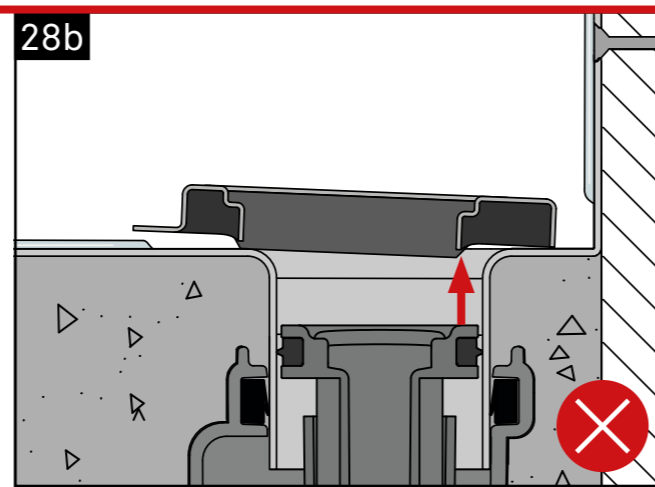
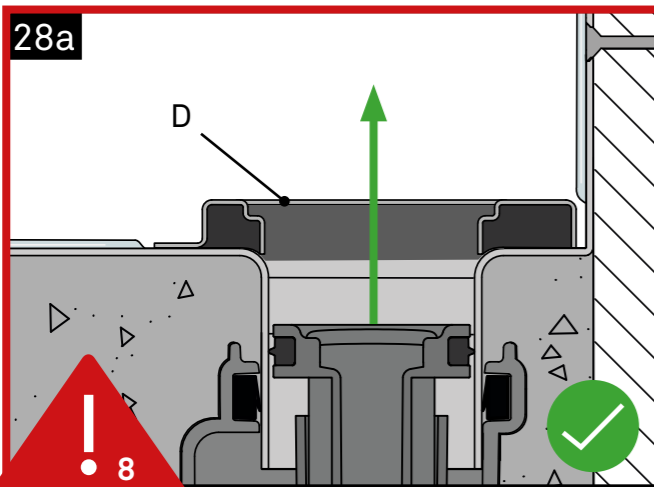
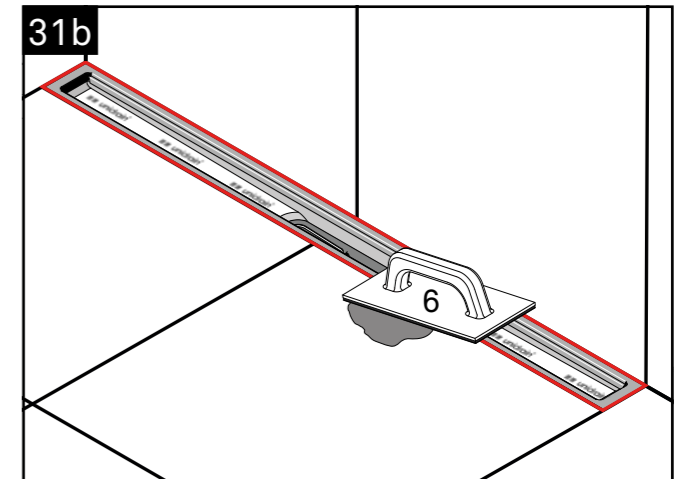
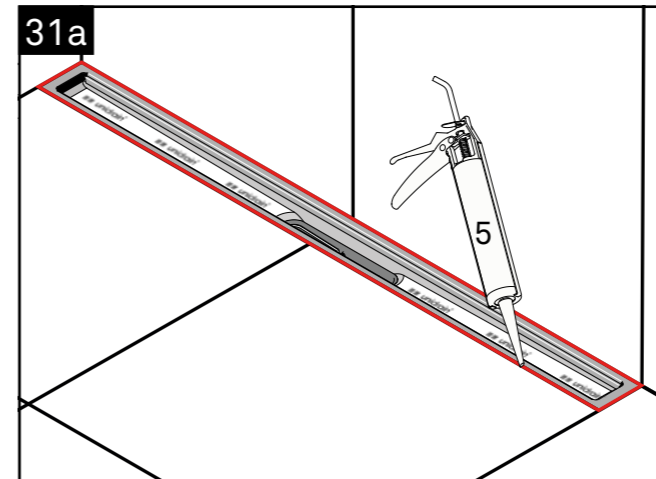
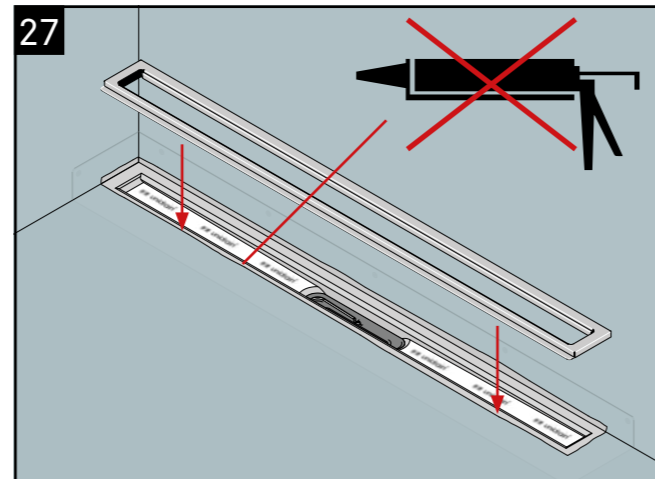
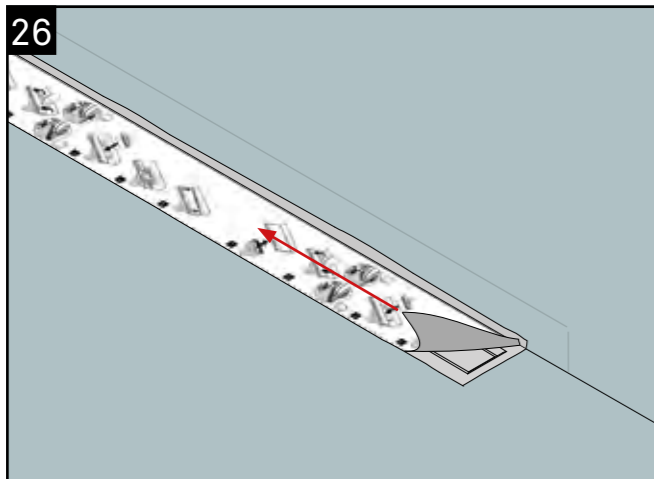
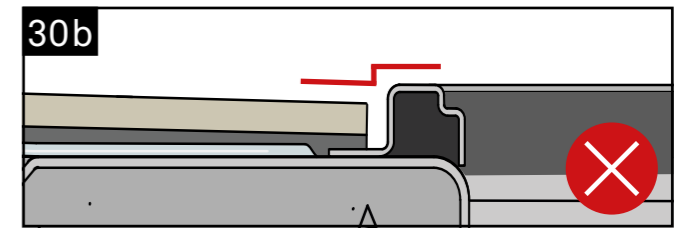
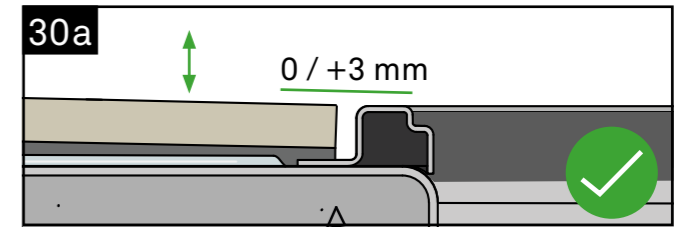
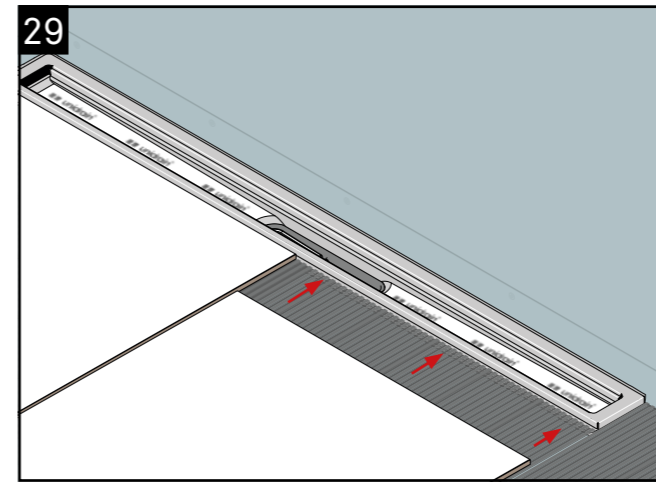
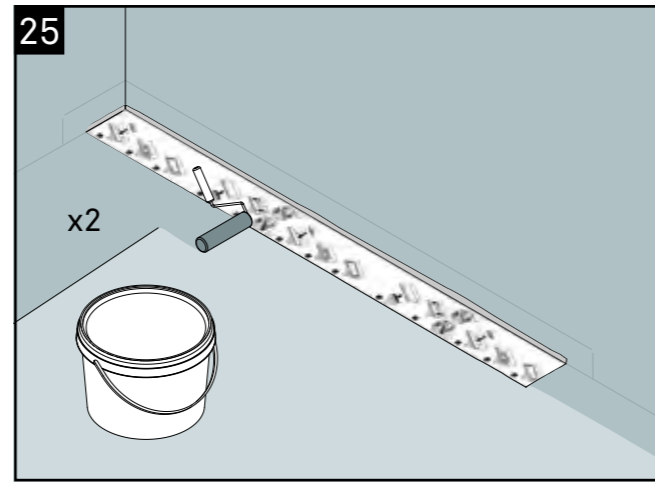
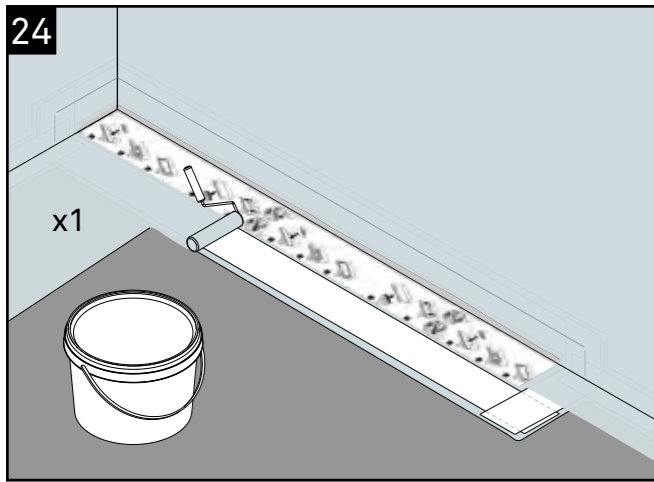


⚠ Please read page 4-7



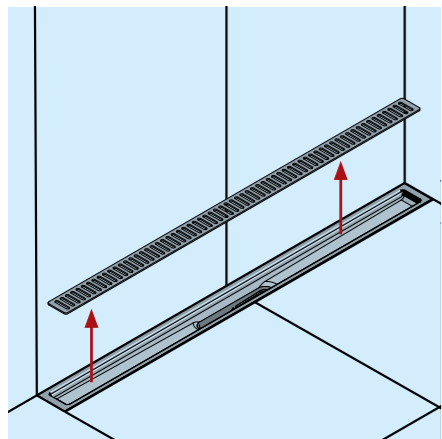
! Please read page 4-7

! Please read page 4-7

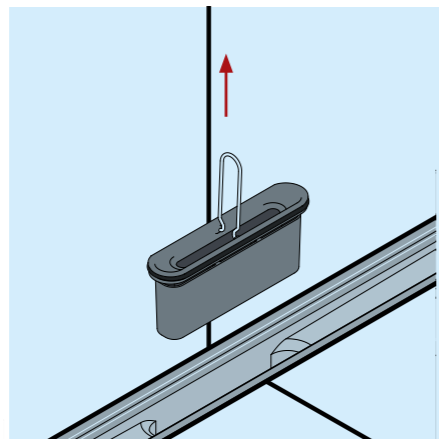


⚠ Please read page 4-7

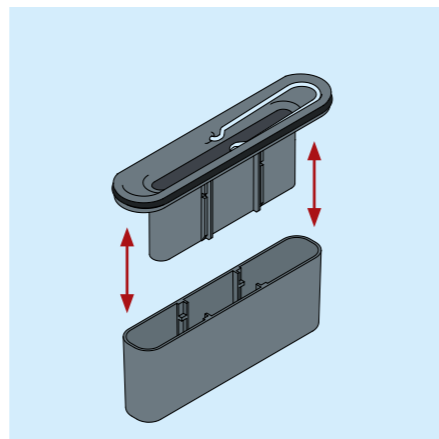
# Cleaning and maintenance



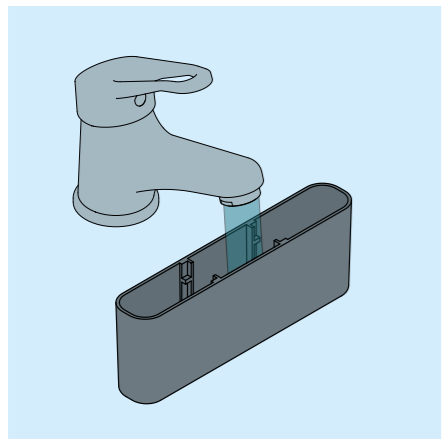
1



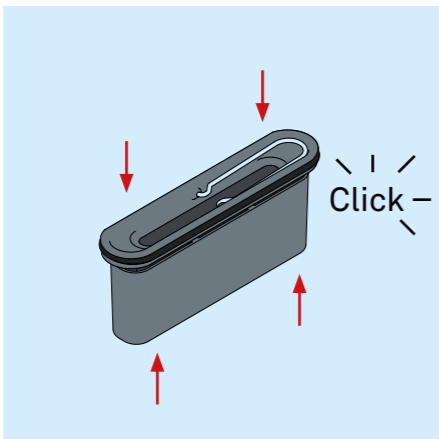
2



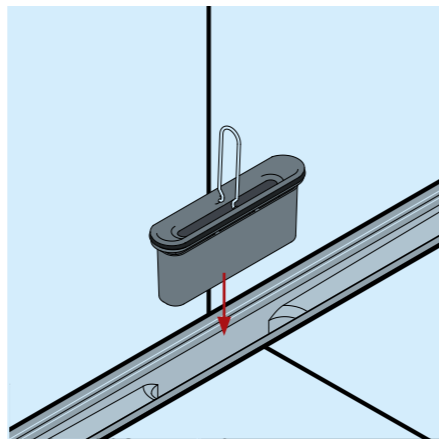
3



4



5



6



Wetroom Materials UK  
Derwentside  
25 Town Street  
Duffield  
Belper  
Derbyshire  
DE56 4EH  
England  
+ 44 (0) 1332 840 820

Wetroom Materials Ireland  
Unit E1  
Ballymount Ind Est  
Walkinstown  
Dublin  
Co. Dublin  
D12 WR60  
Ireland  
+353 (0)1 2973488

[sales@wetroommaterials.com](mailto:sales@wetroommaterials.com)  
[www.wetroommaterials.com](http://www.wetroommaterials.com)