

# UNIDRAIN® SQUARE

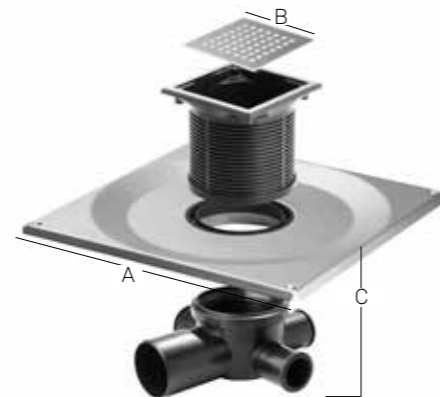
THE UNIDRAIN SQUARE FLOOR DRAIN GIVES THE OPPORTUNITY TO HAVE THE SAME STREAMLINED UNIDRAIN LOOK AND FEEL IN ALL ROOMS, WHERE A FLOOR DRAIN IS NEEDED AND WHERE A LINEAR DRAIN IS NOT AN OPTION.

## BENEFITS

- Tile insert / frame and grate in a brushed stainless steel finish.
- Customised tile solution possible (100 x 100 mm and 150 x 150 mm).
- 100 x 100 mm and 150 x 150 mm gratings fit the same drain unit.
- 46ltrs - 84ltrs per minute depending on outlet.
- Low installation height (from 107 mm).

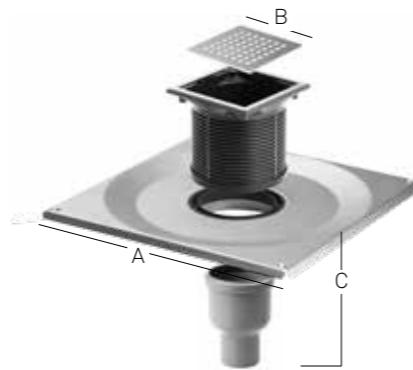
## DESIGN OPTIONS

Model No.	A Structural Length	B Visual Length	C Drain Depth	Centre Drain Kit Order Ref	Dimensions
WM810	314	100	107	WM82100	
WM815	314	150	107	WM82150	



## DESIGN OPTIONS

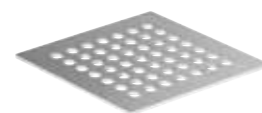
Model No.	A Structural Length	B Visual Length	C Drain Depth	Centre Drain Kit Order Ref	Dimensions
WM810V	314	100	184	WM82100V	
WM815V	314	150	184	WM82150V	



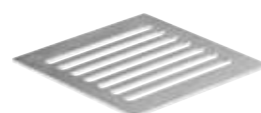
CHOOSE YOUR GRATE STYLE (100MM x 100MM & 150MM x 150MM)



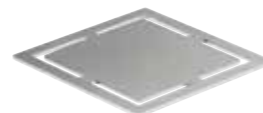
Custom Base



Classic



Column



Anniversario

