

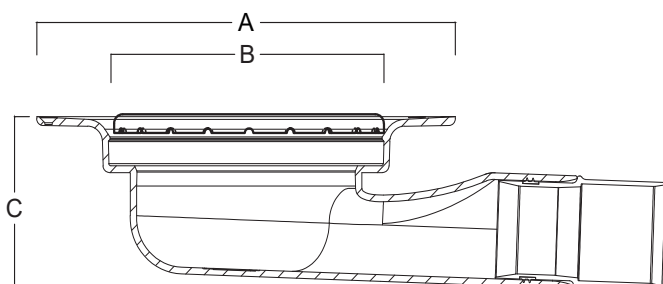
SDSD.0076 SharpDrain Vinyl DATA SHEET

Minimum floor depth (76mm) plastic vinyl horizontal drain which can be installed anywhere in a wetroom or be used as secondary drainage. Perfect for areas that have little floor depth available. The clamping ring securely holds the vinyl in place. Available with a white plastic or Brushed Stainless Steel Grate.

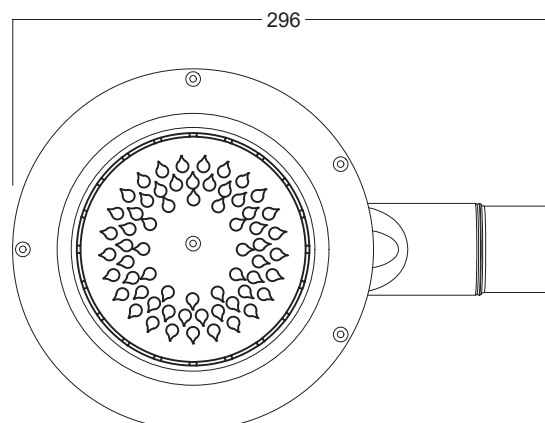


Model No.	Structural Length (A)	Visual Length (B)	Drain Depth (C)	Plastic Grate Kit Order Ref	Steel Grate Kit Order Ref
76	197	130 x 130	76	SDSD.0076PG	SDSD.0076SG

Side View



Plan View



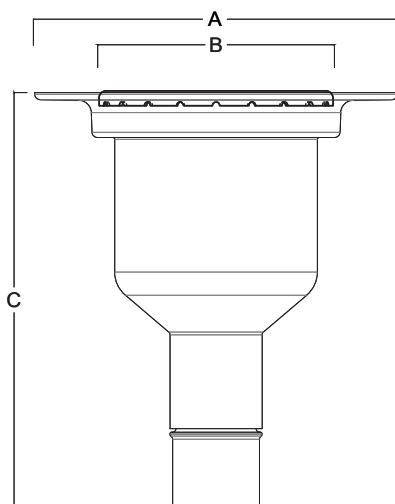
Specification

MATERIAL Plastic (PP), Solvent Weld ABS Adapter	CAPACITY 48 l/min	TRAP Removable anti odour trap
USAGE Wetroom and secondary drainage	MEMBRANE Vinyl Floor	FLOOR CONSTRUCTION All

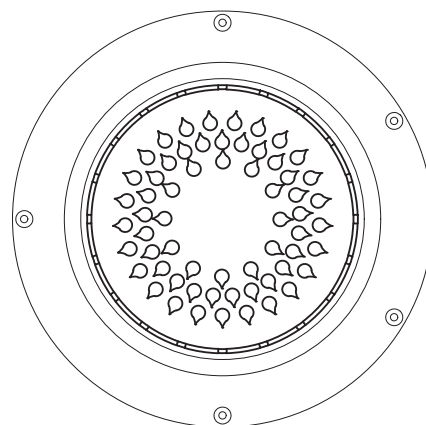
SDSD.0189 SharpDrain Vinyl Vertical Outlet DATA SHEET

A vertical drain with an overall depth 230mm, which can be installed anywhere in a wetroom or be used as secondary drainage. The clamping ring securely holds the vinyl in place. Available with a white plastic or Brushed Stainless Steel Grate.

Side View



Plan View



Model No.	Structural Length (A)	Visual Length (B)	Drain Depth (C)	Plastic Grate Kit Order Ref	Steel Grate Kit Order Ref
189	197	130 x 130	230	SDSD.0189PGV	SDSD.0189SGV

Specification

MATERIAL Plastic (PP), Solvent Weld ABS Adapter	CAPACITY 48 l/min	TRAP Removable anti odour trap
USAGE Wetroom and secondary drainage	MEMBRANE Vinyl	FLOOR CONSTRUCTION All