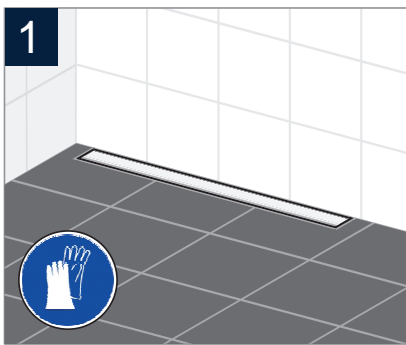
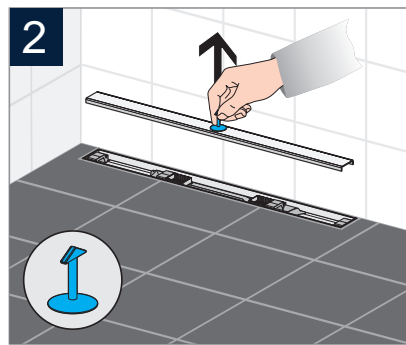


Cleaning & Maintenance

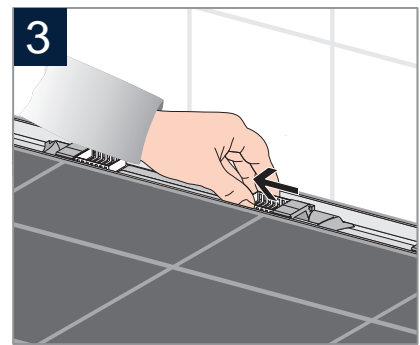
SharpDrain is made from injection-moulded plastic (polypropylene) or stainless steel (AISI 304 & 316). Strong acids or chemicals such as iodine, chlorine, fluorine, or bromine can also cause corrosion to stainless steel by hindering the oxygen reaction process, thus preventing formation of the protective layer.



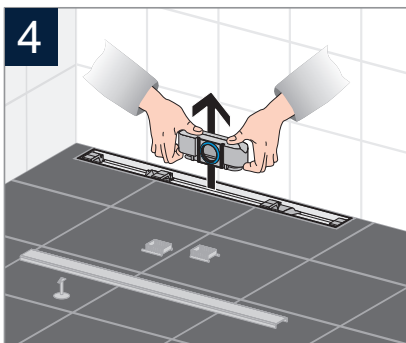
Please wear gloves.



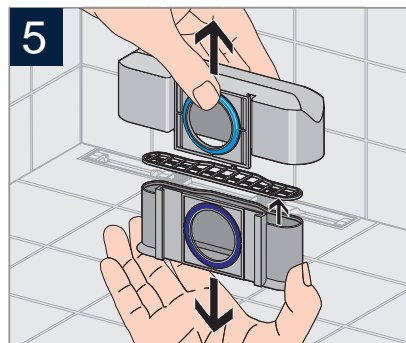
Remove the drain cover



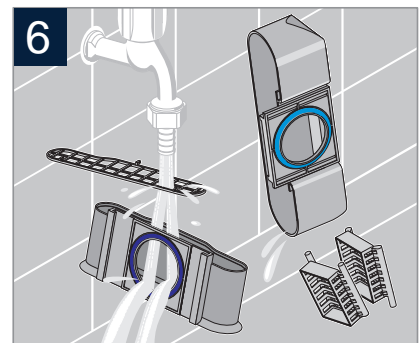
Remove the water buffer



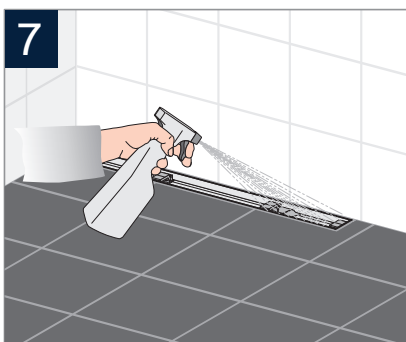
Pull the trap out with both hands.



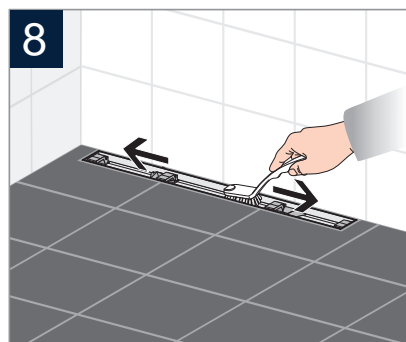
Disassembly the trap and remove strainer



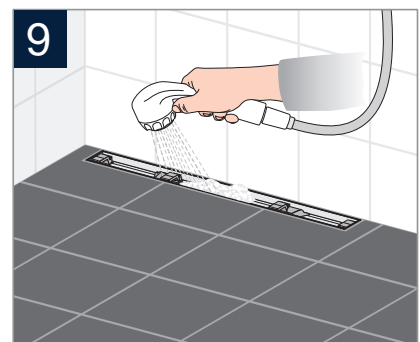
Thoroughly clean all removable parts with running water.



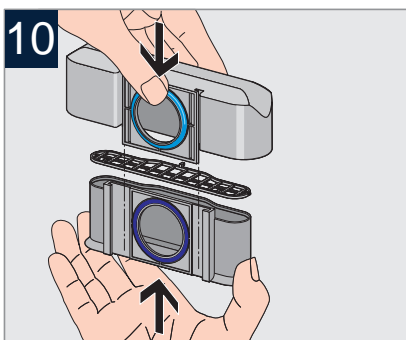
Clean drain gently with suitable cleaning agent.



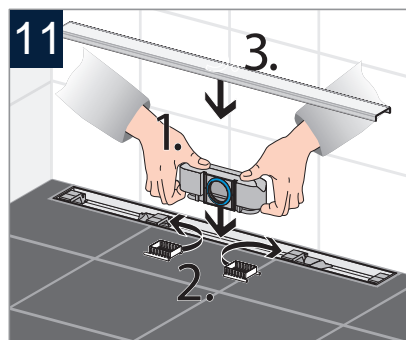
Clean the drain with a brush or sponge.



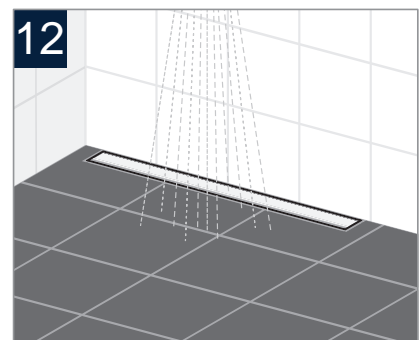
Rinse the drain.



Reassemble trap. If necessary, grease the blue rings again prior to the assembly.



Place trap back into the drain.



Turn the shower on or pour water down the drain to fill the trap.