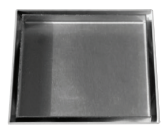


WM Centre Drain DATA SHEET

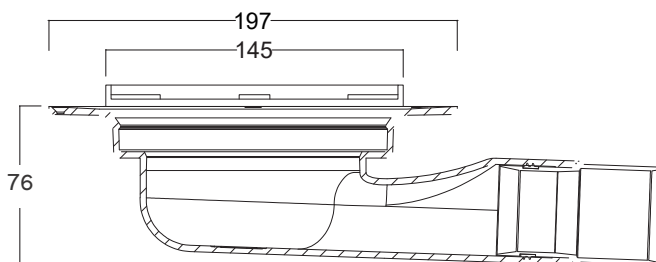
Minimum floor depth (76mm) square drain which can be installed anywhere in a wetroom or be used as secondary drainage. Perfect for areas that have little floor depth available. Available with a range of Brushed Stainless Steel Grates or Tile Insert



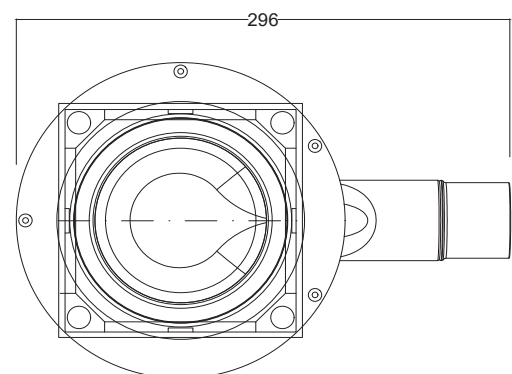
Model No.	Structural Length	Visual Length	Drain Depth	Art Deco Grate Kit Order Ref	Classic Grate Kit Order Ref	Drop Grate Kit Order Ref	Tile Insert Kit Order Ref
SDSD.0076	197	145 X 145	76	SDSD.0076AD	SDSD.0076CL	SDSD.0076DR	SDSD.0076TI

WM | Wetroom Materials

Side View



Plan View



Specification

MATERIAL Plastic (PP), Solvent Weld ABS Adapter	CAPACITY 48 l/min	TRAP Removable anti odour trap
USAGE Wetroom and secondary drainage	MEMBRANE Liquid or sheet membrane	FLOOR CONSTRUCTION All