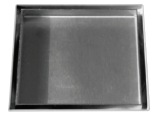


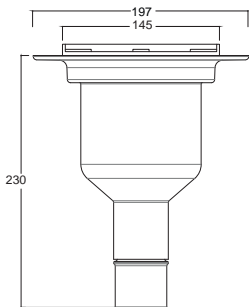
WM Centre Drain Vertical DATA SHEET

Square drain for vertical connection which can be installed anywhere in a wetroom or be used as secondary drainage. Available with a range of Brushed Stainless Steel Grates or Tile Insert.

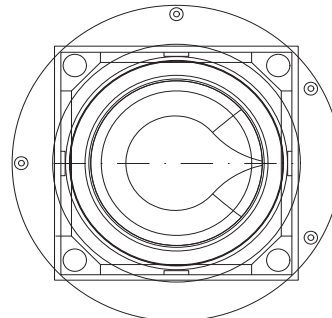


Model No.	Structural Length	Visual Length	Drain Depth	Art Deco Grate Kit Order Ref	Classic Grate Kit Order Ref	Drop Grate Kit Order Ref	Tile Insert Kit Order Ref
SDDS.0189	197	145 X 145	230	SDDS.0189AD	SDDS.0189CL	SDDS.0189DR	SDDS.0189TI

Side View



Plan View



Specification

MATERIAL Plastic (PP), Solvent Weld ABS Adapter	CAPACITY 48 l/min	TRAP Removable anti odour trap
USAGE Wetroom and secondary drainage	MEMBRANE Liquid or sheet membrane	FLOOR CONSTRUCTION All