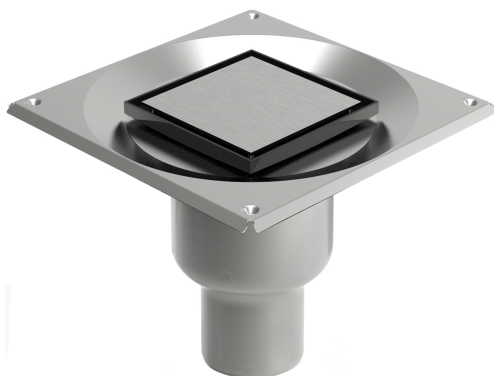


WM82100K2M01

HIGHLINE CUSTOM DATA SHEET



KIT CONTAINS

SQUARE MAIN DRAIN BODY
VERTICAL OUTLET
HIGHLINE CUSTOM BASE

WM | Wetroom Materials

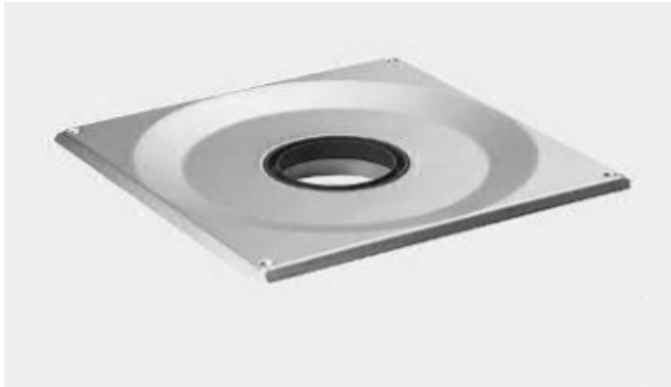
www.wetroommaterials.com sales@wetroommaterials.com

UK: Derwentside, 25 Town Street, Duffield, Belper, Derbyshire, DE56 4EH T: +44 (0) 1332 840 820
IRL: Unit E1 Ballymount Industrial Estate, Walkinstown, Dublin 12, D12 WR60 T: +353 (0) 1 297 3488

8013.0000

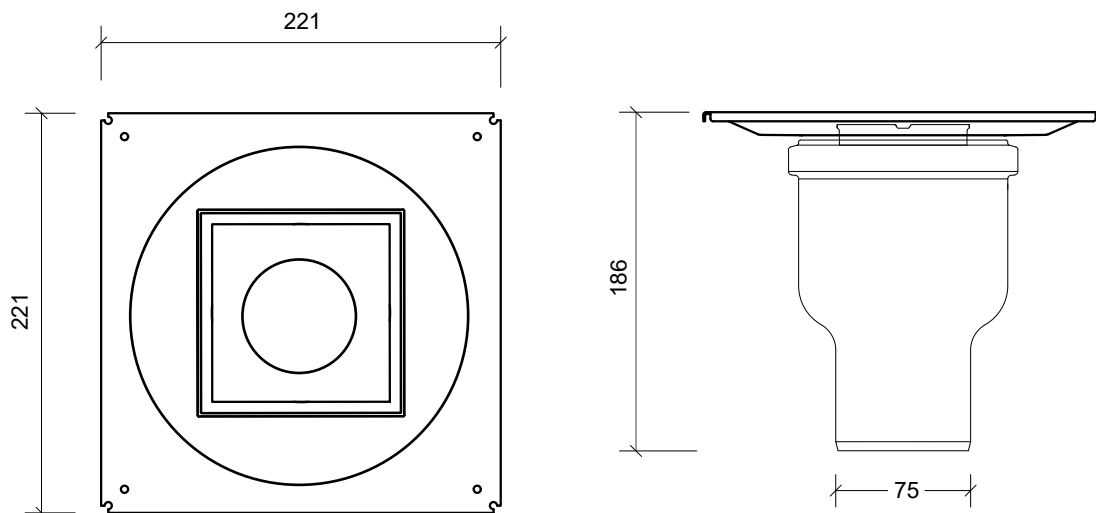
Complement with ClassicLine grating and frame or Custom base

Can be used together with ClassicLine frame and grating or Custom tile solution



Specifications

ITEM NUMBER	MATERIAL	USAGE
8013.0000	Stainless steel (AISI 304)	Square drains
SUITABLE MEMBRANE	FLOOR CONSTRUCTION	FLOORING
Liquid or Sheet	All	Tiles



8013.0000 with 2412.0075 outlet

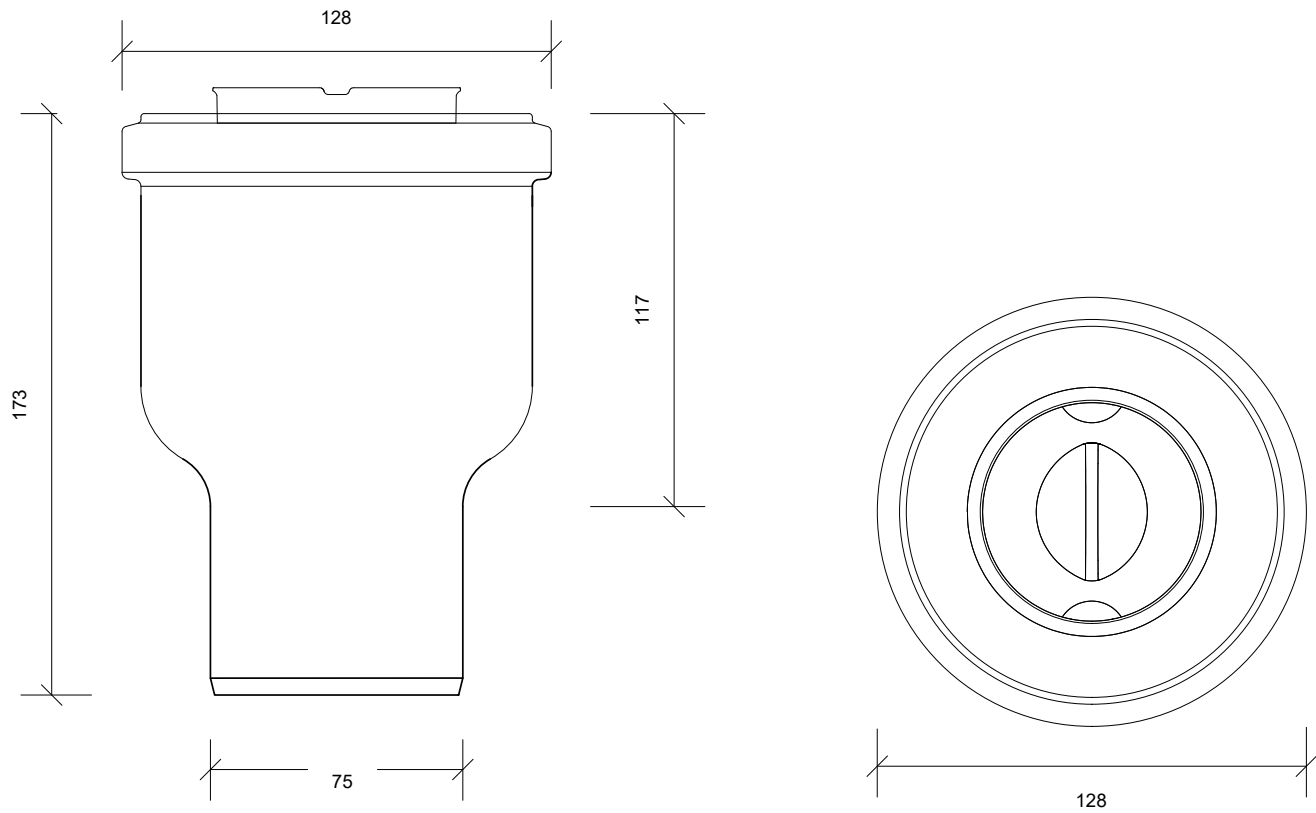
2511.0075 - Standard Outlet

Ø 75 mm high capacity vertical outlet



Specifications

ITEM NUMBER	BARRIER	MATERIAL
2412.0075	50mm Water Trap	Plastic (PP)
FITS	CONSTRUCTION HEIGHT (With Drain)	CAPACITY
Unidrain Square	186mm	1.0 l/s



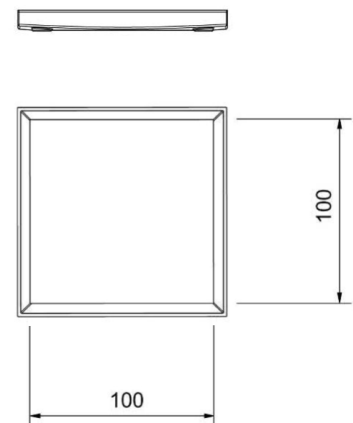
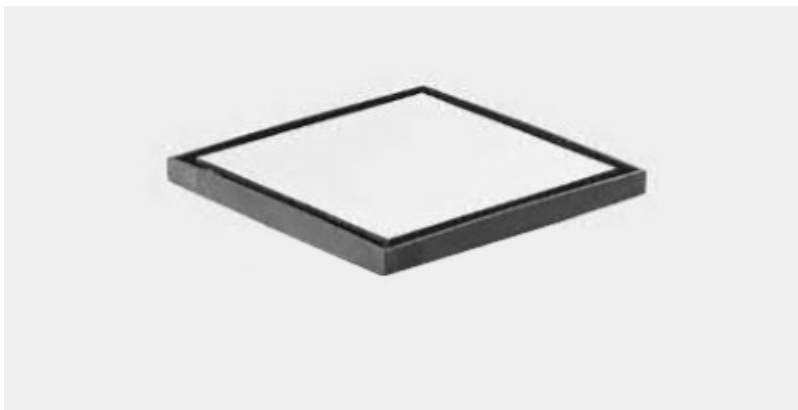
2412.0075

8400.0100 - Custom base

Custom base

For tile solution

Glue your own matching floor tiles to the base, to complete the solution. The Custom solution is placed on the fitting and trimmed so that the panel is level with the horizontal flange. Spacer supplied, to be used when fitting the tile.



Specifications

ITEM NUMBER	GTIN NUMBER	MATERIAL
8400.0100	5707692010304	Stainless steel (AISI 304) and plastic (ABS)
SURFACE		
Steel to be covered by tile		