

WM82150.K1CL  
CLASSIC DATA SHEET



**KIT CONTAINS**

**SQUARE MAIN DRAIN BODY  
STANDARD OUTLET  
CLASSICLINE FRAME  
CLASSIC GRATE**

**WM | Wetroom Materials**

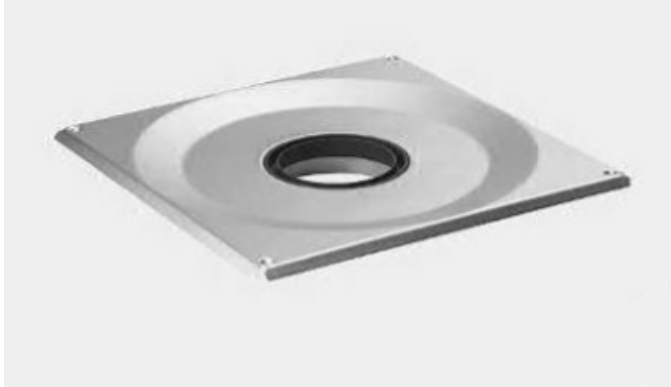
[www.wetroommaterials.com](http://www.wetroommaterials.com) [sales@wetroommaterials.com](mailto:sales@wetroommaterials.com)

UK: Derwentside, 25 Town Street, Duffield, Belper, Derbyshire, DE56 4EH T: +44 (0) 1332 840 820  
IRL: Unit E1 Ballymount Industrial Estate, Walkinstown, Dublin 12, D12 WR60 T: +353 (0) 1 297 3488

# 8013.0000

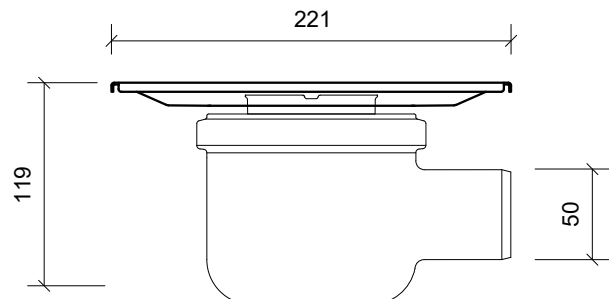
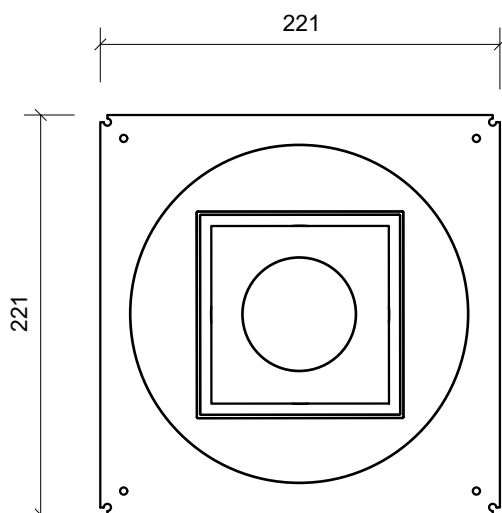
Complement with ClassicLine grating and frame or Custom base

Can be used together with ClassicLine frame and grating or Custom tile solution



## Specifications

ITEM NUMBER	MATERIAL	USAGE
8013.0000	Stainless steel (AISI 304)	Square drains
SUITABLE MEMBRANE	FLOOR CONSTRUCTION	FLOORING
Liquid or Sheet	All	Tiles



**8013.0000 with 2511.0050 outlet**

## 2511.0050 - Standard Outlet

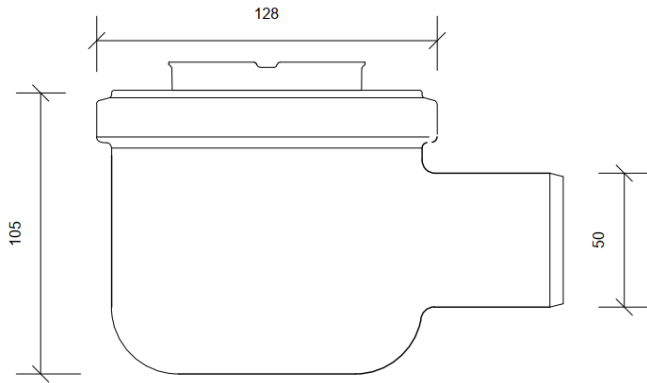
Ø 50 mm horizontal drain

Can be twisted in all directions to simplify pipework

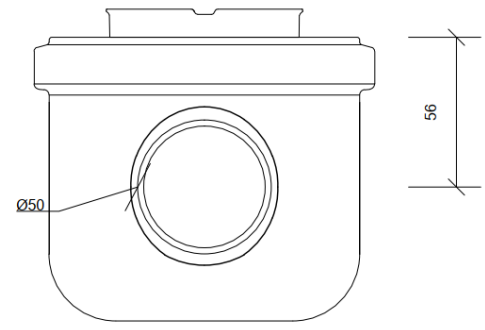


### Specifications

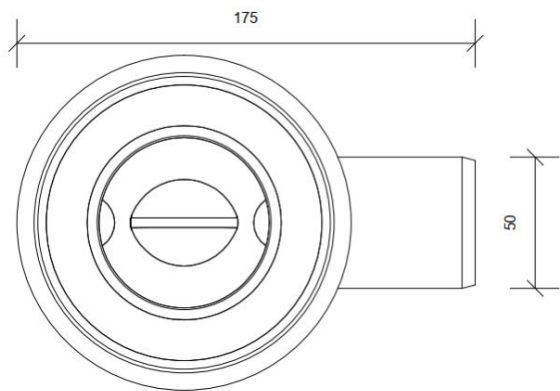
<b>ITEM NUMBER</b> 2511.0050	<b>BARRIER</b> 50mm Water Trap	<b>MATERIAL</b> Plastic (PP)
<b>FITS</b> Unidrain Square	<b>CONSTRUCTION HEIGHT (With Drain)</b> 119mm	<b>CAPACITY</b> 0.8 l/s



Side Opstalt/Side Elevation/Seitenansicht



Front Opstalt/Front Elevation/Frontansicht



**2511.0050**

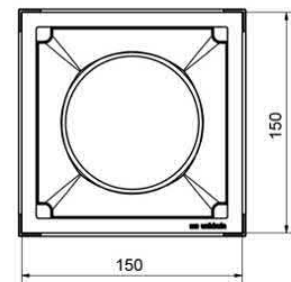
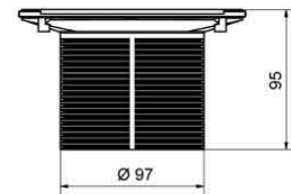
## 8200.0150 - Classic Line Frame

ClassicLine frame

To be combined with a ClassicLine grating of the same size

Height-adjustable ClassicLine frame. 150x150 mm.

Min. tile height 8 mm. Can be rotated to match tile pattern



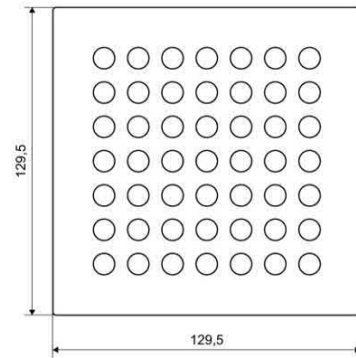
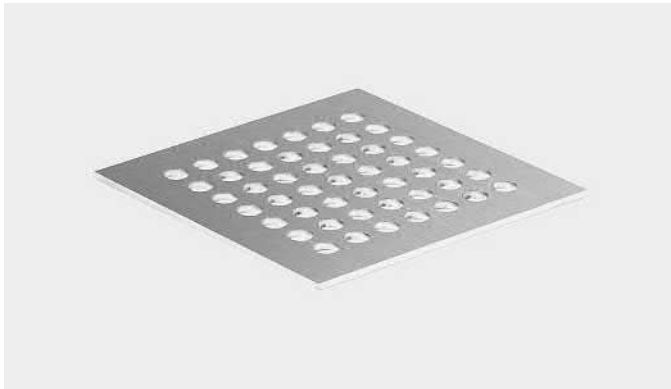
### Specifications

ITEM NUMBER	SURFACE	MATERIAL
8200.0150	Brushed steel	Stainless steel (AISI 304) and plastic (ABS)

## 8301.0150 - Classic Grate

To be combined with a ClassicLine frame of the same size

Grating mounted in frame



### Specifications

<b>ITEM NUMBER</b> 8301.0150	<b>SURFACE</b> Brushed steel	<b>MATERIAL</b> Stainless steel (AISI 304)
<b>FITS</b> 8200.0150		