

WM82150.K1CO
COLUMN DATA SHEET



KIT CONTAINS

**SQUARE MAIN DRAIN BODY
STANDARD OUTLET
CLASSICLINE FRAME
COLUMN GRATE**

WM | Wetroom Materials

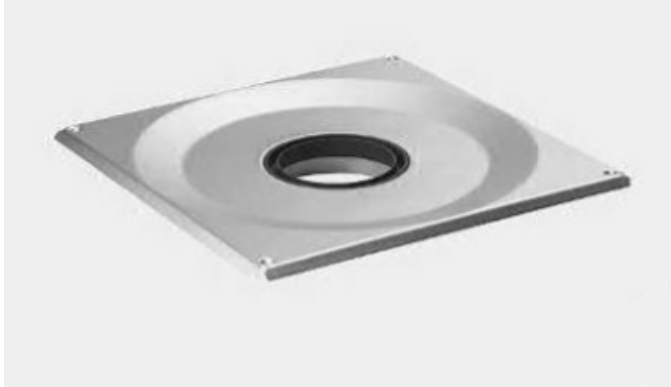
www.wetroommaterials.com sales@wetroommaterials.com

UK: Derwentside, 25 Town Street, Duffield, Belper, Derbyshire, DE56 4EH T: +44 (0) 1332 840 820
IRL: Unit E1 Ballymount Industrial Estate, Walkinstown, Dublin 12, D12 WR60 T: +353 (0) 1 297 3488

8013.0000

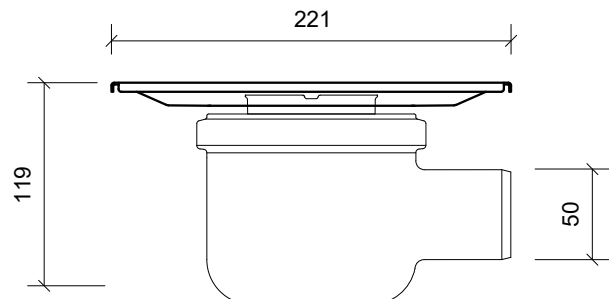
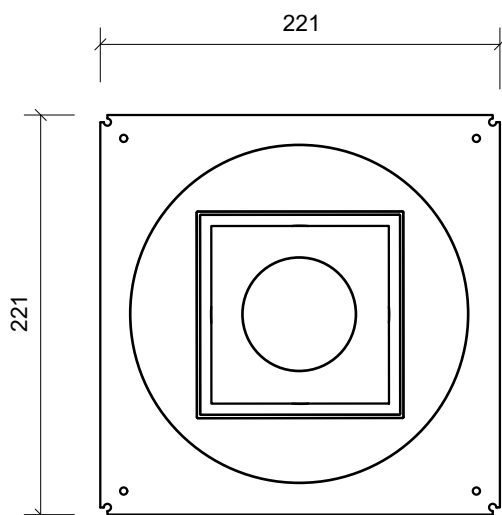
Complement with ClassicLine grating and frame or Custom base

Can be used together with ClassicLine frame and grating or Custom tile solution



Specifications

ITEM NUMBER	MATERIAL	USAGE
8013.0000	Stainless steel (AISI 304)	Square drains
SUITABLE MEMBRANE	FLOOR CONSTRUCTION	FLOORING
Liquid or Sheet	All	Tiles



8013.0000 with 2511.0050 outlet

2511.0050 - Standard Outlet

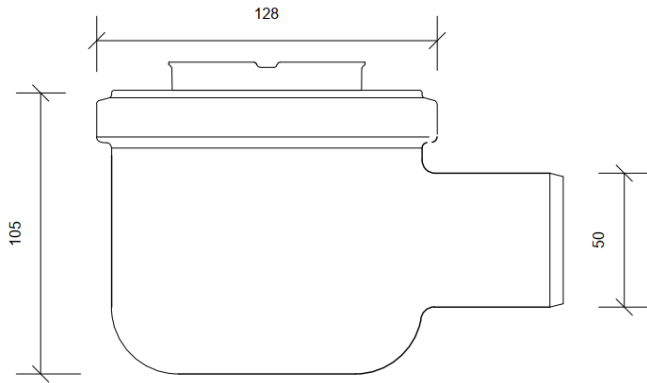
Ø 50 mm horizontal drain

Can be twisted in all directions to simplify pipework

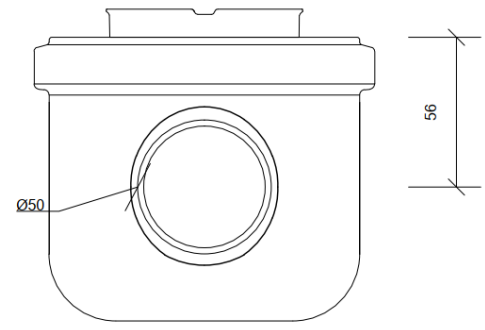


Specifications

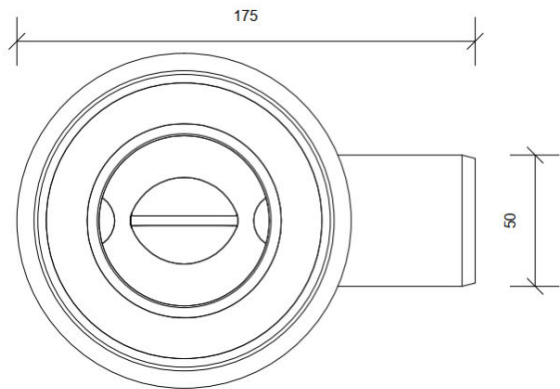
ITEM NUMBER 2511.0050	BARRIER 50mm Water Trap	MATERIAL Plastic (PP)
FITS Unidrain Square	CONSTRUCTION HEIGHT (With Drain) 119mm	CAPACITY 0.8 l/s



Side Opstalt/Side Elevation/Seitenansicht



Front Opstalt/Front Elevation/Frontansicht



2511.0050

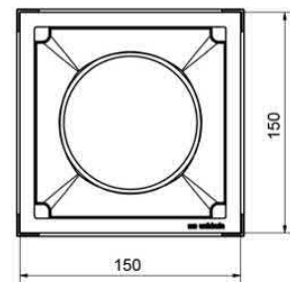
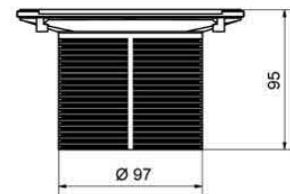
8200.0150 - Classic Line Frame

ClassicLine frame

To be combined with a ClassicLine grating of the same size

Height-adjustable ClassicLine frame. 150x150 mm.

Min. tile height 8 mm. Can be rotated to match tile pattern



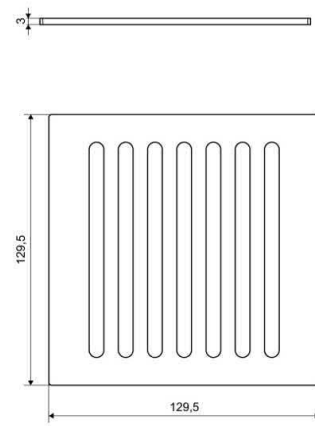
Specifications

ITEM NUMBER	SURFACE	MATERIAL
8200.0150	Brushed steel	Stainless steel (AISI 304) and plastic (ABS)

8302.0150 - Column Grate

To be combined with a ClassicLine frame of the same size

Grating mounted in frame



Specifications

ITEM NUMBER	SURFACE	MATERIAL
8302.0150	Brushed steel	Stainless steel (AISI 304)
FITS		
8200.0150		