

WM82150.K1COM01  
COLUMN DATA SHEET



**KIT CONTAINS**

SQUARE MAIN DRAIN BODY  
VERTICAL OUTLET  
CLASSICLINE FRAME  
COLUMN GRATE

**WM | Wetroom Materials**

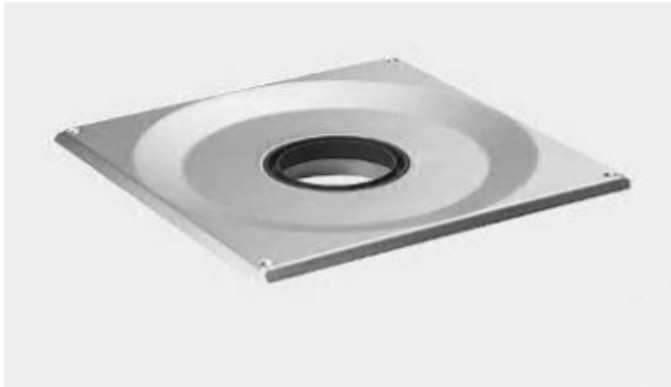
[www.wetroommaterials.com](http://www.wetroommaterials.com) [sales@wetroommaterials.com](mailto:sales@wetroommaterials.com)

UK: Derwentside, 25 Town Street, Duffield, Belper, Derbyshire, DE56 4EH T: +44 (0) 1332 840 820  
IRL: Unit E1 Ballymount Industrial Estate, Walkinstown, Dublin 12, D12 WR60 T: +353 (0) 1 297 3488

# 8013.0000

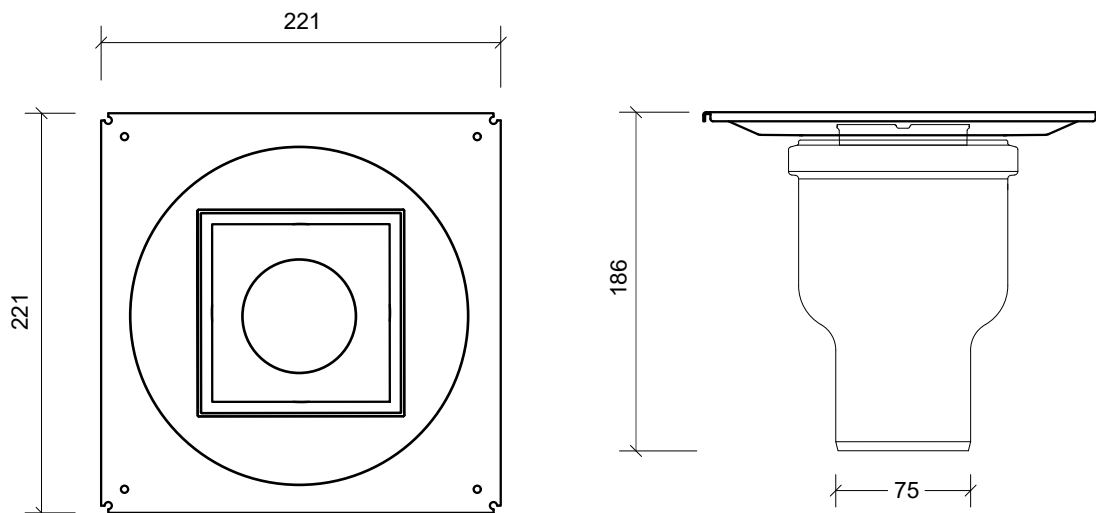
Complement with ClassicLine grating and frame or Custom base

Can be used together with ClassicLine frame and grating or Custom tile solution



## Specifications

ITEM NUMBER	MATERIAL	USAGE
8013.0000	Stainless steel (AISI 304)	Square drains
SUITABLE MEMBRANE	FLOOR CONSTRUCTION	FLOORING
Liquid or Sheet	All	Tiles



## 8013.0000 with 2412.0075 outlet

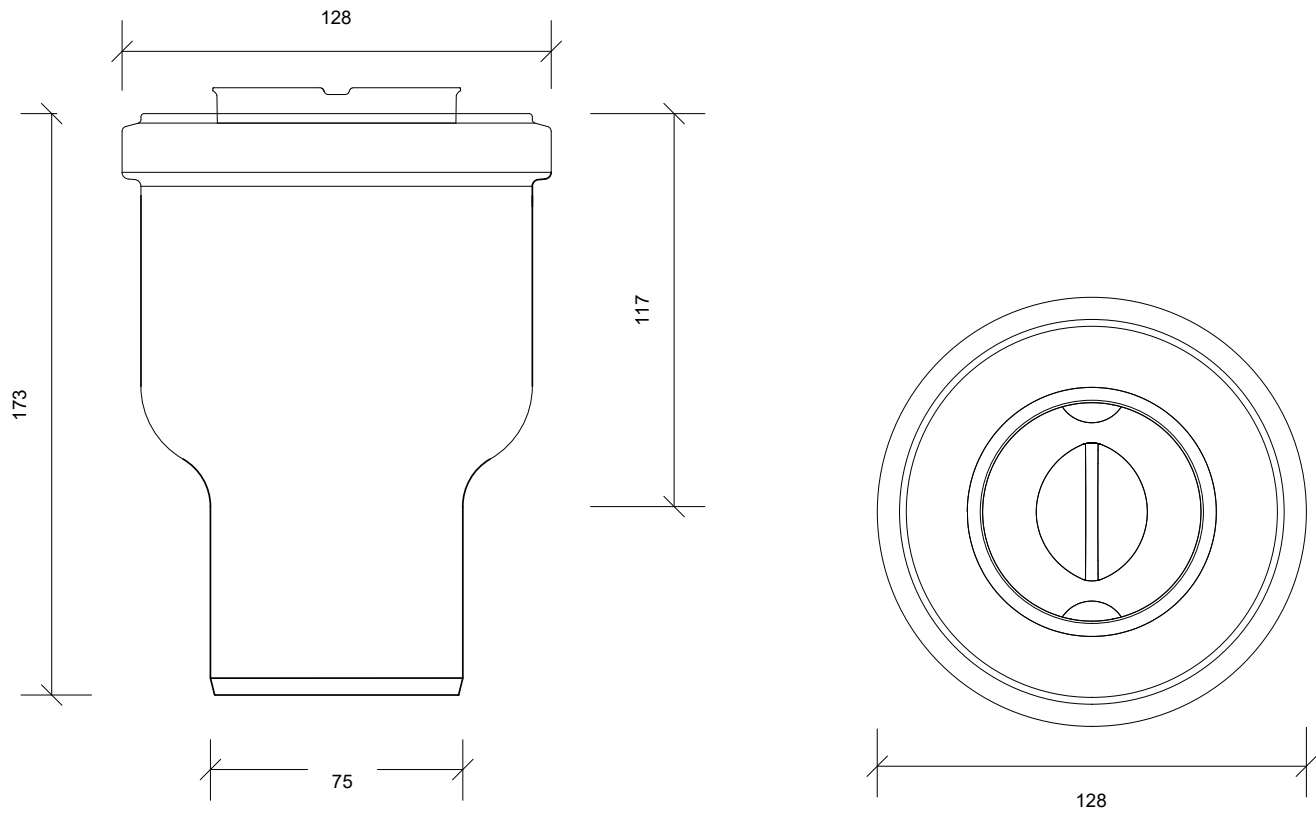
## 2511.0075 - Standard Outlet

Ø 75 mm high capacity vertical outlet



### Specifications

ITEM NUMBER	BARRIER	MATERIAL
2412.0075	50mm Water Trap	Plastic (PP)
FITS	CONSTRUCTION HEIGHT (With Drain)	CAPACITY
Unidrain Square	186mm	1.0 l/s



**2412.0075**

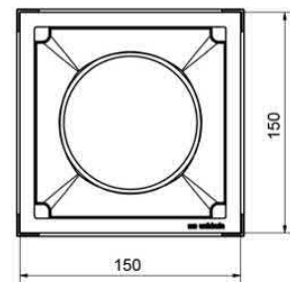
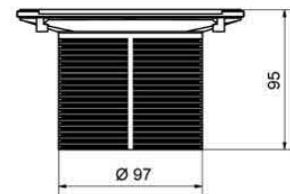
## 8200.0150 - Classic Line Frame

ClassicLine frame

To be combined with a ClassicLine grating of the same size

Height-adjustable ClassicLine frame. 150x150 mm.

Min. tile height 8 mm. Can be rotated to match tile pattern



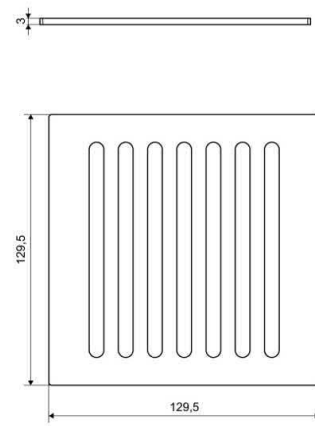
### Specifications

ITEM NUMBER	SURFACE	MATERIAL
8200.0150	Brushed steel	Stainless steel (AISI 304) and plastic (ABS)

## 8302.0150 - Column Grate

To be combined with a ClassicLine frame of the same size

Grating mounted in frame



### Specifications

<b>ITEM NUMBER</b>	<b>SURFACE</b>	<b>MATERIAL</b>
8302.0150	Brushed steel	Stainless steel (AISI 304)
<b>FITS</b>		
8200.0150		