



SharpDrain® | Linear Installation

Kit Includes

- 32 Litres Per Minute Linear Drain
- 1½" Connection
- 50mm Water Seal
- Tile Insert / Panel / Tile Base
- 330mm Factory Fitted Membrane

Tile Insert and Panel



Tile Line



Factory fitted membrane

Before installing

Ensure the drain is suitable for your requirements and you have all components to complete the installation

Concrete Floor Instructions - Page 2 and 5

Wooden Floor Instructions - Page 3, 4 and 5

Important

Read all the pages of these instructions fully and thoroughly before you commence installation and keep in a safe location for future reference.

Plumbing

All plumbing works should be carried out by a fully qualified professional plumber.

Sub Floor

It is important that SharpDrain is installed onto a strong, level, stable floor. Movement could affect the performance of your wetroom.

Checklist/Safety Notes

- Check you have all components before installation. If you do not have all the components, do not install and contact your retailer.
- Check all the contents for damage. If any parts are damaged, do not install and contact your retailer.
- SharpDrain must be installed flat and horizontal.
- Check the location of pipes, electrical cables and all other services prior to drilling, cutting and screwing into walls, ceilings and floors.
- Ensure your tools for installation are fit for purpose and follow manufacturer's instructions provided with the tools.
- The area / room must be clean, dust free with first fix plumbing and electrics in place prior to waterproofing.
- Always ensure that the Installation area is kept safe, especially from children and pets.
- Safety goggles and masks should be worn at all times.

Liability

The Manufacturer will not accept any liability for failure if SharpDrain has been installed incorrectly and with disregard to the instructions.

SharpDrain Installation Video



Viewing on pdf? Click QR Code

Wooden Floor Installation Set

SDL.D.WIS

Sold separately

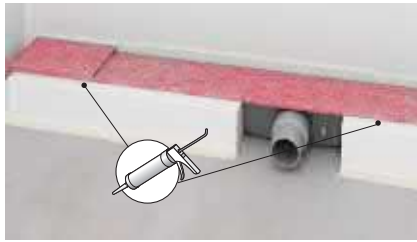


1



Screw the connector to the drain and make sure it is tight.

2



If using the polystyrene support, bed into adhesive. Glue top of mounting set and push drain on top ensuring it is level.

3



Connect 50mm coupling to the pipe to convert to your required size e.g. 1.5" / 2" etc. It is recommended to use the same brand pipe and coupling. Connect earth wire if required.

4



Connect pipework to the drain allowing for slope in pipe.

5



Slope the floor 1.25% to 2% to the drain.

6



Place fitted membrane into position.

7



Cut the corner where the membrane overlaps.

8



Using adhesive, apply membrane to floor & wall. Smooth to remove air pockets.

9



Apply glue to the corners where the membrane was cut.

10



Glue back of corner piece and push into place.

11



Waterproof remaining areas, allow to dry and tile the walls and floor.

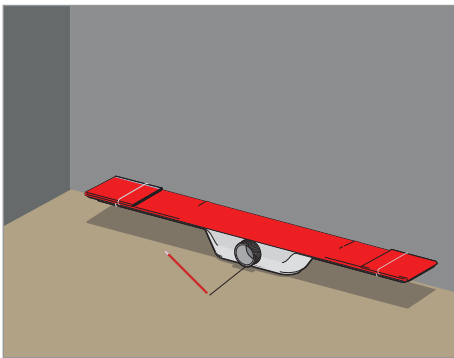
12



If required, use heightening blocks to adjust the frame height to suit floor.

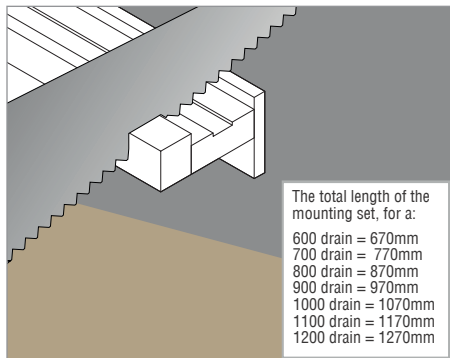
Refer to page 6 for tiling

1



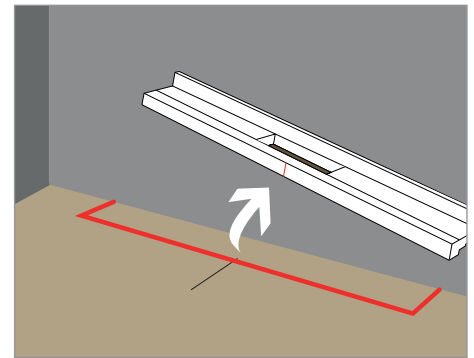
Ensure the floor is level. Place the drain into position and mark out the centre on the floor.

2



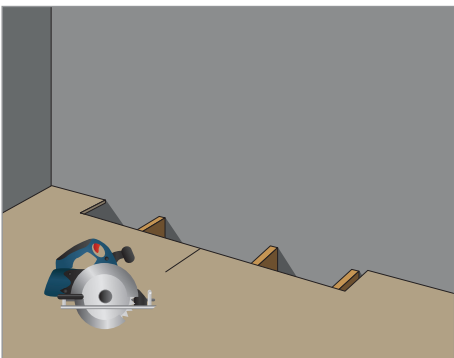
If required, trim the polystyrene mounting set following information above.

3



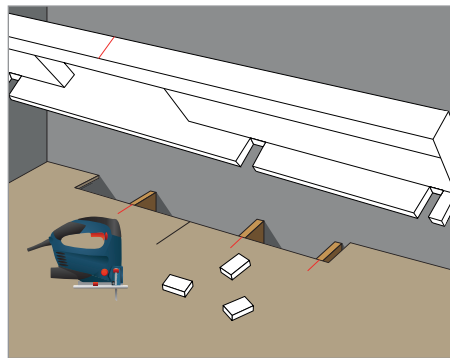
Place mounting set on floor and mark out outline of mounting set on the floor.

4



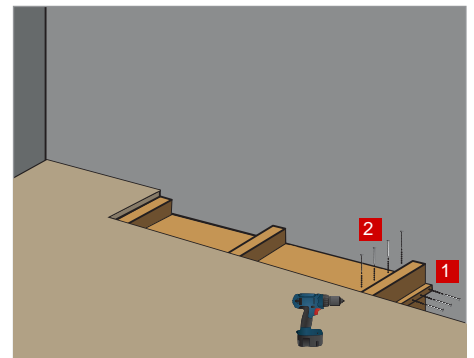
Cut out marked area on floor taking care not to damage and pipework under floor.

5



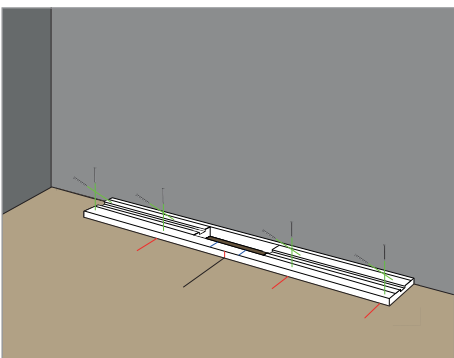
Cut mounting set to allow for the joists.

6



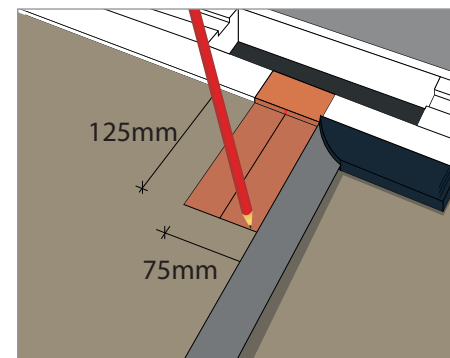
Screw batons to joists and screw ply onto batons for support under the mounting set.

7



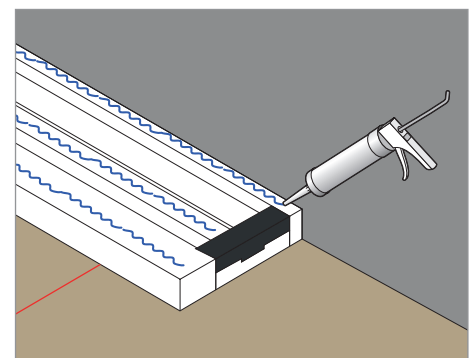
Push mounting set into recessed floor, ensure it is level and screw down into ply.

8



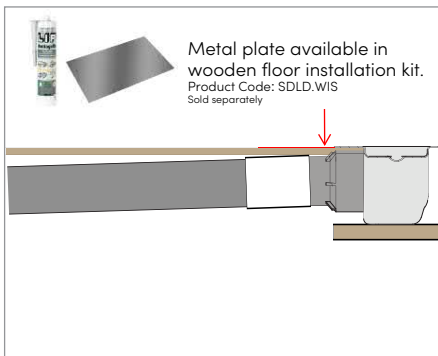
Mark out and cut out 125 x 75mm in front of the centre of the drain.

9



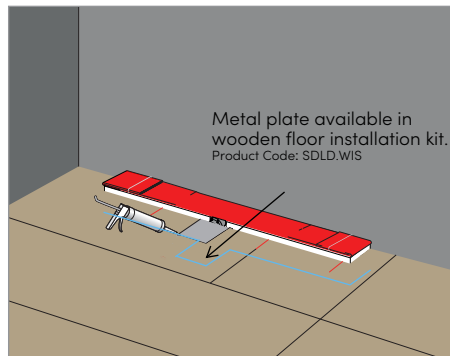
Apply glue onto the mounting set, place the drain on top and apply weight evenly to the top of the drain. Ensure drain is level.

10



Push 1.5" adapter onto the threaded pipe connection. Solvent weld 1.5" pipe into the adapter.

11



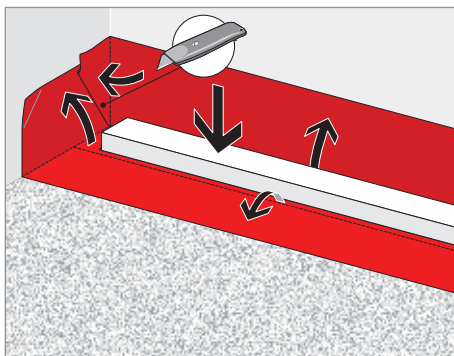
Glue around mounting set and metal plate (if required) to seal gaps.

12



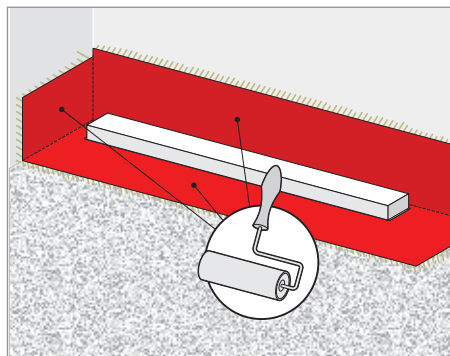
Slope the floor 1.25% to 2% to the drain. If screeding the slope, we recommend that this is done on a cementitious board instead of plywood to prevent the screed losing moisture through absorption before curing.

13



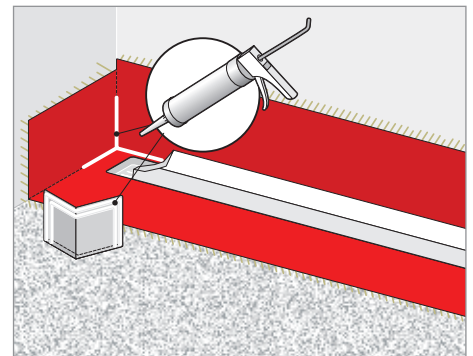
Place tiling guide into drain, unroll membrane. In corner cut membrane and overlap. Fold back over. Remove all debris, vacuum and prime floor and walls.

14



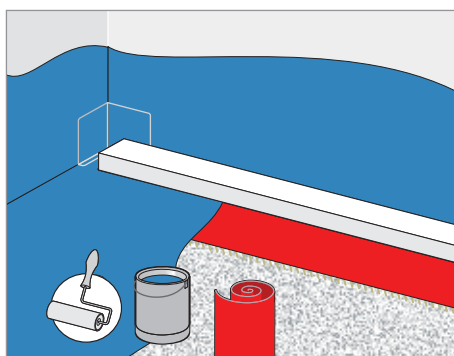
Fix membrane to floor and walls with tile adhesive. Smooth membrane with roller to remove air pockets.

15



Glue membrane in the corner and the back of plastic corner piece and push into place.

16



Waterproof remaining areas using liquid or sheet membrane

17



Allow waterproofing to dry. Tile the walls and floor.

18



If required, use heightening blocks to adjust the frame height to suit floor.

For Steel or coloured Panel

1



Tile Into the Tile Insert using water resistant glue

2



Seal around Frame using anti fungal silicone

3



Grease the O rings before placing into the drain.

For Steel or coloured Tile Insert

1



Tile Into the Tile Insert using water resistant glue

2



Seal around Frame using anti fungal silicone

3



Grease the O rings before placing into the drain.

For Tile Line

1



Tile onto the steel plate using water resistant glue. Ensure there is 6mm drainage gap

2



Grease the O rings before placing into the drain.

SharpDrain
Installation Video



Viewing on pdf? Click QR Code