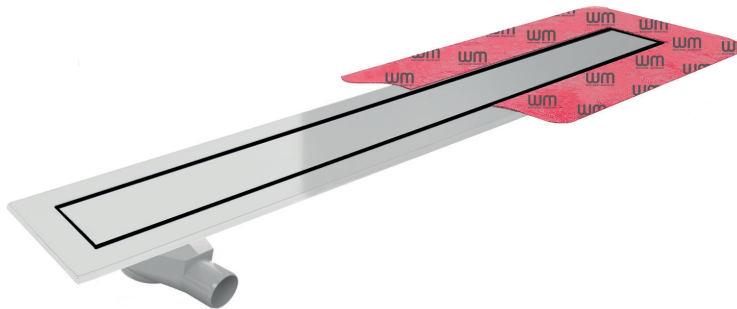


## PSDTL.0700

New and improved SharpDrain with 360 rotating offset outlet for tricky joists and easy connection. The drain can be rotated to have the outlet offset on the opposite site. Factory fitted membrane for added waterproof protection. Tile Line gives you the option to tile onto the drain with no visible metal trim for the invisible drain look.



### Specification

#### MATERIAL

Stainless Steel and Plastic

#### GRATING

Brushed Stainless Steel Panel to tile onto

#### CAPACITY

48 l/min

#### USAGE

LINEAR DRAIN

#### MEMBRANE

FACTORY FITTED SHEET MEMBRANE

#### FLOORING

TILES

#### WATER TRAP HEIGHT

50mm

#### REMOVABLE TRAP FOR CLEANING

YES

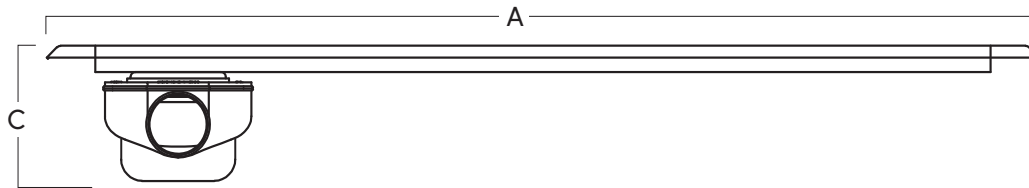
#### OUTLET

360° ROTATING OUTLET

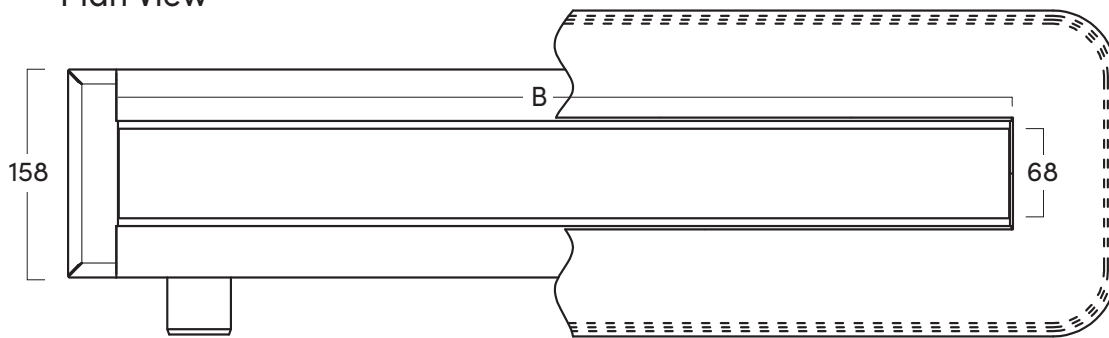
# SharpDrain® Pro Tile Line

PSDTL.0700

Front View



Plan View



STRUCTURAL LENGTH - A

780mm

VISUAL LENGTH - B

700mm

DRAIN DEPTH - C

104mm