

SharpDrain® Pro | Linear PourFlex

PSDPF.0500

SharpDrain designed for Poured and Trowelled floors like Resin, Microcement and Tadelakt. The drain has a 360° rotating offset outlet for easy connection. The drain can be rotated to have the outlet offset on the opposite site. Available as Brushed Stainless Steel Panel or reverse and use as insert.



Specification

MATERIAL

Stainless Steel and Plastic

GRATING

Brushed Stainless Steel Panel and insert

CAPACITY

48 l/min

USAGE

Linear Drain

FLOORING

Poured and Trowelled Floors

OUTLET

360° Rotating Outlet

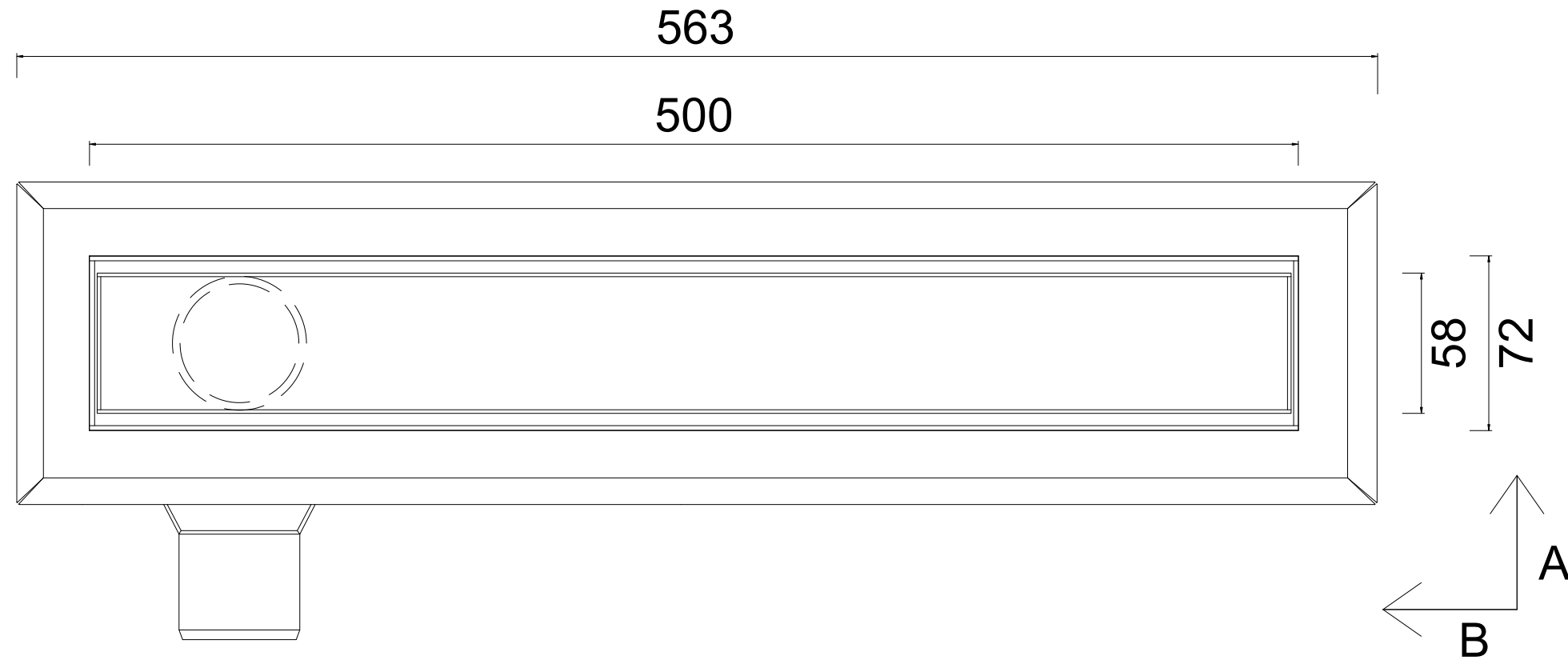
WATER TRAP HEIGHT

50mm

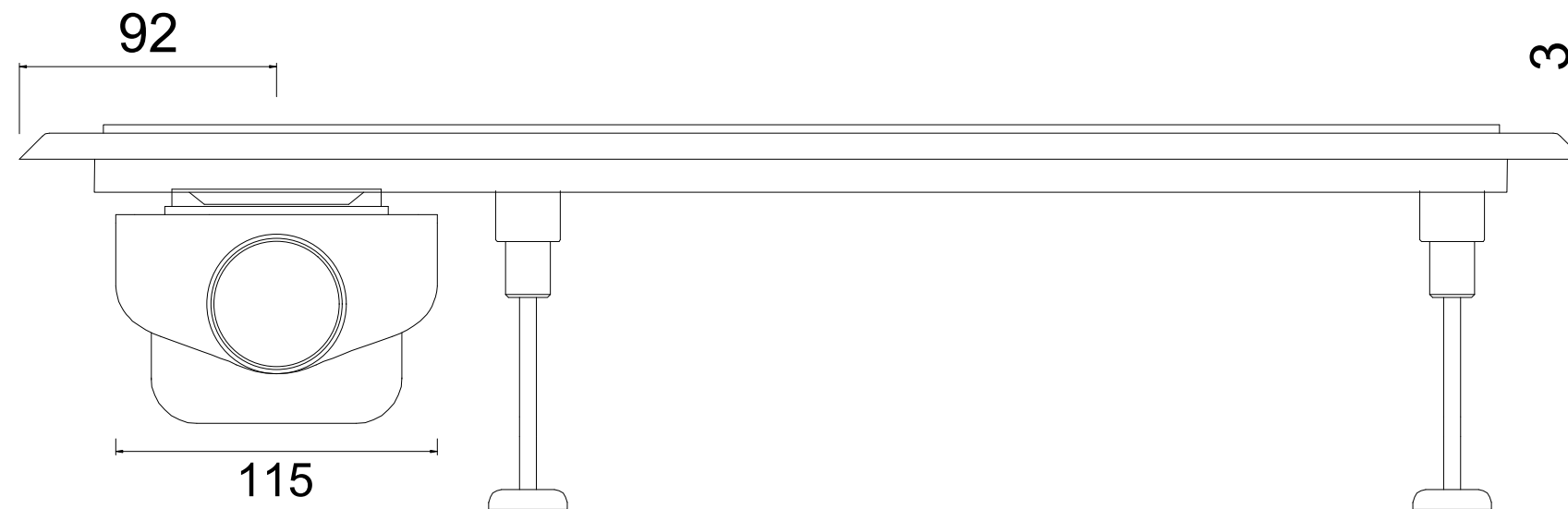
REMOVABLE TRAP FOR CLEANING

Yes

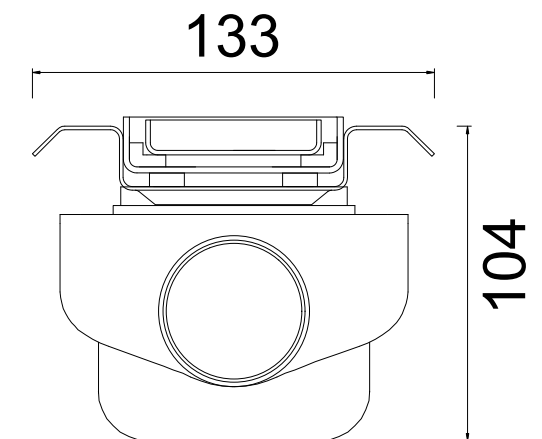
Plan View



Section A



Section B



In addition to the product in this drawing, we have a range of solutions for difference scenarios. If this system is not suitable, please contact us for other solutions.

This drawing is the property of WM | Wetroom Materials and must not be used for any unauthorised purpose without the written consent. Please review all technical information to ensure this system is suitable for your project. If you have any questions, please contact us.

www.wetroommaterials.com | sales@wetroommaterials.com | UK +44 (0) 1332 840 820 | IRE +353 (0) 1 297 3488

Product Code
PSDPF.0500

Description
500 Model SharpDrain Pro PourFlex

Date: 29/07/2024

Scale: 1:2.5 @ A3

wm
wetroom materials