

# SharpDrain® Pro | Linear PourFlex

## PSDPF.0600

SharpDrain designed for Poured and Trowelled floors like Resin, Microcement and Tadelakt. The drain has a 360° rotating offset outlet for easy connection. The drain can be rotated to have the outlet offset on the opposite site. Available as Brushed Stainless Steel Panel or reverse and use as insert.



## Specification

### MATERIAL

Stainless Steel and Plastic

### GRATING

Brushed Stainless Steel Panel and insert

### CAPACITY

48 l/min

### USAGE

Linear Drain

### FLOORING

Poured and Trowelled Floors

### OUTLET

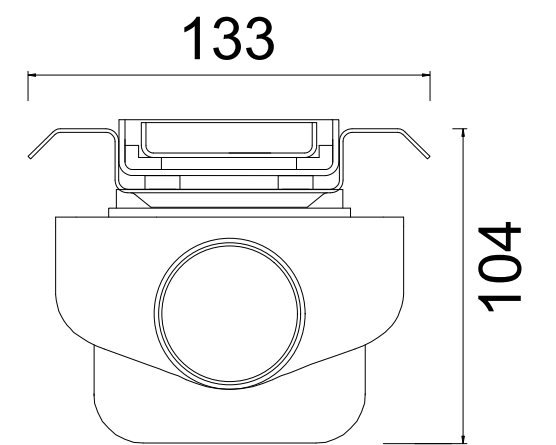
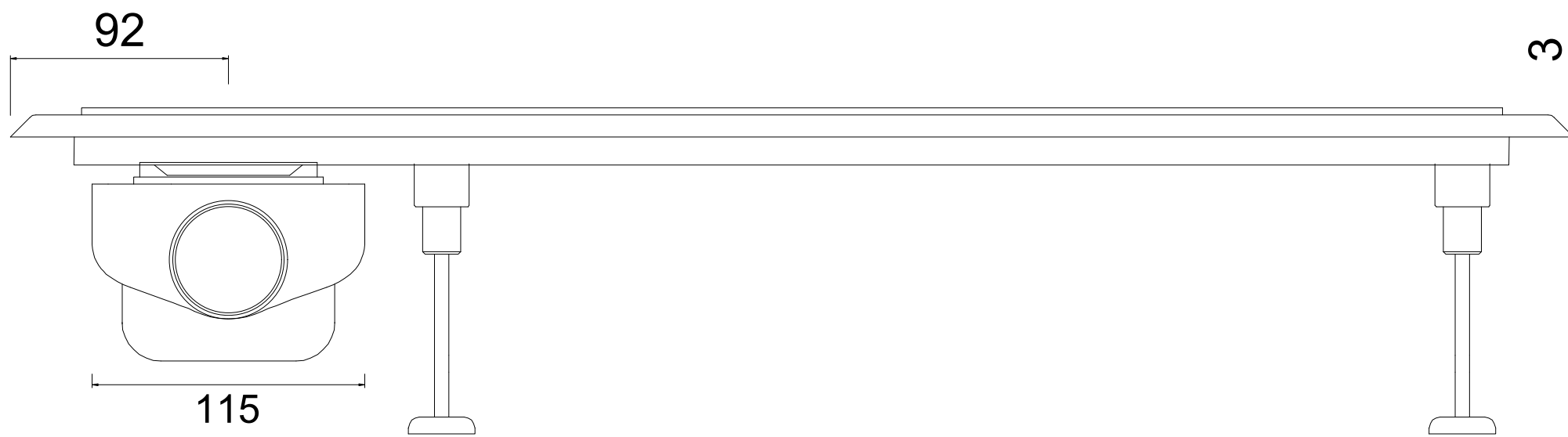
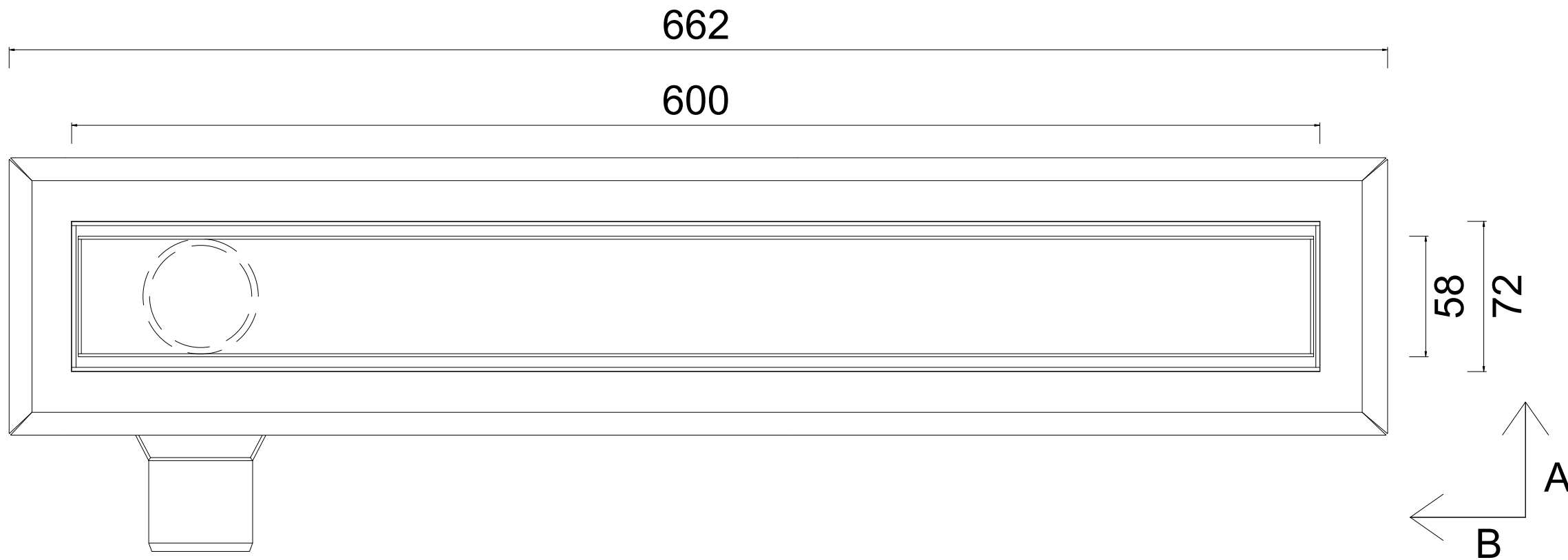
360° Rotating Outlet

### WATER TRAP HEIGHT

50mm

### REMOVABLE TRAP FOR CLEANING

Yes



In addition to the product in this drawing, we have a range of solutions for difference scenarios. If this system is not suitable, please contact us for other solutions.

This drawing is the property of WM | Wetroom Materials and must not be used for any unauthorised purpose without the written consent. Please review all technical information to ensure this system is suitable for your project. If you have any questions, please contact us.

www.wetroommaterials.com | sales@wetroommaterials.com | UK +44 (0) 1332 840 820 | IRE +353 (0) 1 297 3488

**Product Code**  
PSDPF.0600

**Description**  
600 Model SharpDrain Pro PourFlex

**Date:** 29/07/2024

**Scale:** 1:2.5 @ A3

