

# SharpDrain® Pro | Vinyl Linear

## PSDVLC.0800

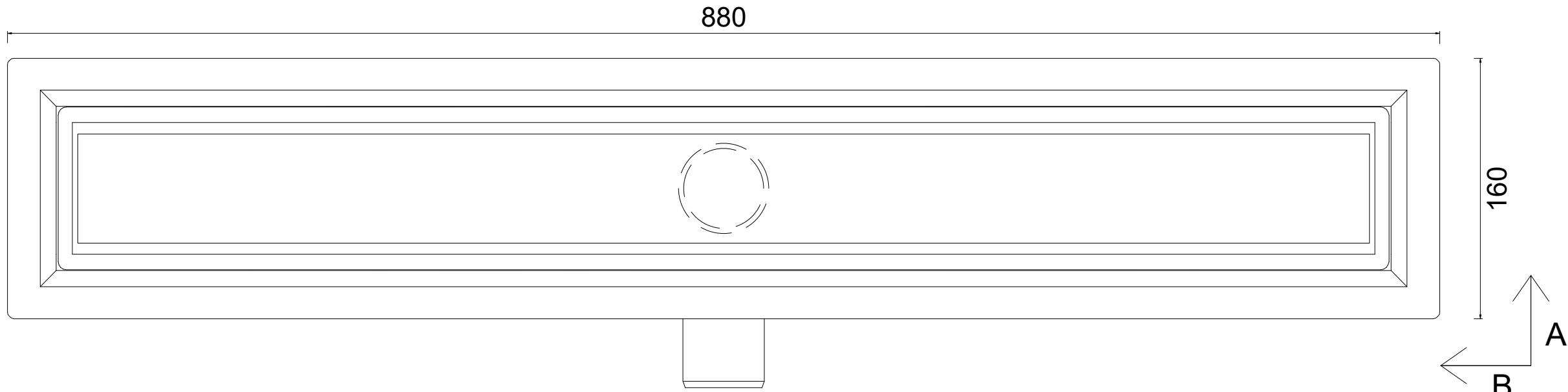
A steel drain with 360° rotating outlet positioned in the centre of the drain. The vinyl is secured in place with the clamping frame which is suitable for vinyl from 0.5mm to 5mm thick. The cover is a Brushed Stainless Steel Panel. SharpDrain Pro Vinyl Linear is very easy to install and is supplied with installation feet.



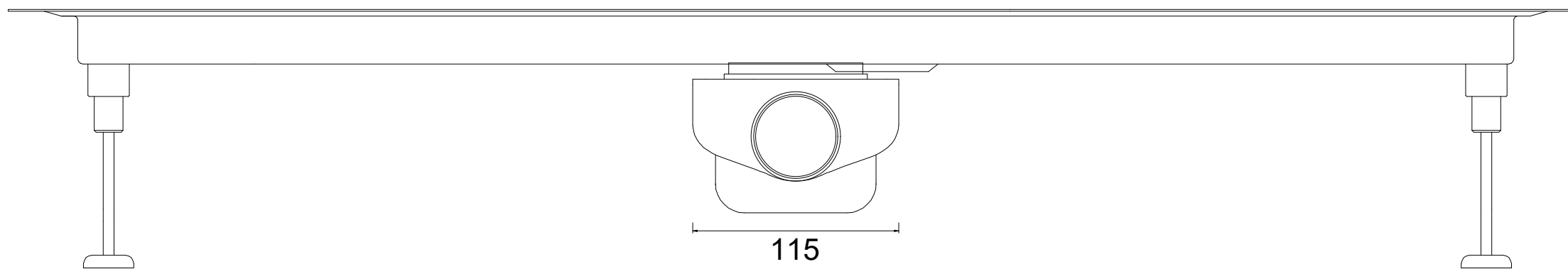
### Specification

<b>MATERIAL</b> STAINLESS STEEL AND PLASTIC	<b>GRATING</b> BRUSHED STAINLESS STEEL PANEL	<b>CAPACITY</b> 48 l/min
<b>USAGE</b> LINEAR DRAIN	<b>CLAMPING FRAME FOR VINYL</b> YES	<b>FLOORING</b> VINYL
<b>WATER TRAP HEIGHT</b> 50mm	<b>REMOVABLE TRAP FOR CLEANING</b> YES	<b>OUTLET</b> 360° ROTATING OUTLET

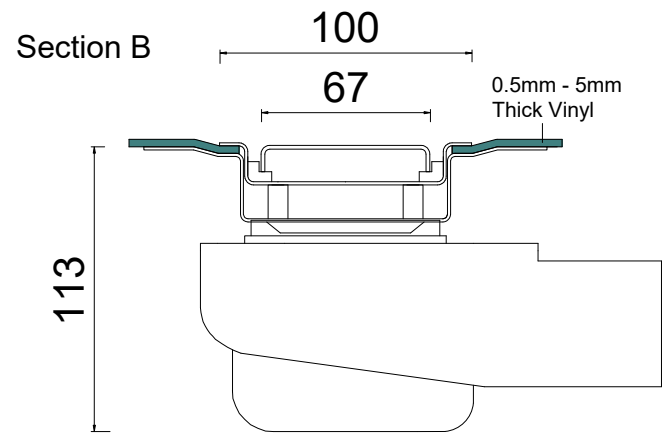
Plan View



Section A



Section B



In addition to the product in this drawing, we have a range of solutions for difference scenarios. If this system is not suitable, please contact us for other solutions.

This drawing is the property of WM | Wetroom Materials and must not be used for any unauthorised purpose without the written consent. Please review all technical information to ensure this system is suitable for your project. If you have any questions, please contact us.

www.wetroommaterials.com | sales@wetroommaterials.com | UK +44 (0) 1332 840 820 | IRE +353 (0) 1 297 3488

**Product Code**  
PSDVLC.0800

**Description**  
800 Model SharpDrain Vinyl Linear Centre Standard Outlet

**Date:** 21/01/2025

**Scale:** 1:3 @ A3

