

SharpDrain® Pro | Vinyl Linear



PSDVLE.0700MO1

A steel drain with a low profile rotating outlet positioned at the end of the drain. The drain can be rotated to have the outlet placed on opposite the side. The vinyl is secured in place with the clamping frame which is suitable for vinyl from 0.5mm to 5mm thick. The cover is a Brushed Stainless Steel Panel. SharpDrain Pro Vinyl Linear is very easy to install and is supplied with installation feet.



Specification

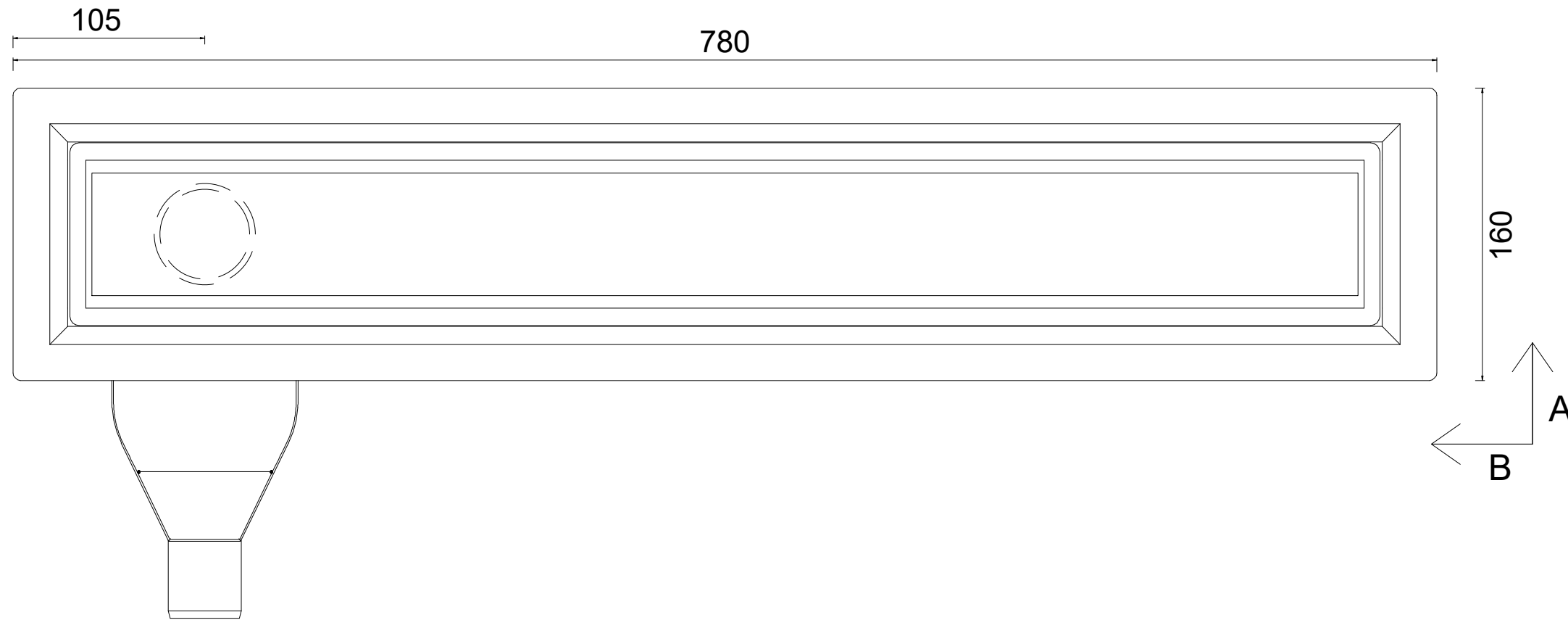
MATERIAL STAINLESS STEEL AND PLASTIC	GRATING BRUSHED STAINLESS STEEL PANEL	CAPACITY 36 l/min
USAGE LINEAR DRAIN	CLAMPING FRAME FOR VINYL YES	FLOORING VINYL
WATER SEAL TRAP HEIGHT 30mm <small>Must be installed in accordance with BS EN 1253-6</small>	REMOVABLE TRAP FOR CLEANING YES	OUTLET ROTATING OUTLET - FRONT AND BACK FACING

WM | Wetroom Materials

www.wetroommaterials.com sales@wetroommaterials.com

UK: Derwentside, 25 Town Street, Duffield, Belper, Derbyshire, DE56 4EH T: +44 (0) 1332 840 820
IRL: Unit E1 Ballymount Industrial Estate, Walkinstown, Dublin 12, D12 WR60 T: +353 (0) 1 297 3488

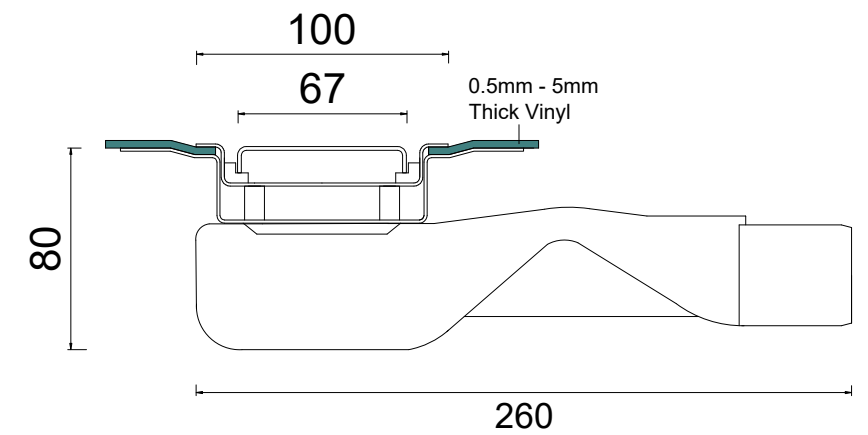
Plan View



Section A



Section B



In addition to the product in this drawing, we have a range of solutions for difference scenarios. If this system is not suitable, please contact us for other solutions.

This drawing is the property of WM | Wetroom Materials and must not be used for any unauthorised purpose without the written consent. Please review all technical information to ensure this system is suitable for your project. If you have any questions, please contact us.

www.wetroommaterials.com | sales@wetroommaterials.com | UK +44 (0) 1332 840 820 | IRE +353 (0) 1 297 3488

Product Code
PSDVLE.0700MO1

Description
700 Model SharpDrain Vinyl Linear End Low Profile Shallow Outlet

Date: 21/01/2025

Scale: 1:3 @ A3

