

# SharpDrain® Pro | Vinyl Linear

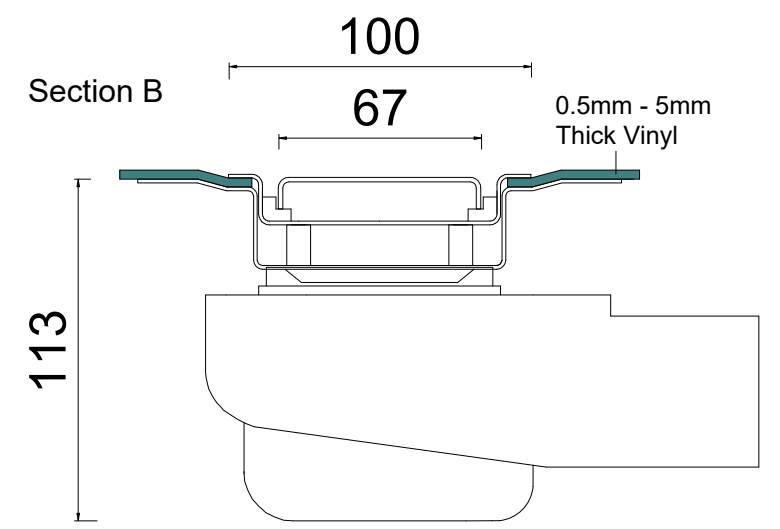
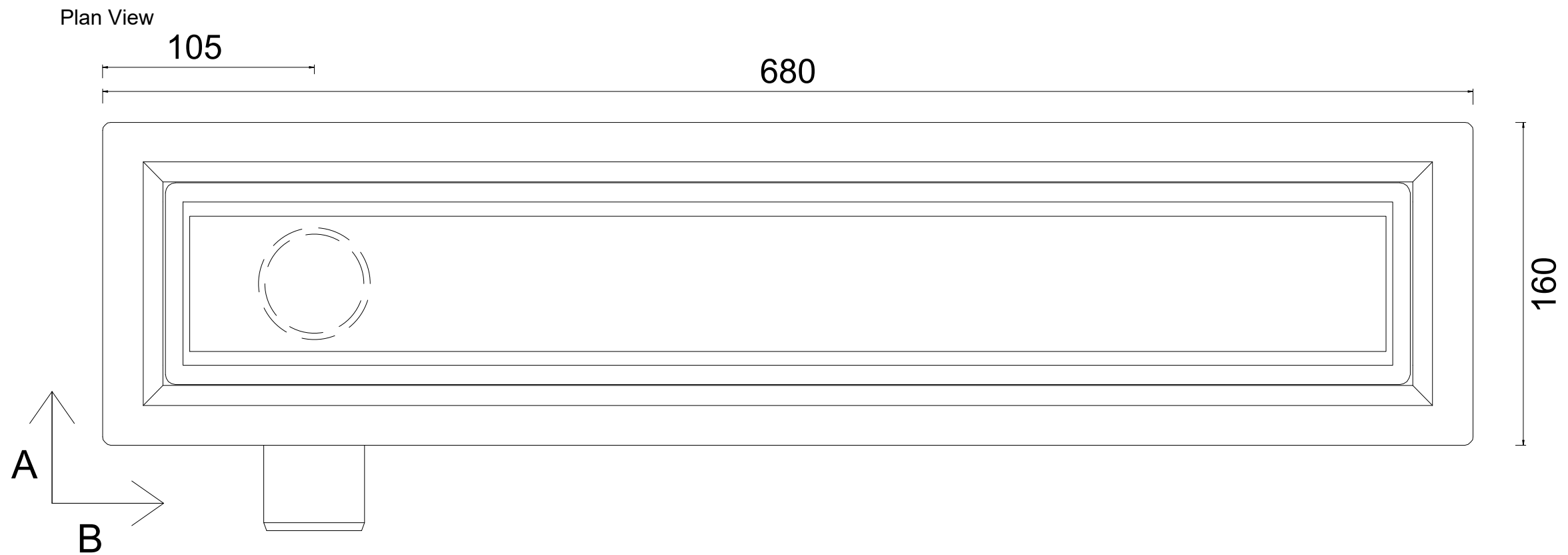
## PSDVLE.0600

A steel drain with 360° rotating outlet positioned at the end of the drain. The drain can be rotated to have the outlet placed on opposite the side. The vinyl is secured in place with the clamping frame which is suitable for vinyl from 0.5mm to 5mm thick. The cover is a Brushed Stainless Steel Panel. SharpDrain Pro Vinyl Linear is very easy to install and is supplied with installation feet.



### Specification

<b>MATERIAL</b>	<b>GRATING</b>	<b>CAPACITY</b>
STAINLESS STEEL AND PLASTIC	BRUSHED STAINLESS STEEL PANEL	48 l/min
<b>USAGE</b>	<b>CLAMPING FRAME FOR VINYL</b>	<b>FLOORING</b>
LINEAR DRAIN	YES	VINYL
<b>WATER TRAP HEIGHT</b>	<b>REMOVABLE TRAP FOR CLEANING</b>	<b>OUTLET</b>
50mm	YES	360° ROTATING OUTLET



In addition to the product in this drawing, we have a range of solutions for difference scenarios. If this system is not suitable, please contact us for other solutions.

This drawing is the property of WM | Wetroom Materials and must not be used for any unauthorised purpose without the written consent. Please review all technical information to ensure this system is suitable for your project. If you have any questions, please contact us.

www.wetroommaterials.com | sales@wetroommaterials.com | UK +44 (0) 1332 840 820 | IRE +353 (0) 1 297 3488

**Product Code**  
PSDVLE.0600

**Description**  
600 Model SharpDrain Vinyl Linear End Standard Outlet

**Date:** 21/01/2025

**Scale:** 1:2.5 @ A3

