

UNIDRAIN OUTLET OPTIONS

WE STOCK A WIDE RANGE OF OUTLETS FROM LOW PROFILE TO HIGH CAPACITY. OUTLETS CAN BE CHANGED TO SUIT YOUR FLOOR CONSTRUCTION AND PROJECT REQUIREMENTS. BELOW ARE THE MOST POPULAR OUTLETS.

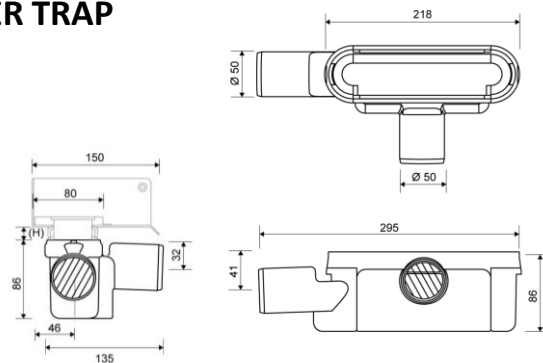


Standard Outlet
Unidrain can be used with a large range of outlets to suit different scenarios

STANDARD OUTLET WITH 50MM WATER TRAP



- Choice of pipework directions
- 54 l/min capacity
- 50mm pipe work with 1.5" adapter
- Removable Trap for cleaning
- Can be turned 180°

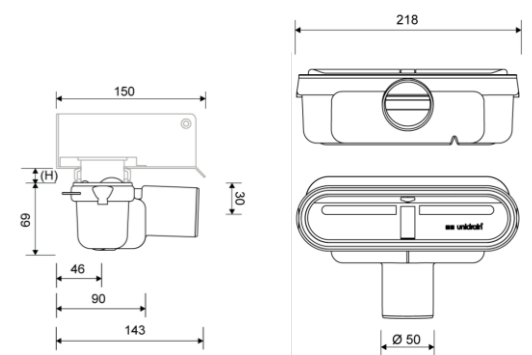


Product Code 1416.0050

LOW PROFILE WITH 50MM WATER TRAP



- New low profile design
- 32 l/min capacity
- 50mm pipe work with 1.5" adapter
- Removable Trap for cleaning
- Can be turned 180°

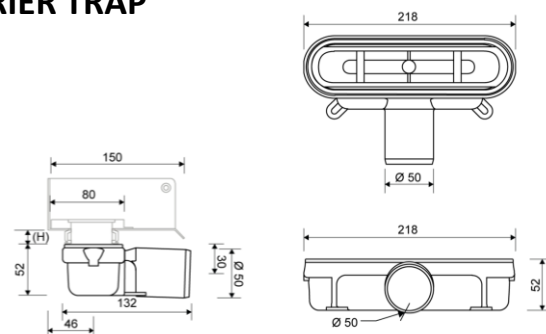


Product Code 1418.0050

LOW PROFILE WITH ANTI ODOUR BARRIER TRAP



- Installation depth from only 64mm
- 36 l/min capacity
- 50mm pipe work with 1.5" adapter
- Removable Trap for cleaning
- Can be turned 180°

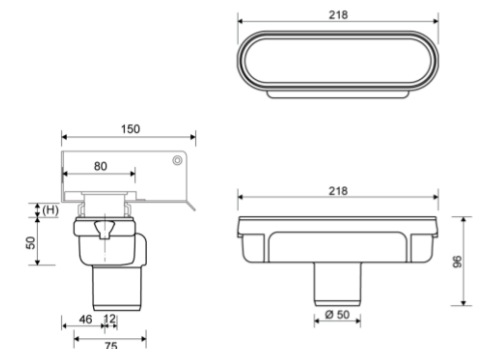


Product Code 1417.0050

VERTICAL WITH ANTI ODOUR BARRIER



- Vertical pipework
- 36 l/min capacity
- 50mm pipe work with 1.5" adapter
- Removable Trap for cleaning



Product Code 1312.0050

UNIDRAIN OUTLET OPTIONS

WE STOCK A WIDE RANGE OF OUTLETS FROM LOW PROFILE TO HIGH CAPACITY. OUTLETS CAN BE CHANGED TO SUIT YOUR FLOOR CONSTRUCTION AND PROJECT REQUIREMENTS. BELOW ARE THE MOST POPULAR OUTLETS.

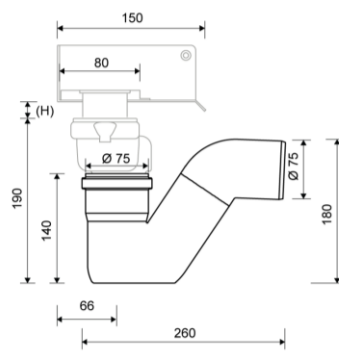


Standard Outlet
Unidrain can be used with a large range of outlets to suit different scenarios

HIGH CAPACITY SELF CLEANING OUTLET



- 102 l/min capacity
- 75mm pipe work with 2" adapter
- Self cleaning P Trap
- Can be turned 360°

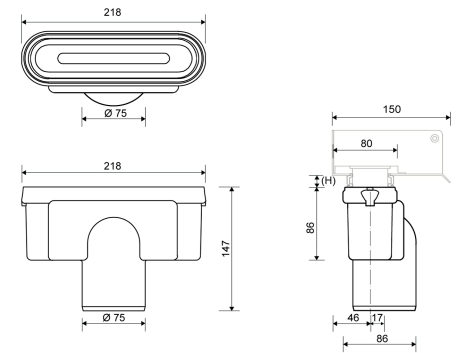


Product Code 1312.0075 + P Trap

HIGH CAPACITY VERTICAL OUTLET



- Vertical pipework
- 90 l/min capacity
- 75mm pipe work with 2" adapter
- Removable Trap for cleaning



Product Code 1412.0075

