



THE SHARP COLLECTION

SCANDINAVIAN WETROOM SOLUTIONS

EURO PRICE LIST

Terms and Conditions Apply

Delivery Costs

Pallet for Dublin €30.00 | Outside Dublin €80.00

Parcel Costs €10.00

WM | Wetroom Materials

Retailer Terms & Conditions

For the most up-to-date version, visit:

www.wetroommaterials.com/retailer-and-customer-terms-conditions/

1. Minimum Order Value

A minimum order value applies to all purchases. Additional delivery charges may apply for tanking membrane, screed, or tile adhesive due to weight and handling requirements. Please contact WM for specific cost details.

2. Payment Terms

Unless otherwise agreed in writing, all invoices are payable within 30 days from the date of invoice.

WM reserves the right to require pro forma payment or deposit payments for certain orders, including but not limited to large orders, special orders, or bespoke items.

Late payments may result in:

- Suspension of future deliveries until the account is brought up to date.
- Withdrawal of any previously agreed credit facilities.
- All payments must be made in full and without deduction, set-off, or counterclaim unless agreed by WM in writing.
- Ownership of goods does not pass to the customer until all outstanding invoices are settled in full (see Section 6: Title to Goods).

3. Cancellations

All cancellations must be made in writing via email to sales@wetroommaterials.com

Orders can only be cancelled before dispatch. Many orders are dispatched the same day, so rapid notification is essential.

Once an order has been dispatched, it cannot be cancelled. Goods must instead be returned in accordance with the Returns Policy.

Deliveries cannot be refused once dispatched; all associated delivery and return costs will be recovered by WM.

Bespoke or made-to-order items cannot be cancelled once manufacturing has commenced.

4. Returns

All return requests must be made within 14 days of delivery by emailing sales@wetroommaterials.com

Approved returns must arrive at our warehouse no later than 30 days from the original delivery date.

A completed Returns Form must accompany all returned goods.

Goods must be in their original packaging and in unused, resalable condition.

Refunds are not available for items that have already been assembled or installed.

Return shipping costs are the responsibility of the customer. All goods must be sent via recorded or insured delivery.

A 25% restocking fee will be applied to returned items.

Bespoke or made-to-order products are not returnable.

5. Damaged Goods & Shortages

Claims for damaged items, missing parts, or shortages must be submitted in writing within 24 hours of delivery to

sales@wetroommaterials.com

Claims received outside this timeframe cannot be accepted.

Customers may be required to supply photographs, retain packaging, or hold goods for inspection.

6. Delivery

Delivery times provided by WM are estimates only and may vary.

Additional charges may apply for palletised, oversized, or heavy goods.

Risk transfers to the customer once goods are delivered to the address provided, regardless of whether the customer is present to receive the delivery.

7. Title to Goods

All goods remain the property of WM | Wetroom Materials until all invoices relating to the order are paid in full.

This includes:

- The right to reclaim goods if payment is not received.
- No transfer of ownership until full settlement of all outstanding balances.

8. Bespoke Orders

Items that are bespoke, customised, or made to order are:

- Non-cancellable once manufacturing has commenced.
- Non-returnable.
- Non-refundable.

9. Liability

WM shall not be liable for indirect, incidental, or consequential losses arising from the use, installation, or resale of goods.

WM's total liability is limited to the invoiced value of the goods supplied.

Retailers are responsible for ensuring that products are installed correctly and in accordance with manufacturer guidelines.

WM are not responsible for any incorrect installations that result in damaged goods or property.

10. Amendments to Terms

WM reserves the right to update or amend these Terms & Conditions at any time.

The most recent version published on our website will apply to all orders.



USEFUL CONTACTS

All Orders

orders@wetroommaterials.com

Delivery Queries

sales@wetroommaterials.com

Design / Technical Specification Assistance

sales@wetroommaterials.com

All Queries

sales@wetroommaterials.com

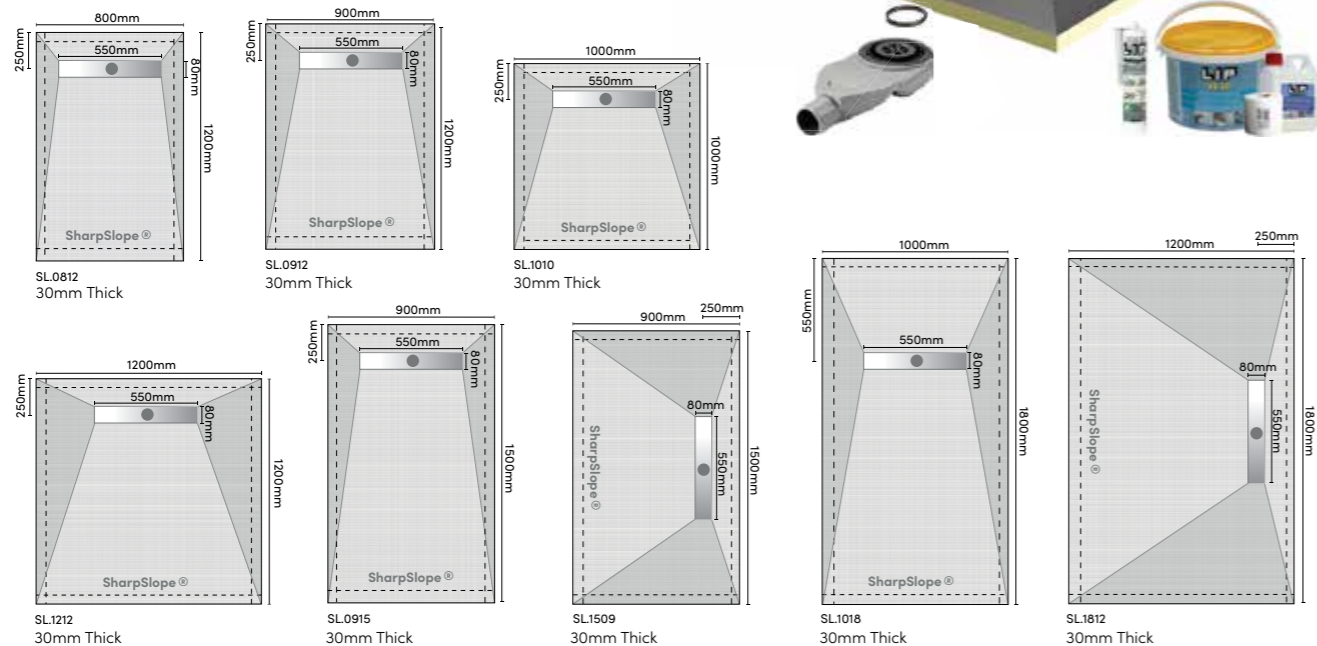
Telephone Number

01 297 3488

SharpSlope® | Linear

Kit Includes

- Integrated Drain
- Ultra Shallow Outlet
- 32 Litres Per Minute
- Preformed Wetroom Tray
- Waterproofing Kit



Can Be Trimmed

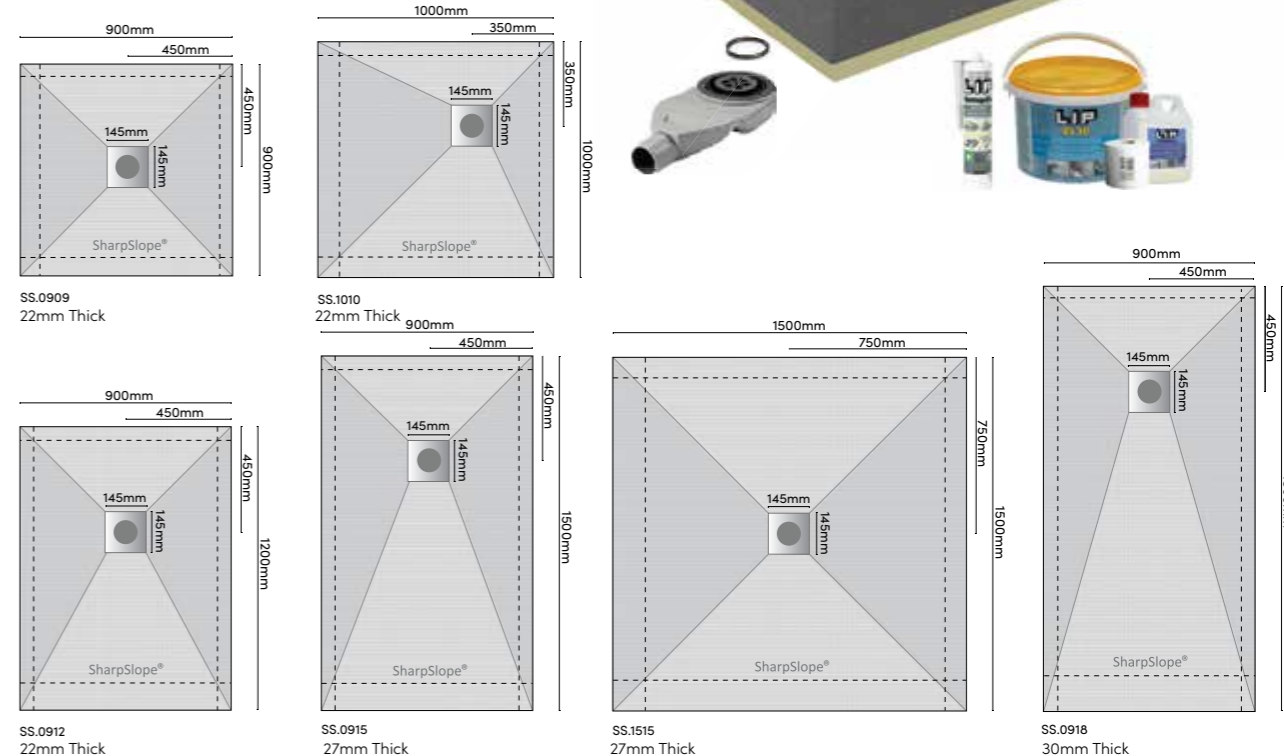
Kit Size	Tile Line No Visible Frame Order Ref	NEW NO VISIBLE METAL TRIM		Steel Panel		Black Panel		Brass Panel		Nickel Panel		Bronze Panel	
		RRP EX VAT	Tile Insert & Order Ref	RRP EX VAT	Tile Insert & Order Ref	RRP EX VAT	Tile Insert & Order Ref	RRP EX VAT	Tile Insert & Order Ref	RRP EX VAT	Tile Insert & Order Ref	RRP EX VAT	Tile Insert & Order Ref
800 x 1200	SL.0812TL	€800.00	SL.0812SS	€800.00	SL.0812BL	€1,370.00	SL.0812BS	€1,332.00	SL.0812NI	€1,332.00	SL.0812BZ	€1,332.00	
900 x 1200	SL.0912TL	€877.00	SL.0912SS	€877.00	SL.0912BL	€1,520.00	SL.0912BS	€1,480.00	SL.0912NI	€1,480.00	SL.0912BZ	€1,480.00	
1000 x 1000	SL.1010TL	€865.00	SL.1010SS	€865.00	SL.1010BL	€1,503.00	SL.1010BS	€1,463.00	SL.1010NI	€1,463.00	SL.1010BZ	€1,463.00	
1200 x 1200	SL.1212TL	€968.00	SL.1212SS	€968.00	SL.1212BL	€1,629.00	SL.1212BS	€1,589.00	SL.1212NI	€1,589.00	SL.1212BZ	€1,589.00	
900 x 1500	SL.0915TL	€937.00	SL.0915SS	€937.00	SL.0915BL	€1,592.00	SL.0915BS	€1,552.00	SL.0915NI	€1,552.00	SL.0915BZ	€1,552.00	
1500 x 900	SL.1509TL	€937.00	SL.1509SS	€937.00	SL.1509BL	€1,592.00	SL.1509BS	€1,552.00	SL.1509NI	€1,552.00	SL.1509BZ	€1,552.00	
1000 x 1800	SL.1018TL	€1,080.00	SL.1018SS	€1,080.00	SL.1018BL	€1,765.00	SL.1018BS	€1,725.00	SL.1018NI	€1,725.00	SL.1018BZ	€1,725.00	
1800 x 1200	SL.1812TL	€1,192.00	SL.1812SS	€1,192.00	SL.1812BL	€1,898.00	SL.1812BS	€1,858.00	SL.1812NI	€1,858.00	SL.1812BZ	€1,858.00	



SharpSlope® | Square

Kit Includes

- Integrated Drain
- Ultra Shallow Outlet
- 32 Litres Per Minute
- Preformed Wetroom Tray
- Waterproofing Kit



Can Be Trimmed

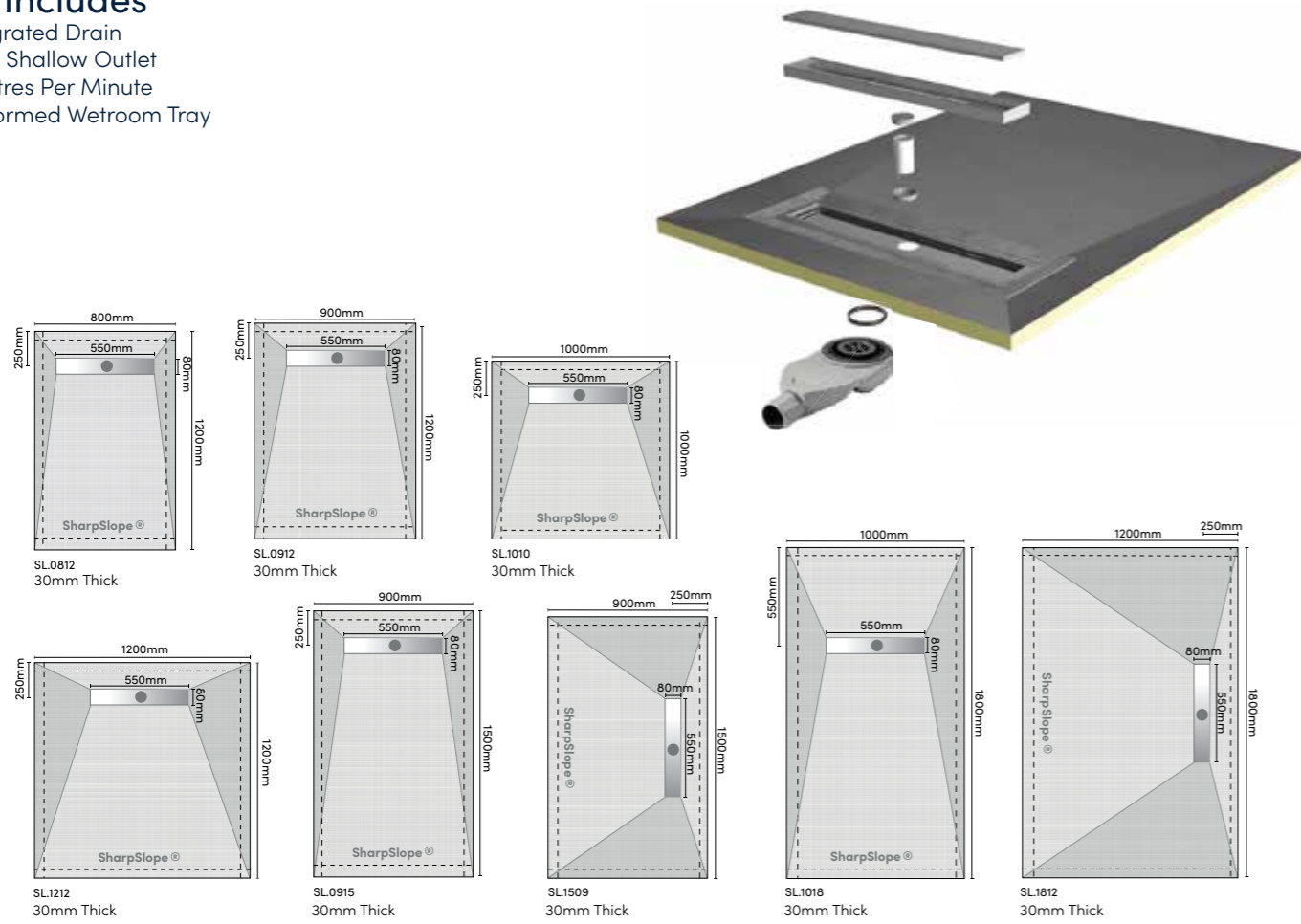
Kit Size	Frame & Grate Order Ref	RRP EX VAT	NEW NO VISIBLE METAL TRIM		RRP EX VAT	Tile Insert & Order Ref	RRP EX VAT	Tile Insert & Order Ref	RRP EX VAT	Tile Insert & Order Ref	RRP EX VAT	Tile Insert & Order Ref	RRP EX VAT	Tile Insert & Order Ref
			Tile Line No Visible Frame Kit Order Ref	RRP EX VAT										
900 x 900	SS.0909FG	€476.00	SS.0909TL	€509.00	SS.0909SS	€509.00	SS.0909BL	€1,005.00	SS.0909BS	€979.00	SS.0909NI	€979.00	SS.0909BZ	€979.00
900 x 1200	SS.0912FG	€501.00	SS.0912TL	€533.00	SS.0912SS	€533.00	SS.0912BL	€1,033.00	SS.0912BS	€1,008.00	SS.0912NI	€1,008.00	SS.0912BZ	€1,008.00
900 x 1500	SS.0915FG	€565.00	SS.0915TL	€597.00	SS.0915SS	€597.00	SS.0915BL	€1,110.00	SS.0915BS	€1,082.00	SS.0915NI	€1,082.00	SS.0915BZ	€1,082.00
1000 x 1000	SS.1010FG	€486.00	SS.1010TL	€518.00	SS.1010SS	€518.00	SS.1010BL	€1,015.00	SS.1010BS	€990.00	SS.1010NI	€990.00	SS.1010BZ	€990.00
1500 x 1500	SS.1515FG	€998.00	SS.1515TL	€1,029.00	SS.1515SS	€1,029.00	SS.1515BL	€1,847.00	SS.1515BS	€1,823.00	SS.1515NI	€1,823.00	SS.1515BZ	€1,823.00
900 x 1800	SS.0918FG	€661.00	SS.0918TL	€693.00	SS.0918SS	€693.00	SS.0918BL	€1,224.00	SS.0918BS	€1,198.00	SS.0918NI	€1,198.00	SS.0918BZ	€1,198.00



SharpSlope® | Linear (Without Waterproofing Kit)

Kit Includes

- Integrated Drain
- Ultra Shallow Outlet
- 32 Litres Per Minute
- Preformed Wetroom Tray



Can Be Trimmed

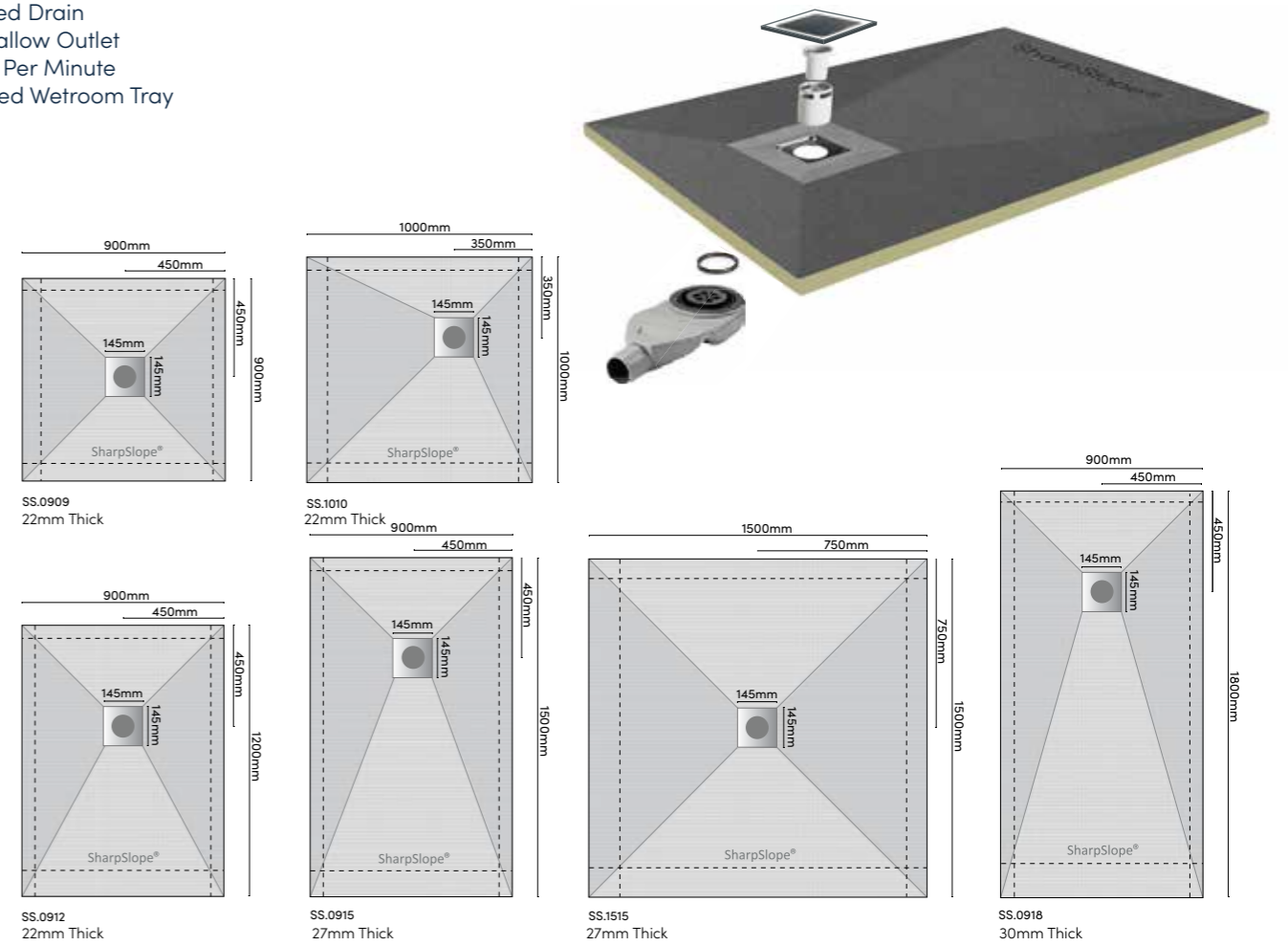
Kit Size	Tile Line No Visible Frame Order Ref	NEW NO VISIBLE METAL TRIM		Tile Insert & Steel Panel		Tile Insert & Black Panel		Tile Insert & Brass Panel		Tile Insert & Nickel Panel		Tile Insert & Bronze Panel	
		RRP EX VAT	RRP EX VAT	RRP EX VAT	RRP EX VAT	RRP EX VAT	RRP EX VAT	RRP EX VAT	RRP EX VAT	RRP EX VAT	RRP EX VAT		
800 x 1200	SL.0812TLNT	€692.00	€692.00	SL.0812SSNT	€692.00	SL.0812BLNT	€1,256.00	SL.0812BSNT	€1,221.00	SL.0812NINT	€1,221.00	SL.0812BZNT	€1,221.00
900 x 1200	SL.0912TLNT	€765.00	€765.00	SL.0912SSNT	€765.00	SL.0912BLNT	€1,407.00	SL.0912BSNT	€1,367.00	SL.0912NINT	€1,367.00	SL.0912BZNT	€1,367.00
1000 x 1000	SL.1010TLNT	€752.00	€752.00	SL.1010SSNT	€752.00	SL.1010BLNT	€1,391.00	SL.1010BSNT	€1,351.00	SL.1010NINT	€1,351.00	SL.1010BZNT	€1,351.00
1200 x 1200	SL.1212TLNT	€855.00	€855.00	SL.1212SSNT	€855.00	SL.1212BLNT	€1,517.00	SL.1212BSNT	€1,476.00	SL.1212NINT	€1,476.00	SL.1212BZNT	€1,476.00
900 x 1500	SL.0915TLNT	€824.00	€824.00	SL.0915SSNT	€824.00	SL.0915BLNT	€1,480.00	SL.0915BSNT	€1,439.00	SL.0915NINT	€1,439.00	SL.0915BZNT	€1,439.00
1500 x 900	SL.1509TLNT	€824.00	€824.00	SL.1509SSNT	€824.00	SL.1509BLNT	€1,480.00	SL.1509BSNT	€1,439.00	SL.1509NINT	€1,439.00	SL.1509BZNT	€1,439.00
1000 x 1800	SL.1018TLNT	€968.00	€968.00	SL.1018SSNT	€968.00	SL.1018BLNT	€1,653.00	SL.1018BSNT	€1,612.00	SL.1018NINT	€1,612.00	SL.1018BZNT	€1,612.00
1800 x 1200	SL.1812TLNT	€1,080.00	€1,080.00	SL.1812SSNT	€1,080.00	SL.1812BLNT	€1,785.00	SL.1812BSNT	€1,745.00	SL.1812NINT	€1,745.00	SL.1812BZNT	€1,745.00



SharpSlope® | Square (Without Waterproofing Kit)

Kit Includes

- Integrated Drain
- Ultra Shallow Outlet
- 32 Litres Per Minute
- Preformed Wetroom Tray



Can Be Trimmed

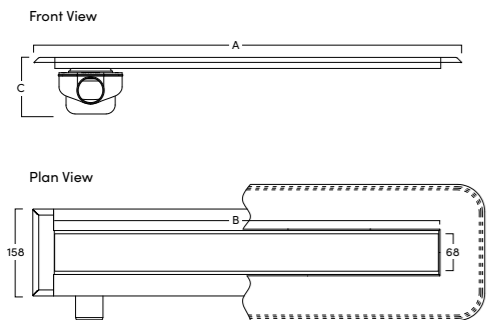
Kit Size	Frame & Grate Order Ref	RRP EX VAT	NEW NO VISIBLE METAL TRIM		Tile Insert & Steel Panel Order Ref	RRP EX VAT	Tile Insert & Black Panel Order Ref	RRP EX VAT	Tile Insert & Brass Panel Order Ref	RRP EX VAT	Tile Insert & Nickel Panel Order Ref	RRP EX VAT	Tile Insert & Bronze Panel Order Ref	RRP EX VAT
			Tile Line No Visible Frame Order Ref	RRP EX VAT										
900 x 900	SS.0909FGNT	€364.00	SS.0909TLNT	€397.00	SS.0909SSNT	€397.00	SS.0909BLNT	€892.00	SS.0909BSNT	€867.00	SS.0909NINT	€867.00	SS.0909BZNT	€867.00
900 x 1200	SS.0912FGNT	€389.00	SS.0912TLNT	€421.00	SS.0912SSNT	€421.00	SS.0912BLNT	€920.00	SS.0912BSNT	€896.00	SS.0912NINT	€896.00	SS.0912BZNT	€896.00
900 x 1500	SS.0915FGNT	€453.00	SS.0915TLNT	€485.00	SS.0915SSNT	€485.00	SS.0915BLNT	€998.00	SS.0915BSNT	€970.00	SS.0915NINT	€970.00	SS.0915BZNT	€970.00
1000 x 1000	SS.1010FGNT	€373.00	SS.1010TLNT	€405.00	SS.1010SSNT	€405.00	SS.1010BLNT	€903.00	SS.1010BSNT	€878.00	SS.1010NINT	€878.00	SS.1010BZNT	€878.00
1500 x 1500	SS.1515FGNT	€885.00	SS.1515TLNT	€917.00	SS.1515SSNT	€917.00	SS.1515BLNT	€1,735.00	SS.1515BSNT	€1,710.00	SS.1515NINT	€1,710.00	SS.1515BZNT	€1,710.00
900 x 1800	SS.0918FGNT	€548.00	SS.0918TLNT	€580.00	SS.0918SSNT	€580.00	SS.0918BLNT	€1,112.00	SS.0918BSNT	€1,086.00	SS.0918NINT	€1,086.00	SS.0918BZNT	€1,086.00



SharpDrain® Pro | Linear (no visible metal trim)

Kit Includes

- Drain
- Ultra Shallow Outlet
- 32 Litres Per Minute
- Tile Base
- Factory Fitted Membrane



Offset Outlet

Model	Structural Length (A)	Visual Length (B)	Drain Depth (C)	Tile Line Order Ref	RRP EX VAT €
500	560	500	70	PSDTL.0500	€403.00
600	660	600	70	PSDTL.0600	€428.00
700	760	700	70	PSDTL.0700	€440.00
800	860	800	70	PSDTL.0800	€457.00
900	960	900	70	PSDTL.0900	€478.00
1000	1060	1000	70	PSDTL.1000	€500.00
1100	1160	1100	70	PSDTL.1100	€519.00
1200	1260	1200	70	PSDTL.1200	€542.00
1500	1560	1500	70	PSDTL.1500	€595.00

Centre Outlet

Model	Structural Length (A)	Visual Length (B)	Drain Depth (C)	Tile Line Order Ref	RRP EX VAT €
500	560	500	70	PSDTLC.0500	€403.00
600	660	600	70	PSDTLC.0600	€428.00
700	760	700	70	PSDTLC.0700	€440.00
800	860	800	70	PSDTLC.0800	€457.00
900	960	900	70	PSDTLC.0900	€478.00
1000	1060	1000	70	PSDTLC.1000	€500.00
1100	1160	1100	70	PSDTLC.1100	€519.00
1200	1260	1200	70	PSDTLC.1200	€542.00
1500	1560	1500	70	PSDTLC.1500	€595.00

Flex Outlet

Made to order.
Outlet position to suit your build.

Model	Structural Length (A)	Visual Length (B)	Drain Depth (C)	Tile Line Order Ref	RRP EX VAT €
500	560	500	70	PSDTLF.0500	€603.00
600	660	600	70	PSDTLF.0600	€628.00
700	760	700	70	PSDTLF.0700	€640.00
800	860	800	70	PSDTLF.0800	€657.00
900	960	900	70	PSDTLF.0900	€678.00
1000	1060	1000	70	PSDTLF.1000	€700.00
1100	1160	1100	70	PSDTLF.1100	€719.00
1200	1260	1200	70	PSDTLF.1200	€742.00
1500	1560	1500	70	PSDTLF.1500	€795.00

Wooden Floor Fitting Aid
Drain Model 500 - 900
Order Ref **WMPSD.WFIK.01**
RRP EX VAT **€95.00**

Wooden Floor Fitting Aid
Drain Model 1000 - 1500
Order Ref **WMPSD.WFIK.02**
RRP EX VAT **€115.00**

Vertical Outlet
55 Litres Per Min
50mm Water Seal
Order Ref **WMSLVO**
RRP EX VAT **€83.00**

Horizontal Outlet
48 Litres Per Min
50mm Water Seal
Order Ref **WMSLHO**
RRP EX VAT **€71.00**

Cleaning Hook To Lift Drain Cover & Trap
Order Ref **WM1840.0000**
RRP EX VAT **€21.00**

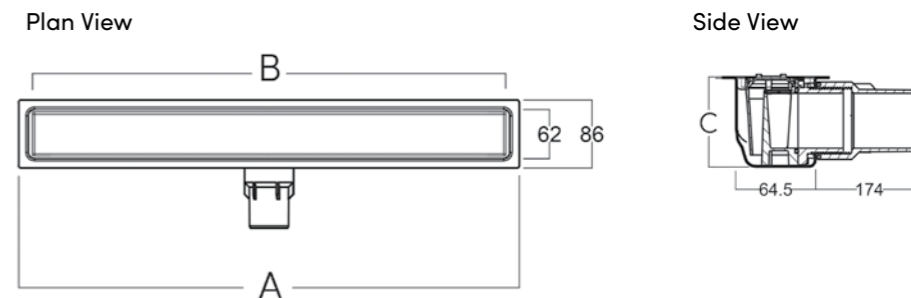
Wooden Floor Installation Kit
Order Ref **WMSDL.D.WFIK**
RRP EX VAT **€44.00**

Cleaning Hook To Lift Drain Cover & Trap
Order Ref **WM1840.0000**
RRP EX VAT **€21.00**

SharpDrain® | Linear

Kit Includes

- Drain
- Frame and Panel
- Factory Fitted Membrane



Drain Main Body



Factory Fitted Membrane

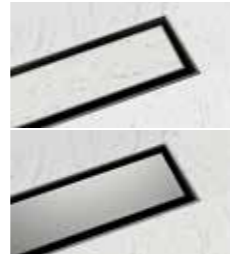
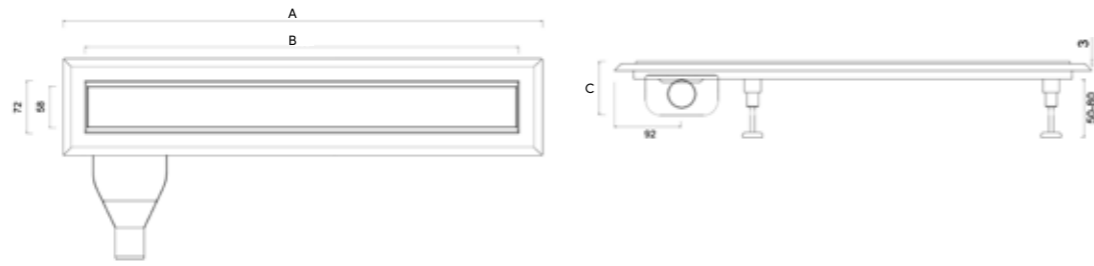


Model No.	Tile Line No Visible Frame Kit Order Ref	RRP EX VAT €	Tile Insert & Steel Panel Order Ref	RRP EX VAT €	Tile Insert & Black Panel Order Ref	RRP EX VAT €	Tile Insert & Brass Panel Order Ref	RRP EX VAT €	Tile Insert & Nickel Panel Order Ref	RRP EX VAT €	Tile Insert & Bronze Panel Order Ref	RRP EX VAT €
600	SDTL.0600	€428.00	SDTP.0600	€444.00	SDTP.0600BL	€761.00	SDTP.0600BS	€720.00	SDTP.0600NI	€720.00	SDTP.0600BZ	€720.00
700	SDTL.0700	€440.00	SDTP.0700	€466.00	SDTP.0700BL	€787.00	SDTP.0700BS	€745.00	SDTP.0700NI	€745.00	SDTP.0700BZ	€745.00
800	SDTL.0800	€457.00	SDTP.0800	€505.00	SDTP.0800BL	€812.00	SDTP.0800BS	€770.00	SDTP.0800NI	€770.00	SDTP.0800BZ	€770.00
900	SDTL.0900	€478.00	SDTP.0900	€515.00	SDTP.0900BL	€841.00	SDTP.0900BS	€801.00	SDTP.0900NI	€801.00	SDTP.0900BZ	€801.00
1000	SDTL.1000	€500.00	SDTP.1000	€538.00	SDTP.1000BL	€866.00	SDTP.1000BS	€827.00	SDTP.1000NI	€827.00	SDTP.1000BZ	€827.00
1200	SDTL.1200	€542.00	SDTP.1200	€582.00	SDTP.1200BL	€918.00	SDTP.1200BS	€877.00	SDTP.1200NI	€877.00	SDTP.1200BZ	€877.00

PourFlex® Pro | Linear

Kit Includes

- Drain
- Ultra Shallow Outlet
- 32 Litres Per Minute
- Frame and Panel/Insert
- Adjustable Installation Feet



Model No.	Structural Length (A)	Visual Length (B)	Drain Depth (C)	Drain Width (D)	Order Ref	RRP EX VAT €
500	562	500	70	164	PSDPF.0500	€580.00
600	662	600	70	164	PSDPF.0600	€644.00
700	762	700	70	164	PSDPF.0700	€695.00
800	862	800	70	164	PSDPF.0800	€795.00
900	962	900	70	164	PSDPF.0900	€842.00

Larger and bespoke sizes available on request



Vertical Outlet
55 Litres Per Min
50mm Water Seal
Order Ref
WMSLVO
RRP EX VAT
€83.00



Horizontal Outlet
48 Litres Per Min
50mm Water Seal
Order Ref
WMSLHO
RRP EX VAT
€71.00

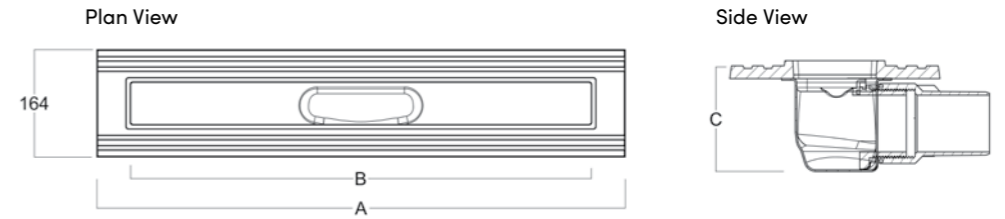


Cleaning Hook
To Lift Drain Cover
& Trap
Order Ref
WM1840.0000
RRP EX VAT
€21.00

PourFlex® | Linear

Kit Includes

- Drain
- Panel

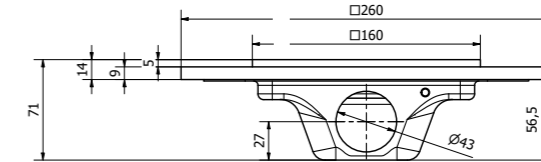


Model No.	Structural Length (A)	Visual Length (B)	Drain Depth (C)	Drain Width (D)	Order Ref	RRP EX VAT €
700	813	700	90	164	SDPF.0700	€695.00
800	913	800	90	164	SDPF.0800	€795.00
900	1013	900	90	164	SDPF.0900	€842.00

PourFlex® | Square

Kit Includes

- Drain
- Panel



Model No.	Structural Length (A)	Visual Length (B)	Drain Depth (C)	Drain Width (D)	Order Ref	RRP EX VAT €
260	260	150	71	260	SDPF.0150	€645.00



Wooden Floor
Installation Kit Glue &
Metal Plate
Order Ref
WMSDLW.FIK
RRP EX VAT
€44.00

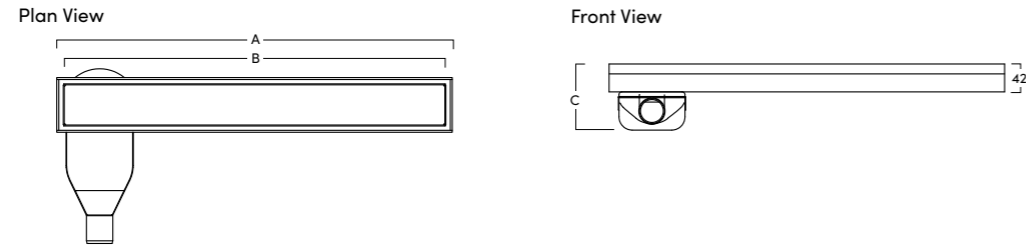


Cleaning Hook
To Lift Drain Cover
& Trap
Order Ref
WM1840.0000
RRP EX VAT
€21.00

SharpDrain® Pro | Polished Concrete

Kit Includes

Drain
Ultra Shallow Outlet 50mm
32 Litres Per Minute
Frame and Panel
Adjustable Installation Feet



Model No.	Structural Length (A)	Visual Length (B)	Drain Depth (C)	Order Ref	RRP EX VAT €
500	500	480	100	PSDPC.0500	€460.00
700	700	680	100	PSDPC.0700	€495.00
900	900	880	100	PSDPC.0900	€540.00



Vertical Outlet
55 Litres Per Min
50mm Water Seal
Order Ref
WMSLVO
RRP exVAT
€83.00



Horizontal Outlet
48 Litres Per Min
50mm Water Seal
Order Ref
WMSLHO
RRP exVAT
€71.00

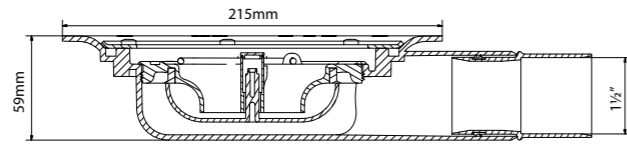


Cleaning Hook
To Lift Drain Cover
& Trap
Order Ref
WM1840.0000
RRP exVAT
€21.00

WM 59 | Centre Drain

Kit Includes

Drain
Frame and Grate



Model No.	Visual Length	Art Deco Grate Frame Order Ref	RRP EX VAT €	Classic Grate Frame Order Ref	RRP EX VAT €	Drop Grate Frame Order Ref	RRP EX VAT €
SDSD.0059	200x200	SDSD.0059AD	€260.00	SDSD.0059CL	€260.00	SDSD.0059DR	€260.00



Cleaning Hook
To Lift Drain Cover
& Trap
Order Ref
WM1840.0000
RRP EX VAT
€21.00



Wooden Floor
Mounting Set
To Support Drain
Order Ref
WMSD.MS
RRP EX VAT
€75.00

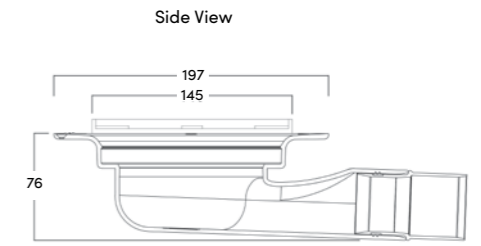
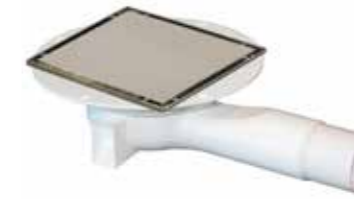


Cleaning Hook
To Lift Drain Cover
& Trap
Order Ref
WM1840.0000
RRP EX VAT
€21.00

SharpDrain® | Square

Kit Includes

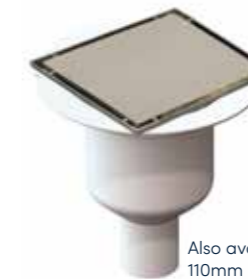
Drain
Panel



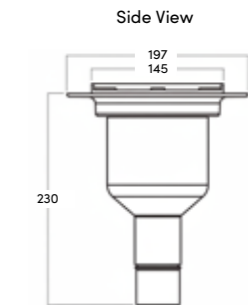
Frame & Grate Kit Order Ref	RRP EX VAT €	Tile Insert & Steel Panel Order Ref	RRP EX VAT €	Tile Insert & Black Panel Order Ref	RRP EX VAT €	Tile Insert & Brass Panel Order Ref	RRP EX VAT €	Tile Insert & Nickel Panel Order Ref	RRP EX VAT €	Tile Insert & Bronze Panel Order Ref	RRP EX VAT €
SDSD.0076FG	€109.00	SDSD.0076SS	€173.00	SDSD.0076BL	€438.00	SDSD.0076BS	€374.00	SDSD.0076NI	€374.00	SDSD.0076BZ	€374.00

Kit Includes

Drain
Panel

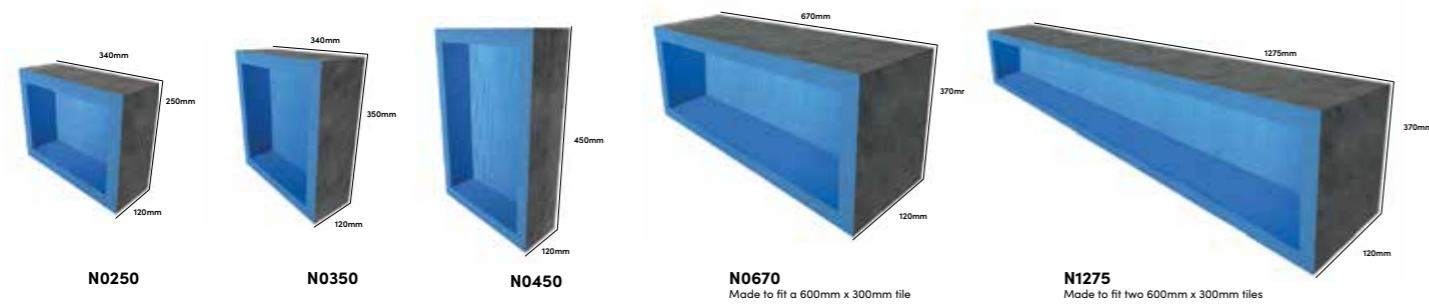


Also available in 110mm Pipework



Frame & Grate Order Ref	RRP EX VAT €	Tile Insert & Steel Panel Order Ref	RRP EX VAT €	Tile Insert & Black Panel Order Ref	RRP EX VAT €	Tile Insert & Brass Panel Order Ref	RRP EX VAT €	Tile Insert & Nickel Panel Order Ref	RRP EX VAT €	Tile Insert & Bronze Panel Order Ref	RRP EX VAT €
SDSD.0189FG	€122.00	SDSD.0189SS	€126.00	SDSD.0189BL	€450.00	SDSD.0189BS	€386.00	SDSD.0189NI	€386.00	SDSD.0189BZ	€386.00

Wall Niches



Product Code	External Dimensions	Internal Dimensions	RRP EX VAT €
N0250	250 x 340 x 120mm	190 x 280 x 110mm	€97.00
N0350	350 x 340 x 120mm	290 x 280 x 110mm	€103.00
N0450	450 x 340 x 120mm	390 x 280 x 110mm	€110.00
N0670	670 x 370 x 120mm	610 x 310 x 110mm	€220.00
N1275	1275 x 370 x 120mm	1215 x 310 x 110mm	€227.00

Waterproofing Systems



Product Name	Description	Order Reference	RRP EX VAT Per Kit
12kg VS30 Tanking Kit	Easy paint on application approved for wooden, cementitious, metal and plastic surfaces. Coverage up to 12m ² based on 0.58mm thickness. Kit contains liquid membrane, primer and 25m reinforcement tape. EC1 Plus Approved Low emissions	WMVS30.12K	€167.00



Product Name	Description	Order Reference	RRP EX VAT Per Kit
3kg Tanking Kit	Easy paint on application approved for wooden, cementitious, metal and plastic surfaces. Coverage up to 3m ² based on 0.58mm thickness. Kit contains liquid membrane, primer and 25m reinforcement tape. EC1 Plus Approved Low emissions	WMVS30.03K	€81.00



Product Name	Description	Order Reference	RRP EX VAT Per Kit
LIP Sheet Membrane	This is a 3 ply waterproof sheet membrane. It has high shear resistance and is fast to install with no drying time required before tiling. It can be installed with Lip 527 installation adhesive of 2 Component waterproofing paste and cement. Available as 1m x 5m Roll.	WMRD.05	€88.00

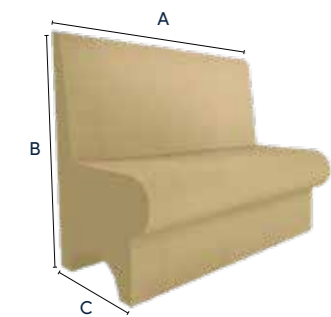


Product Name	Description	Order Reference	RRP EX VAT Per Kit
12kg VS30 Liquid Membrane	Easy paint on application approved for wooden, cementitious, metal and plastic surfaces. Coverage up to 12m ² based on 0.58mm thickness. To be used with LIP Primer 54 and reinforcement tape.	WMVS30.12	€133.00



Product Name	Description	Order Reference	RRP EX VAT Per Kit
3kg VS30 Liquid Membrane	Easy paint on application approved for wooden, cementitious, metal and plastic surfaces. Coverage up to 3m ² based on 0.58mm thickness. To be used with LIP Primer 54 and reinforcement tape.	WMVS30.03	€47.00

S-Bench® | Main Seat



COPENHAGEN SBCC12



OSLO SBOC12



STOCKHOLM SBSC12

Model No.	A Length	B Height	C Width	Sides Coated Order Ref	RRP EX VAT €	Sides Uncoated Order Ref	RRP EX VAT €
Copenhagen	1200mm	964mm	600mm	SBCC12	€1206.00	SBCU12	€959.00
Oslo	1200mm	445mm	500mm	SBOC12	€952.00	SBOU12	€704.00
Stockholm	1200mm	507mm	483mm	SBSC12	€1052.00	SBSU12	€804.00



Bench Installation Kit
Tile Adhesive, Glue,
Tanking Kit
WMSB.IK
RRP EX VAT
€165.00

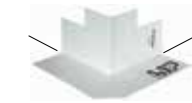
Extra Delivery Cost May Apply



Product Name	Description	Order Reference	RRP EX VAT Per Kit
Reinforcement Tape	Reinforcement tape to be used with LIPVS30 on all joints and around first fixes. 25 metres of tape.	WMT25	£17.00



Product Name	Description	Order Reference	RRP EX VAT Per Kit
Internal Corner Piece	LIP preformed reinforcement tape is used to secure the internal/external corners. This is used with LIP VS30.	WMICP	€11.00



External Corner Piece		WMECP	€11.00
-----------------------	--	-------	--------



Product Name	Description	Order Reference	RRP EX VAT
Primer 54	Priming of substrate before applying LIP VS30. Seals pores and binds dust. 1L Bottle.	WMPR54.01	€19.00



Product Name	Description	Order Reference	RRP EX VAT
Supergrund Primer	Special primer for when extra high adhesion is required and normal primer is not suitable. 3kg Tub.	WMPRSG.03	€32.00



Product Name	Description	Order Reference	RRP EX VAT
20kg Installation Adhesive	C2TE Adhesive. Used for sheet membrane, SharpSlope Tray and PureStep and tiling installation. EC1 Plus Approved.	WM527	€53.00



Product Name	Description	Order Reference	RRP EX VAT
10m Butyl Tape	Self adhesive waterproof tape with very strong adhesion. Can be used where RED Defence membrane meets the drain.	WMBT10	€72.00



Product Name	Description	Order Reference	RRP EX VAT
2 Component Waterproof Paste	Waterproof paste to apply sheet membrane. Use with Special Cement for faster curing. 5m2 Coverage when used with Special Cement.	WMWP2K.05	€92.00



Product Name	Description	Order Reference	RRP EX VAT
2 Component Special Cement	Mix with 2 Component Waterproofing Paste at 1:1 ratio for faster curing.	WMSC2K.05	€17.00



Product Name	Description	Order Reference	RRP EX VAT Per Board
SharpBoard® 6mm	Lightweight high-density construction board designed for wetrooms and bathrooms.	SB06M	€18.00
SharpBoard® 10mm	<ul style="list-style-type: none"> 1200 x 600mm Waterproof Insulation Properties improves heat retention Maximises underfloor heating performance Ideal for tiles, synthetic renders and decorative plaster 	SB10M	€20.00
SharpBoard® 12.5mm		SB12.5M	€23.00
SharpBoard® 20mm		SB20M	€26.00
SharpBoard® 30mm		SB30M	€32.00



Product Name	Description	Order Reference	RRP EX VAT
Galvanised Washers	35mm Galvanised Washers to mechanically fix SharpBoard® to walls and floors. 100 Washers per bag.	SBGW100	€25.00



Product Name	Description	Order Reference	RRP EX VAT
20kg Installation Adhesive	C2TE Adhesive. Used for sheet membrane, SharpSlope Tray and PureStep and tiling installation. EC1 Plus Approved.	WM527	€53.00



Product Name	Description	Order Reference	RRP EX VAT Per Kit
Construction Glue	High performance adhesion that is water resistant. Required to fill gaps smaller than 5mm around boards and to bond tile / stone to tile insert	WMCG	€28.00



Product Name	Description	Order Reference	RRP ex VAT Per Roll
PureStep Decoupling	Neutralises tension to reduce movement protecting floor tiles. Up to 70 dB acoustical reduction. 5, 10 and 20m roll options.	WMPS05	€121.00
1m x 10m		WMPS10	€187.00
1m x 20m		WMPS20	€321.00



Product Name	Description	Order Reference	RRP EX VAT Per Kit
Transparent Silicone	Highly elastic alcohol based silicone for sealing of wetroom joints.	WMTS	€20.00



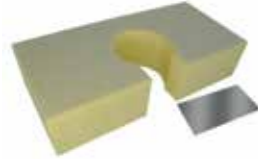
Product Name	Description	Order Reference	RRP EX VAT Per Kit
Wetroom Screed	For creating slopes in a wetroom. <ul style="list-style-type: none"> 20kg Bag Cement based, tension free and fibre reinforced screed Works from 2mm thickness Coverage 1.8kg per m2 at 1mm thickness 	WM226	€42.00

Extra Delivery Cost May Apply

Extra Delivery Cost May Apply



Product Name	Description	Order Reference	RRP EX VAT
SharpSlope® Fitting Aid For Low Profile Outlets	Preformed support allowing for faster installation compared to installer creating supports. The Fitting Aid is highly recommended as it is designed for the SharpSlope® drain and provides the support required under the SharpSlope tray and around the drain to reduce movement.	WMDFAL	€64.00



Product Name	Description	Order Reference	RRP EX VAT
SharpSlope® Fitting Aid For High Capacity Outlets	Preformed support allowing for faster installation compared to installer creating supports. The Fitting Aid is highly recommended as it is designed for the SharpSlope® drain and provides the support required under the SharpSlope tray and around the drain to reduce movement.	WMDFHA	€64.00



Product Name	Description	Order Reference	RRP EX VAT
SharpSlope® Installation Kit	A kit designed specifically for installing SharpSlope® on a concrete floor. It includes two 20kg bags of wetroom adhesive for installation of SharpSlope® and tiling. Two preformed internal corner pieces.	WMSSIK	€146.00



Product Name	Description	Order Reference	RRP EX VAT
Bench Installation Kit	A kit designed specifically for installing S-Bench®. It includes one 20kg bag of wetroom adhesive to bed bench to floor, glue to fit bench to base and waterproofing membrane and tape for joints.	WMSB.IK	€165.00

Product Name	Description	Order Reference	RRP EX VAT
SharpDrain® Pro Linear Wooden Floor Fitting Aid	For drain model 500 – 900. It includes four wooden supports to install under the drain, four flange supports to glue or screw the drain down into position. Cut to size where required. Glue for installation, two waterproofing internal corner pieces and a pipework reinforcement collar.	WMPSD.WFIK.01	€95.00

Product Name	Description	Order Reference	RRP EX VAT
SharpDrain® Pro Linear Wooden Floor Fitting Aid	For drain model 1000 – 1500. It includes four wooden supports to install under the drain, four flange supports to glue or screw the drain down into position. Cut to size where required. Glue for installation and two waterproofing internal corner pieces.	WMPSD.WFIK.02	€115.00

Product Name	Description	Order Reference	RRP EX VAT
SharpDrain® Linear Wooden Floor Installation Set	When installing on wooden floors, you may need to cut out part of the floor around the drain. This installation set covers the hole and provides support.	WMSDLD.WFIK	€44.00

Product Name	Description	Order Reference	RRP EX VAT
SharpDrain® Square Mounting Set	The mounting set makes installation on wooden floors easy. Screw the mounting set into the floor and screw the drain into the mounting set.	WMSD.MS	€75.00



Product Name	Description	Order Reference	RRP EX VAT
SharpDrain® and PourFlex Linear Trap	Replacement trap.	WMSD.LIRT	€44.00



Product Name	Description	Order Reference	RRP EX VAT
SharpDrain® Square trap	Replacement trap.	WMSD.SQRT	€45.00



Product Name	Description	Order Reference	RRP EX VAT
Sharp Collection® Linear Trap	Replacement trap for SharpSlope and SharpDrain Pro Linear Low Profile Outlet.	WMSC.LPRT	€44.00



Product Name	Description	Order Reference	RRP EX VAT
SharpSlope® Square Trap	Replacement trap for SharpSlope square low profile outlet.	WMSS.SSRT	€44.00



Product Name	Description	Order Reference	RRP EX VAT
Sharp Collection® Linear Low Profile Outlet and Trap	Low Profile outlet and trap set for SharpSlope and SharpDrain Pro Linear. 32 Litres Per Minute.	WMSLHOL	€71.00



Product Name	Description	Order Reference	RRP EX VAT
SharpSlope® Square Low Profile Outlet and Trap	Low Profile outlet and trap set for SharpSlope Square. 32 Litres per minute.	WMSSHOL	€71.00



Product Name	Description	Order Reference	RRP EX VAT
Sharp Collection® Linear High Capacity Outlet	Horizontal outlet and trap set for SharpSlope Linear / SharpDrain Pro Linear. 48 Litres per minute	WMSLHO	€71.00



Product Name	Description	Order Reference	RRP EX VAT
SharpSlope® Square High Capacity Outlet	Horizontal outlet and trap set for Square. 48 Litres per minute	WMSSHO	€71.00



Product Name	Description	Order Reference	RRP EX VAT
Sharp Collection® Linear Vertical Outlet and trap	Vertical outlet and trap set for SharpSlope Linear / SharpDrain Pro Linear. 55 Litres per minute	WMSLVO	€83.00



Product Name	Description	Order Reference	RRP EX VAT
SharpSlope® Square Vertical Outlet and trap	Vertical outlet and trap set for SharpSlope®. 50 Litres per minute	WMSSVO	€83.00



Product Name	Description	Order Reference	RRP EX VAT
Height Adjustable Installation Feet	Height adjustable installation feet for use with Low Profile Outlet. 50mm - 80mm	WMPSD.LPIF	€42.00



Product Name	Description	Order Reference	RRP EX VAT
Height Adjustable Installation Feet	Height adjustable installation feet for use with High Capacity Outlet. 80mm - 115mm	WMPSD.HCIF	€42.00



Product Name	Description	Order Reference	RRP EX VAT
Hook	To lift drain cover and trap to remove for cleaning and maintenance.	WM1840.0000	€21.00



Product Name	Description	Order Reference	RRP EX VAT
SharpSlope® Linear Tile Insert / Panel and Frame	Replacement Brushed Stainless Steel Tile Insert and Frame Set.	SL.0550.SS	€115.00



Product Name	Description	Order Reference	RRP EX VAT
SharpSlope® Square Frame and Grate	Replacement Stainless Steel Grate and Plastic Frame Set.	SD.0150.FG	€27.00



Product Name	Description	Order Reference	RRP EX VAT
SharpSlope® Square Tile Insert / Panel and Frame	Replacement Brushed Stainless Steel Tile Insert and Frame Set.	SD.0150.SS	€31.00



For SharpDrain® only.

Product Name	Order Reference	RRP EX VAT
SharpDrain® Linear Tile Insert and Panel	Linear Tile Insert and Panel	
	600 - SDTP.0600.FINISH.SS	€94.00
	700 - SDTP.0700.FINISH.SS	€98.00
	800 - SDTP.0800.FINISH.SS	€107.00
	900 - SDTP.0900.FINISH.SS	€109.00
	1000 - SDTP.1000.FINISH.SS	€113.00
1200 - SDTP.1200.FINISH.SS	€123.00	



For SharpDrain® only.

Product Name	Order Reference	RRP EX VAT
SharpDrain® Linear Tile Line	Linear Tile Line	
	600 - SDTL.0600.FINISH	€88.00
	700 - SDTL.0700.FINISH	€87.00
	800 - SDTL.0800.FINISH	€96.00
	900 - SDTL.0900.FINISH	€98.00
	1000 - SDTL.1000.FINISH	€102.00
1200 - SDTL.1200.FINISH	€112.00	



For SharpDrain® Pro only.

Product Name	Order Reference	RRP EX VAT
SharpDrain® Pro Linear Tile Insert and Panel	Linear Tile Insert and Panel	
	500 - PSDTP.0500.FINISH.SS	€91.00
	600 - PSDTP.0600.FINISH.SS	€94.00
	700 - PSDTP.0700.FINISH.SS	€98.00
	800 - PSDTP.0800.FINISH.SS	€107.00
	900 - PSDTP.0900.FINISH.SS	€109.00
	1000 - PSDTP.1000.FINISH.SS	€113.00
	1100 - PSDTP.1100.FINISH.SS	€117.00
	1200 - PSDTP.1200.FINISH.SS	€123.00
	1500 - PSDTP.1500.FINISH.SS	€127.00



For SharpDrain® Pro only.

Product Name	Order Reference	RRP EX VAT
SharpDrain® Linear Tile Line	Linear Tile Line	
	500 - PSDTL.0500.FINISH	€79.00
	600 - PSDTL.0600.FINISH	€88.00
	700 - PSDTL.0700.FINISH	€87.00
	800 - PSDTL.0800.FINISH	€96.00
	900 - PSDTL.0900.FINISH	€98.00
	1000 - PSDTL.1000.FINISH	€102.00
	1100 - PSDTL.1100.FINISH	€106.00
	1200 - PSDTL.1200.FINISH	€112.00
	1500 - PSDTL.1500.FINISH	€117.00



wm
wetroom materials

WM | Wetroom Materials

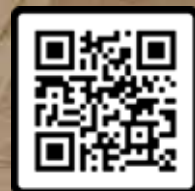
Unit E1
Ballymount Ind Est
Walkinstown
Dublin
Co. Dublin
D12 WR60
Ireland
+353 (0)1 297 3488

sales@wetroommaterials.com
www.wetroommaterials.com

WM | Wetroom Materials

Unit 3
Heritage Business Centre
Derby Road
Belper
Derbyshire
DE56 1SW
England
+44 (0) 1332 840 820

FOR UP TO DATE PRICE LIST



www.wetroommaterials.com/pricelist